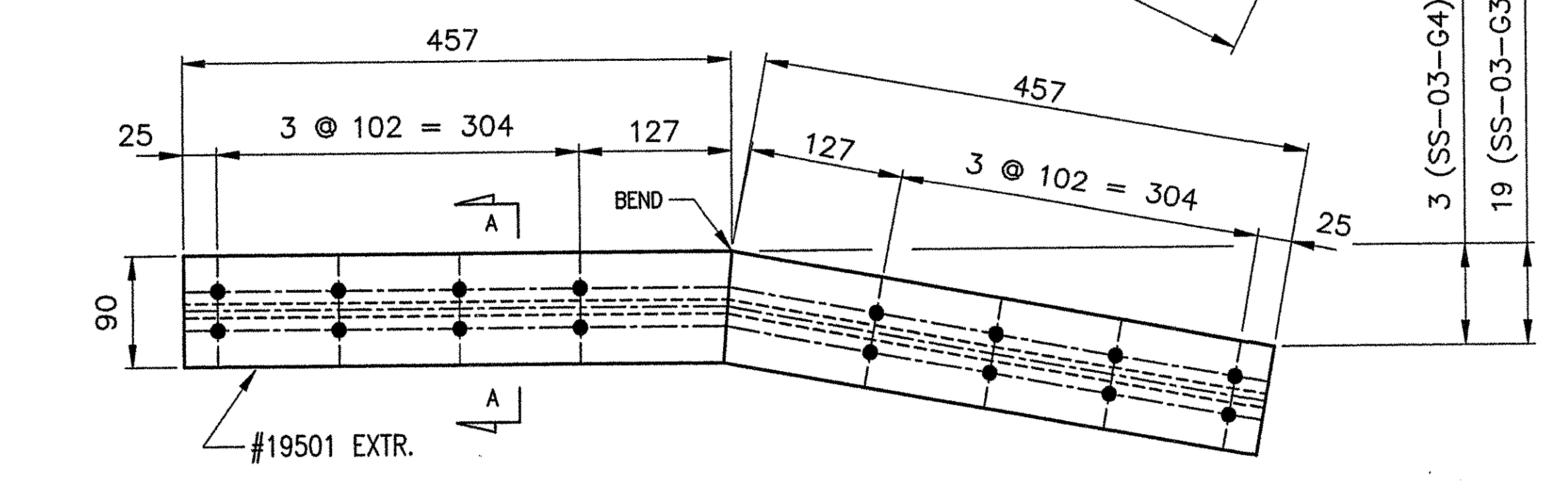
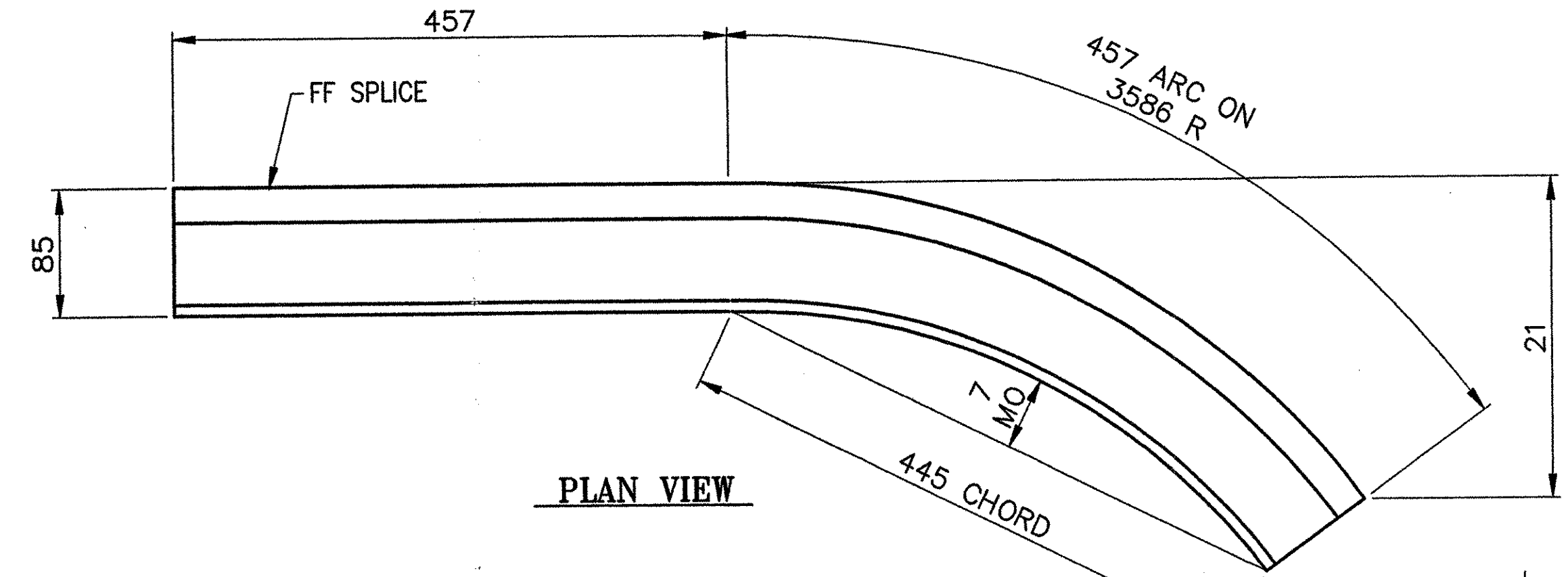
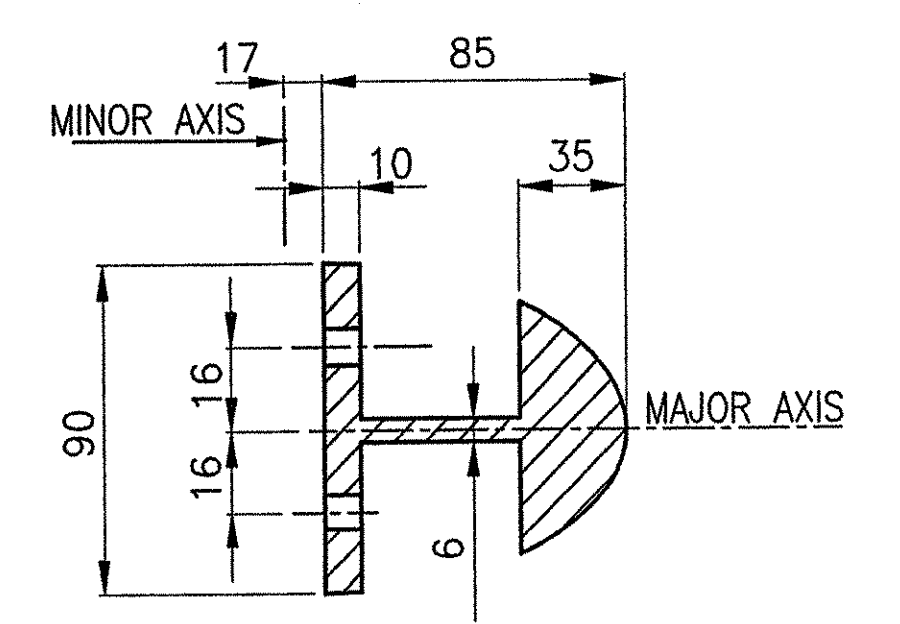


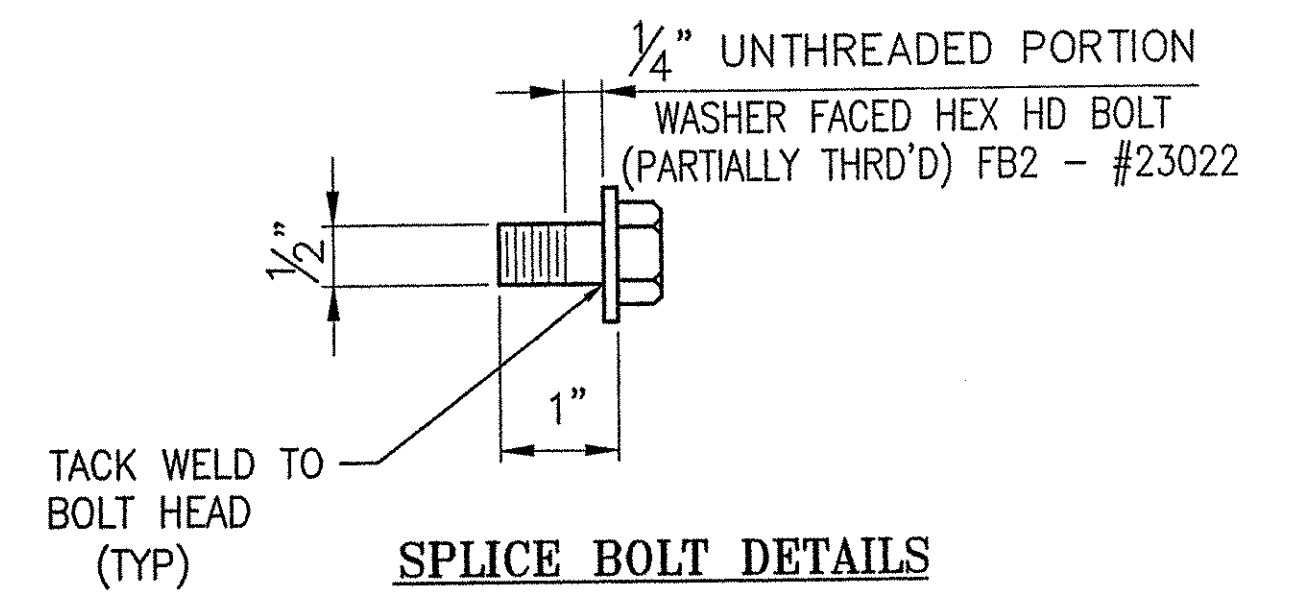
ONE ~ REQ'D BENT SPLICE SLEEVES SS-03-G6 (NE)
(BARRIER RAIL - BACK ELEV VIEW)
ONE ~ REQ'D BENT SPLICE SLEEVES SS-03-G7 (NE)
(BARRIER RAIL - BACK ELEV VIEW)



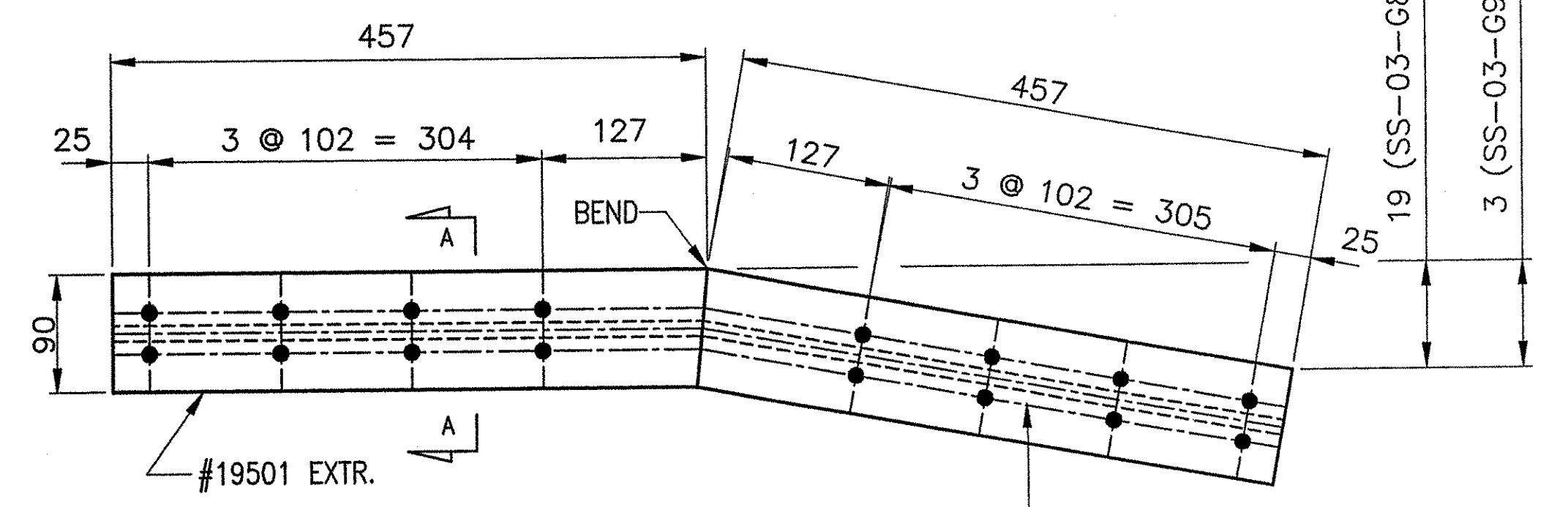
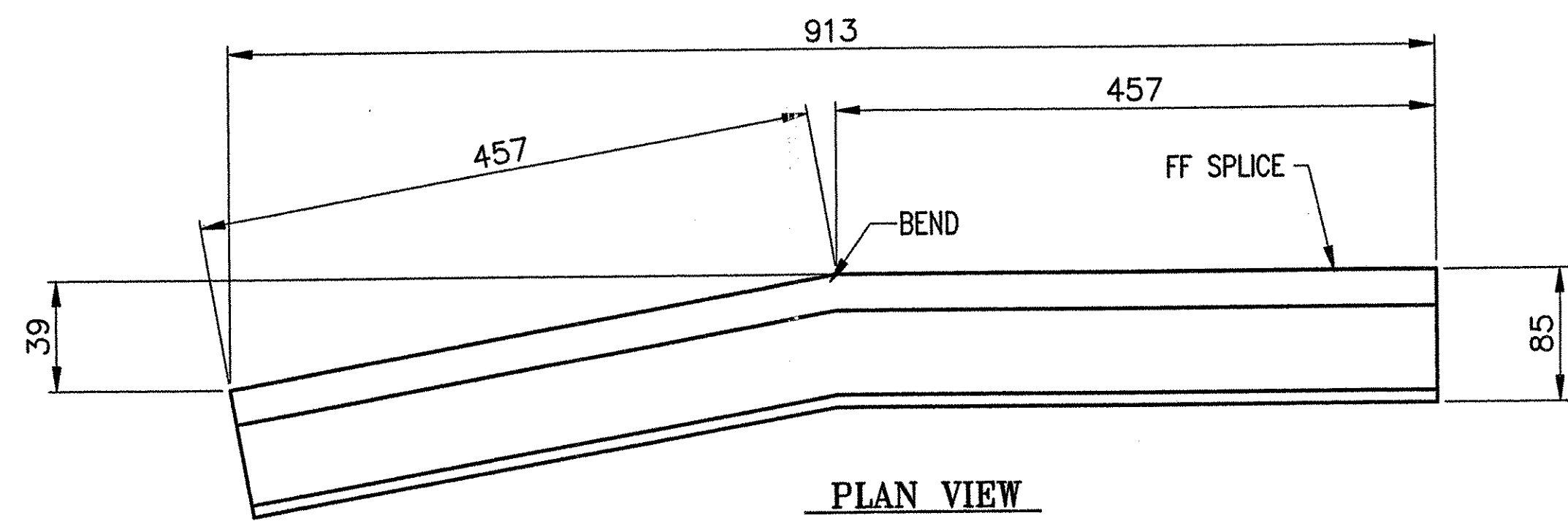
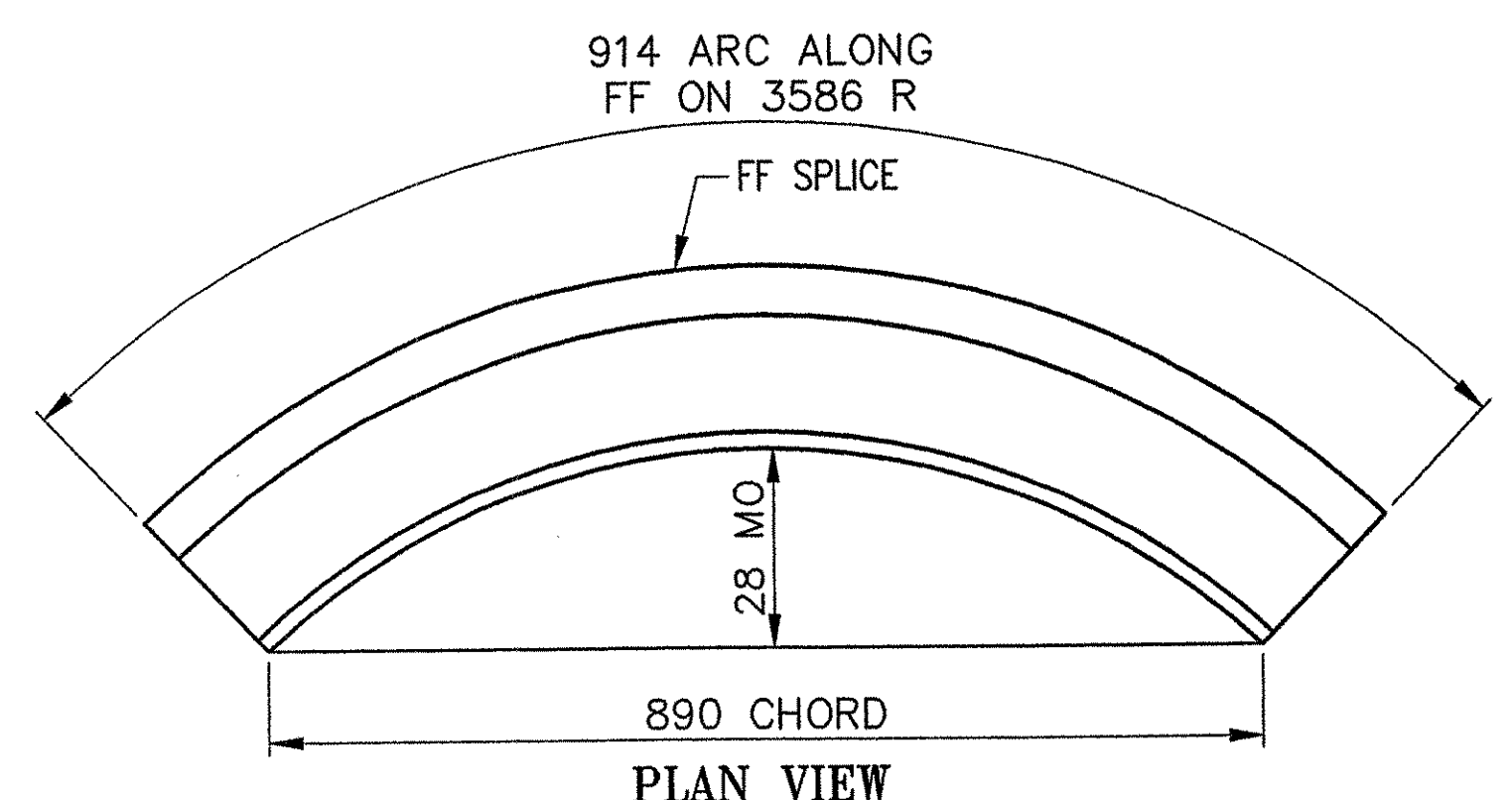
ONE ~ REQ'D BENT SPLICE SLEEVES SS-03-G3 (NW)
(BARRIER RAIL - BACK ELEV VIEW)
ONE ~ REQ'D BENT SPLICE SLEEVES SS-03-G4 (NW)
(BARRIER RAIL - BACK ELEV VIEW)



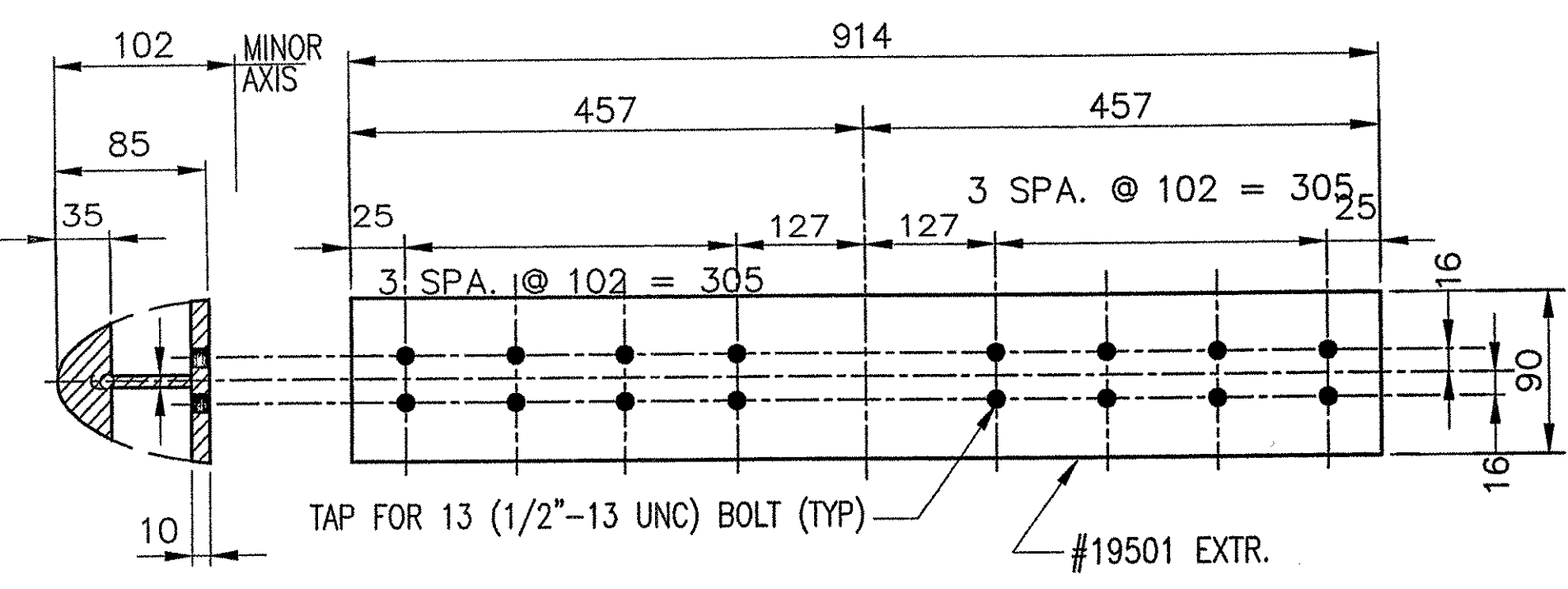
SECTION A-A



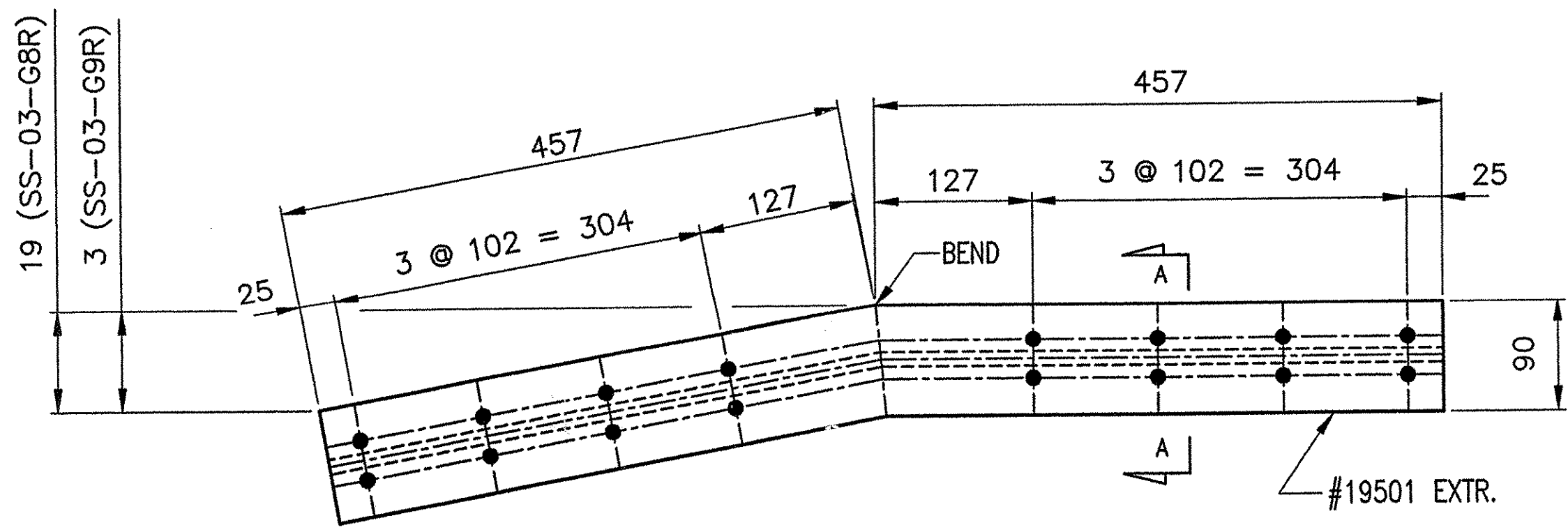
SPlice BOLT DETAILS



ONE ~ REQ'D BENT SPLICE SLEEVES SS-03-G8L (SE)
(BARRIER RAIL - BACK ELEV VIEW)
ONE ~ REQ'D BENT SPLICE SLEEVES SS-03-G9L (SE)
(BARRIER RAIL - BACK ELEV VIEW)



2 ~ REQ'D BENT SPLICE SLEEVES SS-03-G5 (NW)
(BARRIER RAIL - BACK ELEV VIEW)



ONE ~ REQ'D BENT SPLICE SLEEVES SS-03-G8R (SW)
(BARRIER RAIL - BACK ELEV VIEW)
ONE ~ REQ'D BENT SPLICE SLEEVES SS-03-G9R (SW)
(BARRIER RAIL - BACK ELEV VIEW)

DRILL AND TAP FOR 13 (1/2")-13UNC BOLT (16 REQ'D)

ANODIZED
(SEE LB1 FOR SPECIFICATIONS)

RECEIVED
CR'D BY: _____ CR'D BY: _____
FEB 23 2006
RESUBMIT: _____ APPROVED: _____
BY: *LB* DATE: *2/23/06*
ITEM No: 621.74

APPROVED: _____	REC'D APPROVAL _____
DRAWING _____	
L.B. FOSTER COMPANY	
1016 GREENTREE ROAD PITTSBURGH, PENNSYLVANIA 15220	
FOR: A. D. ROSSI CORPORATION VERMONT AGENCY OF TRANSPORTATION TOWN OF HARTLAND, COUNTY OF WINDSOR BRIDGE #60 - US RTE 5 OVER LULLS BROOK 3L ALUMINUM APPROACH ~ SPLICE DETAILS	
MADE CMS DATE 06/06/05 JOB No. ARO200 CUST. No.	CHECK Dd DATE 11/8/05 DRAWING LB14 REV. No.

REV.	DESCRIPTION	BY	DATE