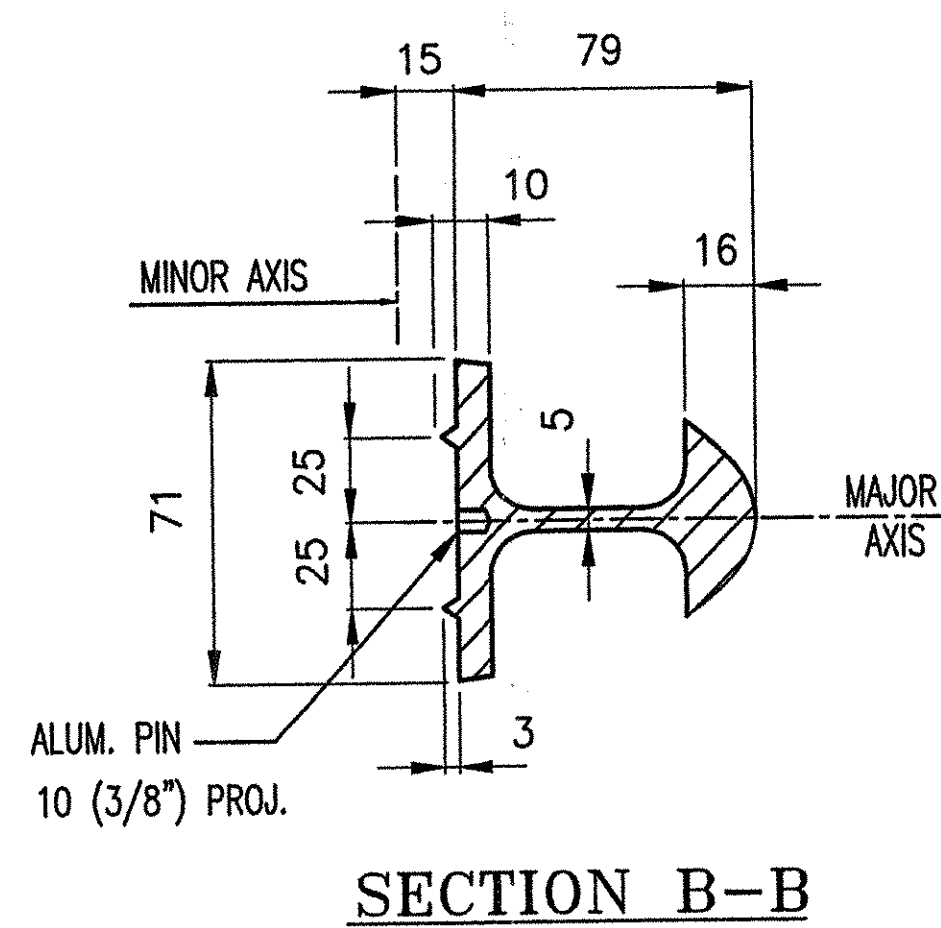
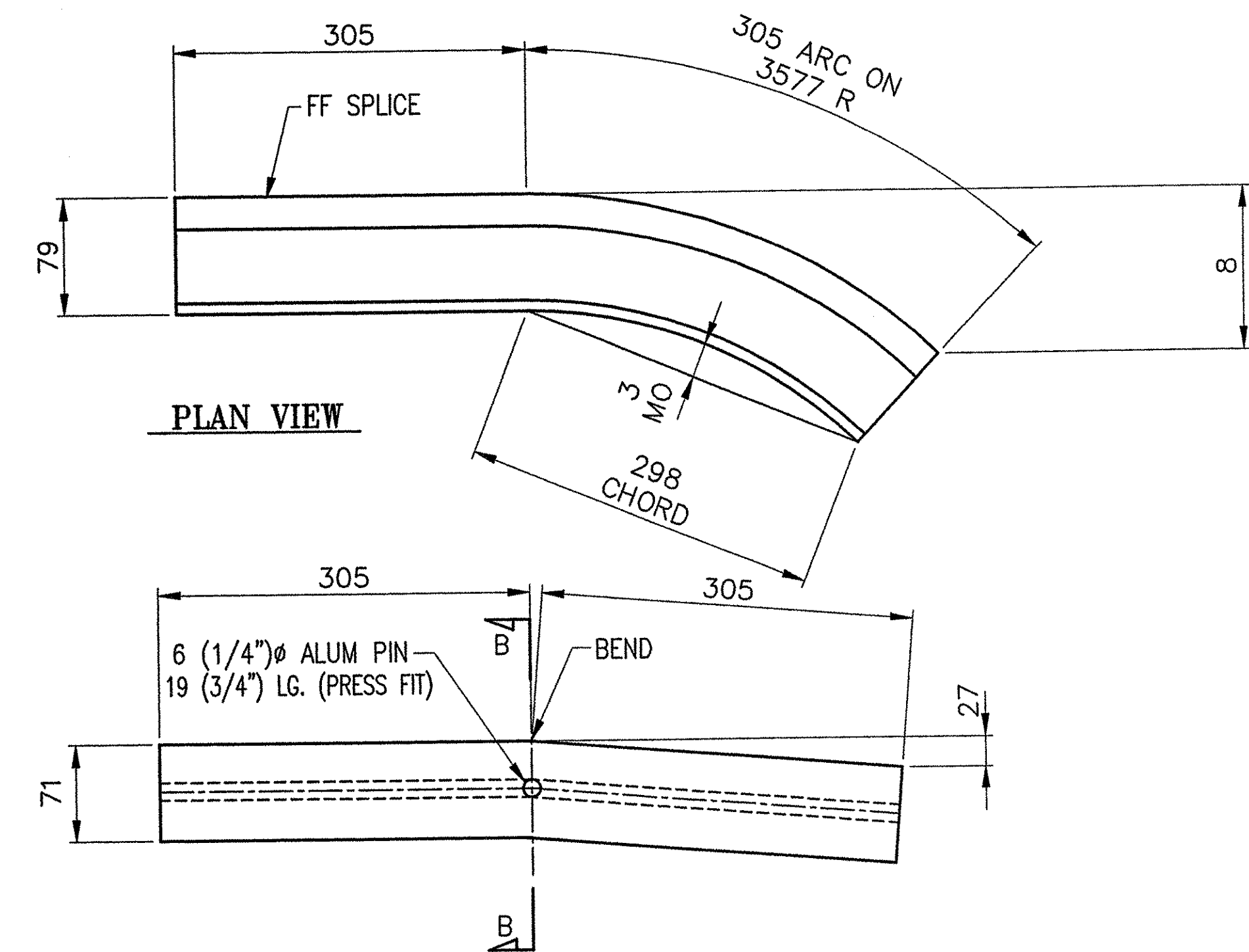


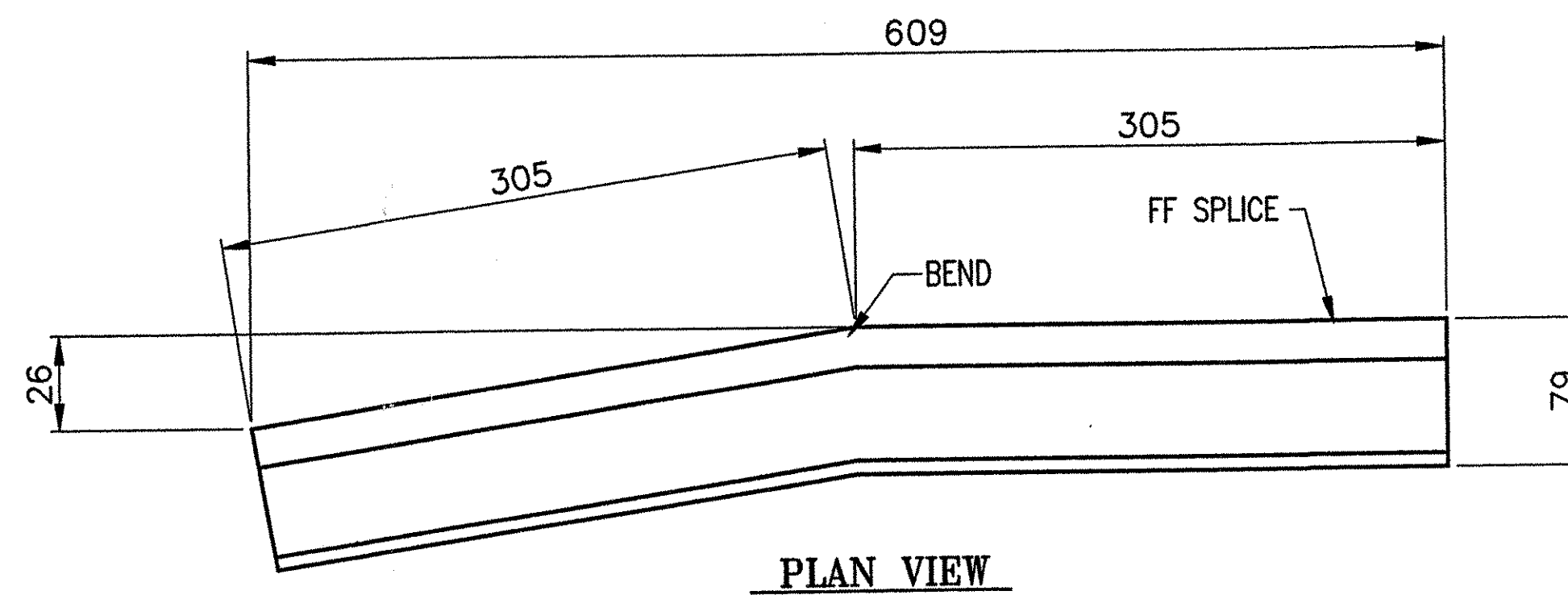
ONE REQ'D ~ HANDRAIL SPLICES 'SS-12-A2' (NE)  
w/ ALUM. PIN x 19 (BACK ELEVATION VIEW)  
#19497 EXTR., #14940 PIN



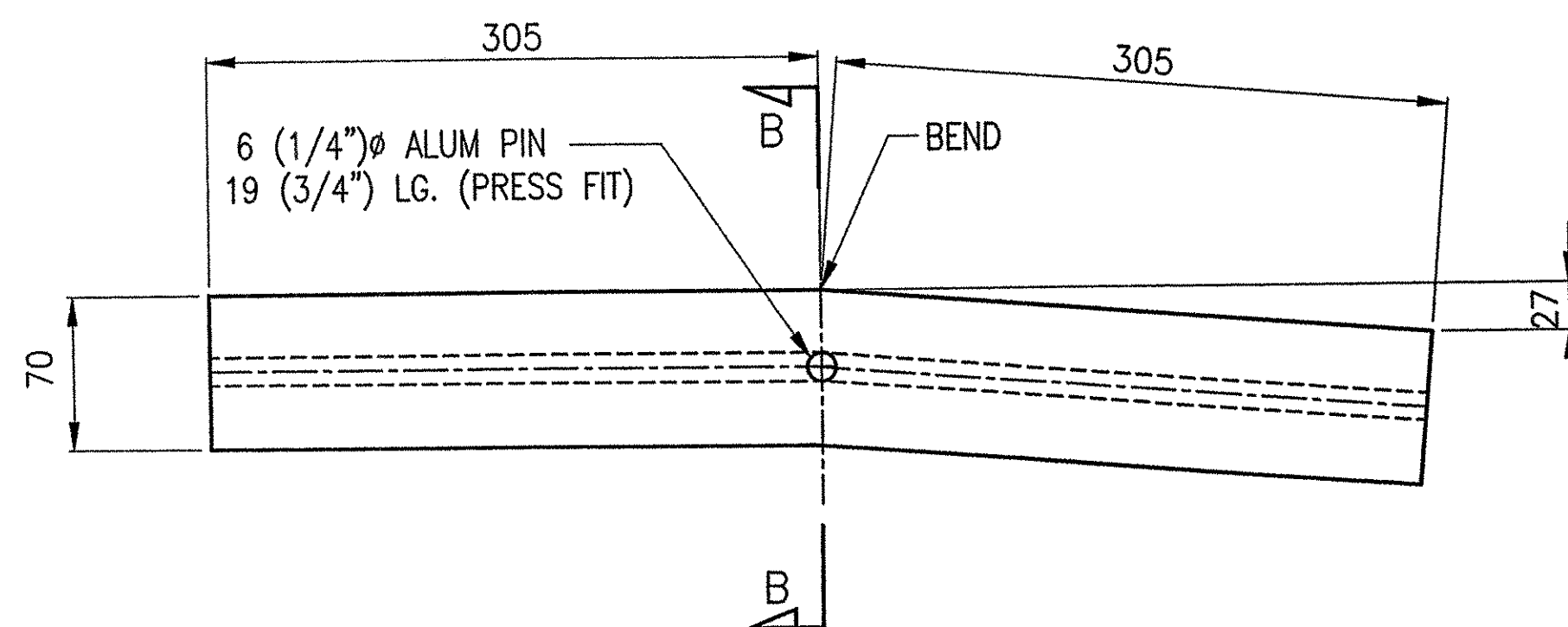
SECTION B-B



ONE REQ'D ~ HANDRAIL SPLICES 'SS-12-A1' (NW)  
w/ ALUM. PIN x 19 (BACK ELEVATION VIEW)  
#19497 EXTR., #14940 PIN



ONE REQ'D ~ HANDRAIL SPLICE 'SS-12-A3R' (SW)  
w/ ALUM. PIN x 19 (BACK ELEVATION VIEW)  
#19497 EXTR., #14940 PIN



ONE REQ'D ~ HANDRAIL SPLICE 'SS-12-A3L' (SE)  
w/ ALUM. PIN x 19 (BACK ELEVATION VIEW)  
#19497 EXTR., #14940 PIN

**ANODIZED**  
(SEE LB1 FOR SPECIFICATIONS)

RECEIVED  
CK'D BY: \_\_\_\_\_ CK'D BY: \_\_\_\_\_  
FEB 23 2006  
RESUBMIT: \_\_\_\_\_ APPROVED: \_\_\_\_\_  
BY: WJ DATE: 2/23/06

REV.	DESCRIPTION	BY	DATE

PROJ. No. BRS 0113 (22) ITEM No: 621.74

APPROVED: \_\_\_\_\_ REC'D APPROVAL \_\_\_\_\_  
DRAWING \_\_\_\_\_

**L.B. FOSTER COMPANY**  
1016 GREENTREE ROAD  
PITTSBURGH, PENNSYLVANIA 15220

FOR: A. D. ROSSI CORPORATION  
VERMONT AGENCY OF TRANSPORTATION  
TOWN OF HARTLAND, COUNTY OF WINDSOR  
BRIDGE #60 - US RTE 5 OVER LULLS BROOK  
3L ALUMINUM APPROACH ~ SPLICE DETAILS

MADE CMS DATE 06/02/05 JOB No. AR0200 CUST. No. \_\_\_\_\_  
CHECK Dd DATE 11/8/05 DRAWING LB13 REV. No. \_\_\_\_\_