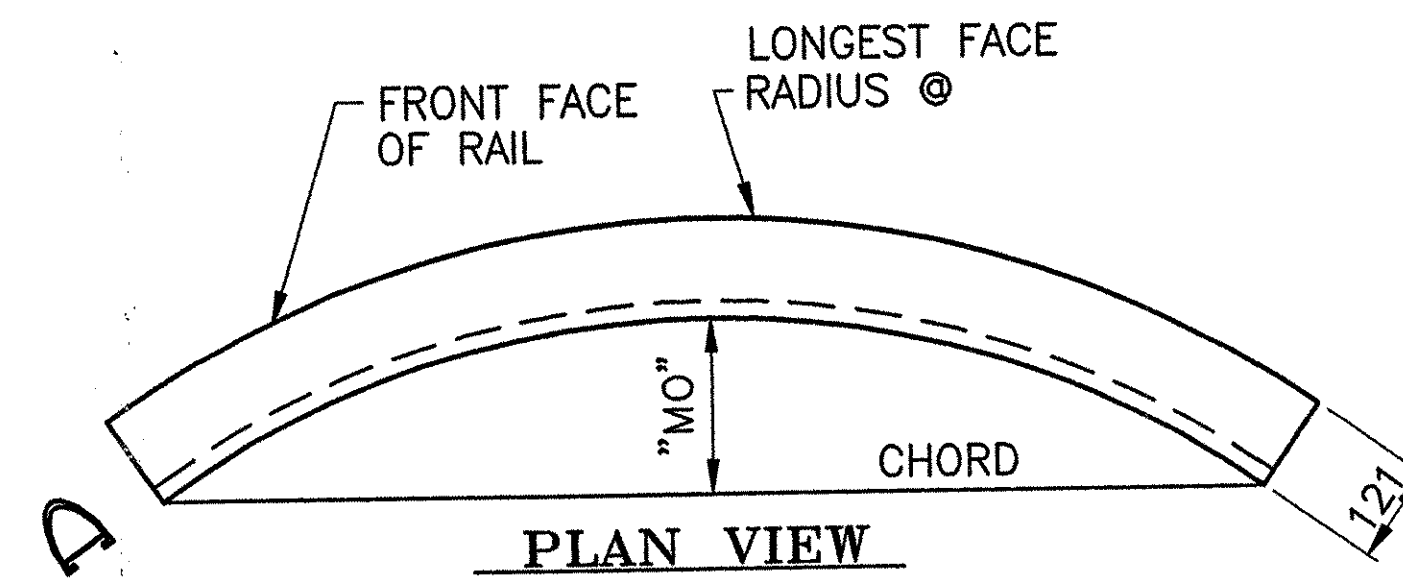
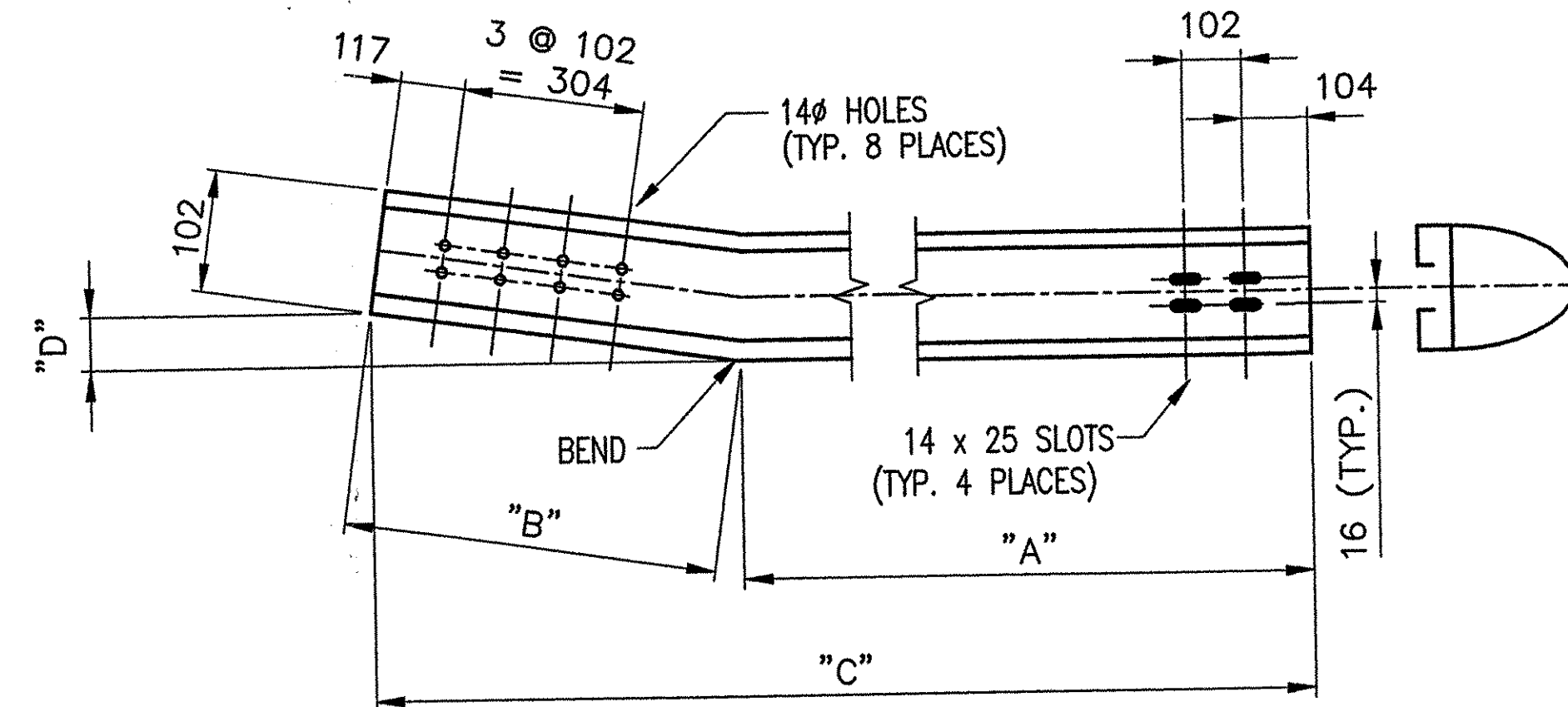


**ROADWAY BEND (RB) RAIL DETAIL**  
(PLAN VIEW)

RAIL MK.	QTY.	LENGTH ALONG FF RAILING	RADIUS @ FF RAIL	MO	CHORD	SLOT/HOLE DETAIL 'X'	SLOT/HOLE DETAIL 'Y'	LOCATION
TR1	1	3529	3581	414	3292	---	---	NW
MR1	1	6604	3600	1364	5525	DET. A	DET. A	NW
BR1	1	6604	3600	1364	5525	DET. A	DET. A	NW
TR2	1	3577	6481	242	3479	---	---	NE

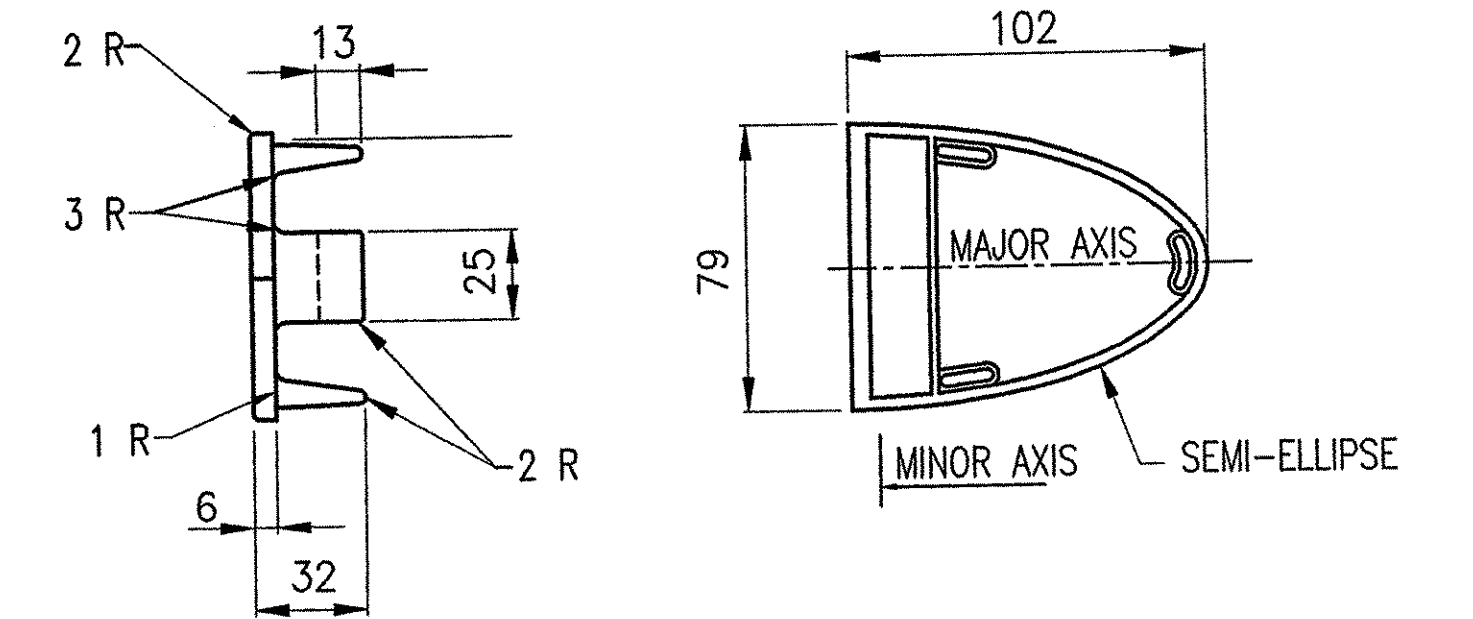


**COMPOUND BENT RAIL DETAIL**  
(PLAN VIEW)

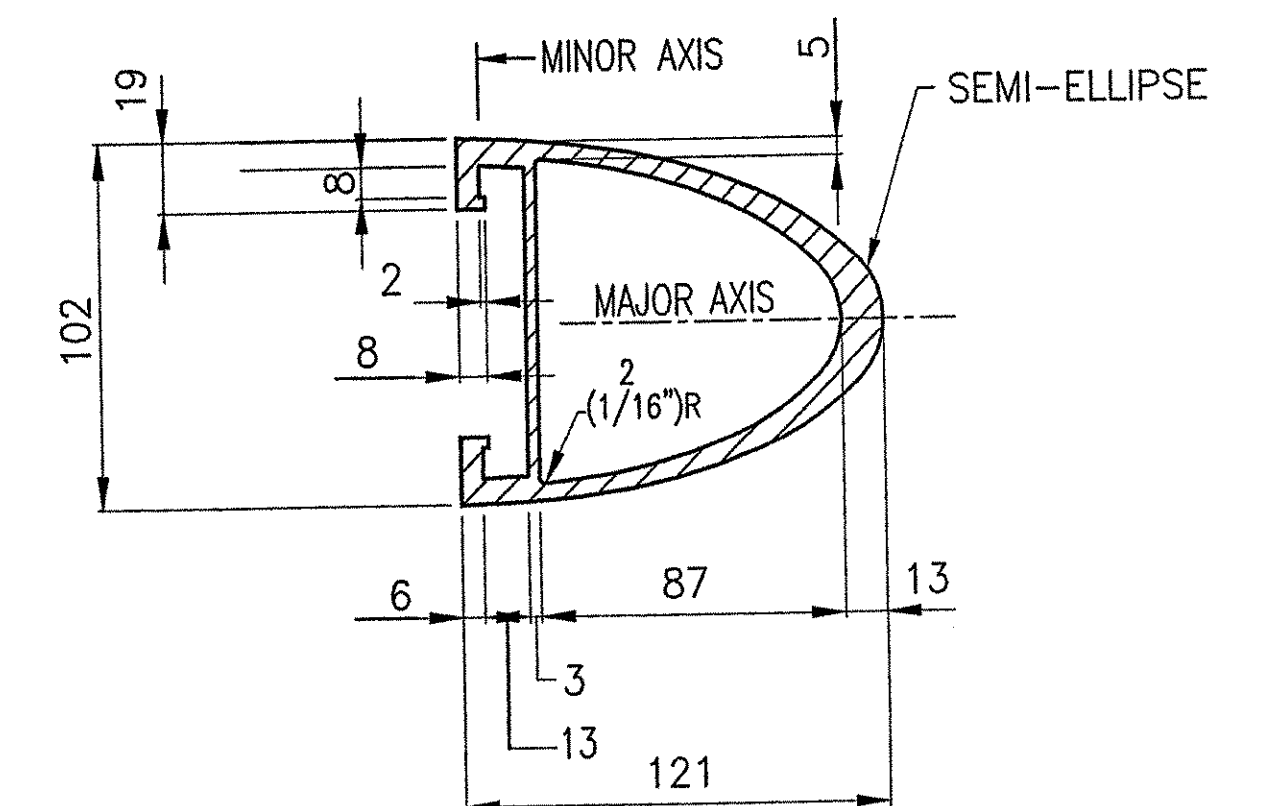


**COMPOUND BENT RAIL DETAIL**  
(BACK ELEVATION VIEW)

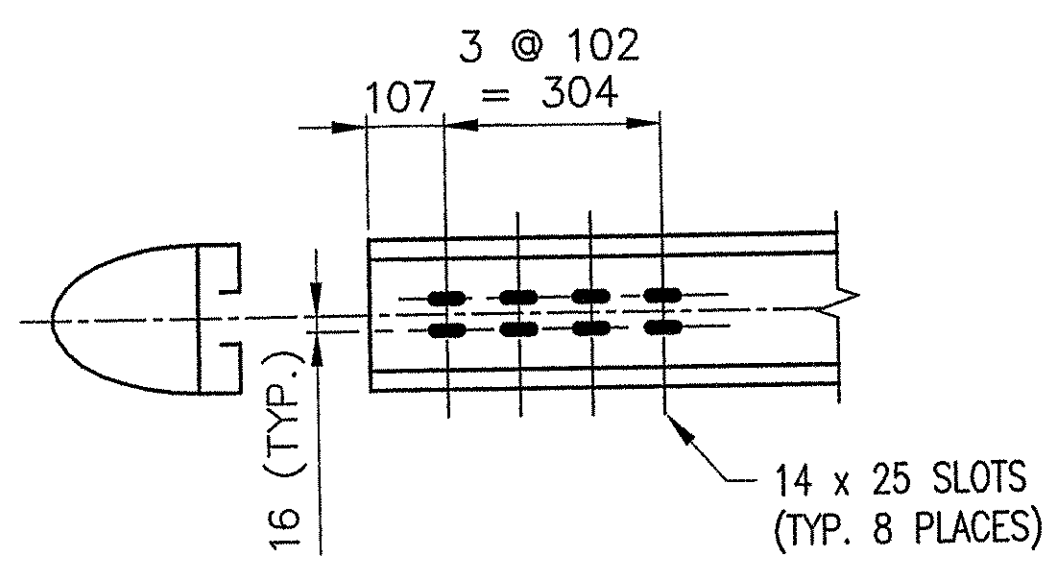
RAIL MK.	QTY.	LENGTH ALONG FF RAILING	RADIUS @ FF RAIL	MO	CHORD	"A"	"B"	"C"	"D"	LOCATION
MR4	1	4756	3600	732	4269	3801	956	4756	40	NW
BR4	1	4756	3600	732	4269	3800	956	4756	7	NW



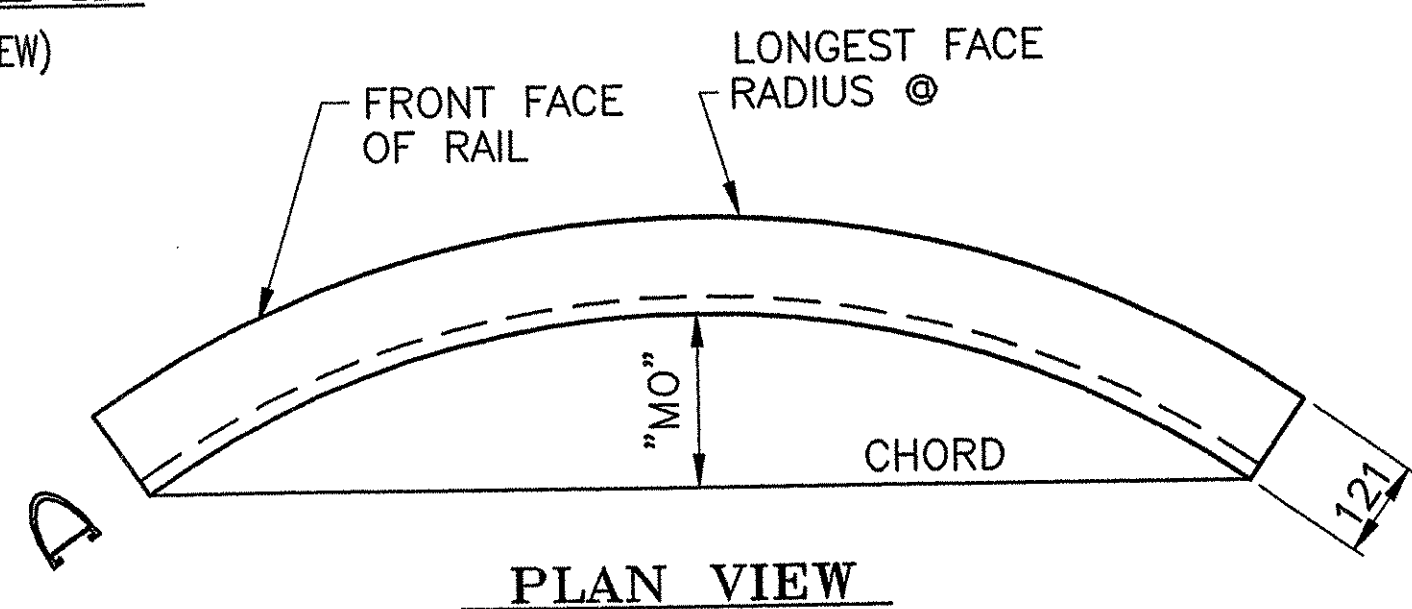
**4 ~ END CAPS 79 x 102 - EC1**  
#19344



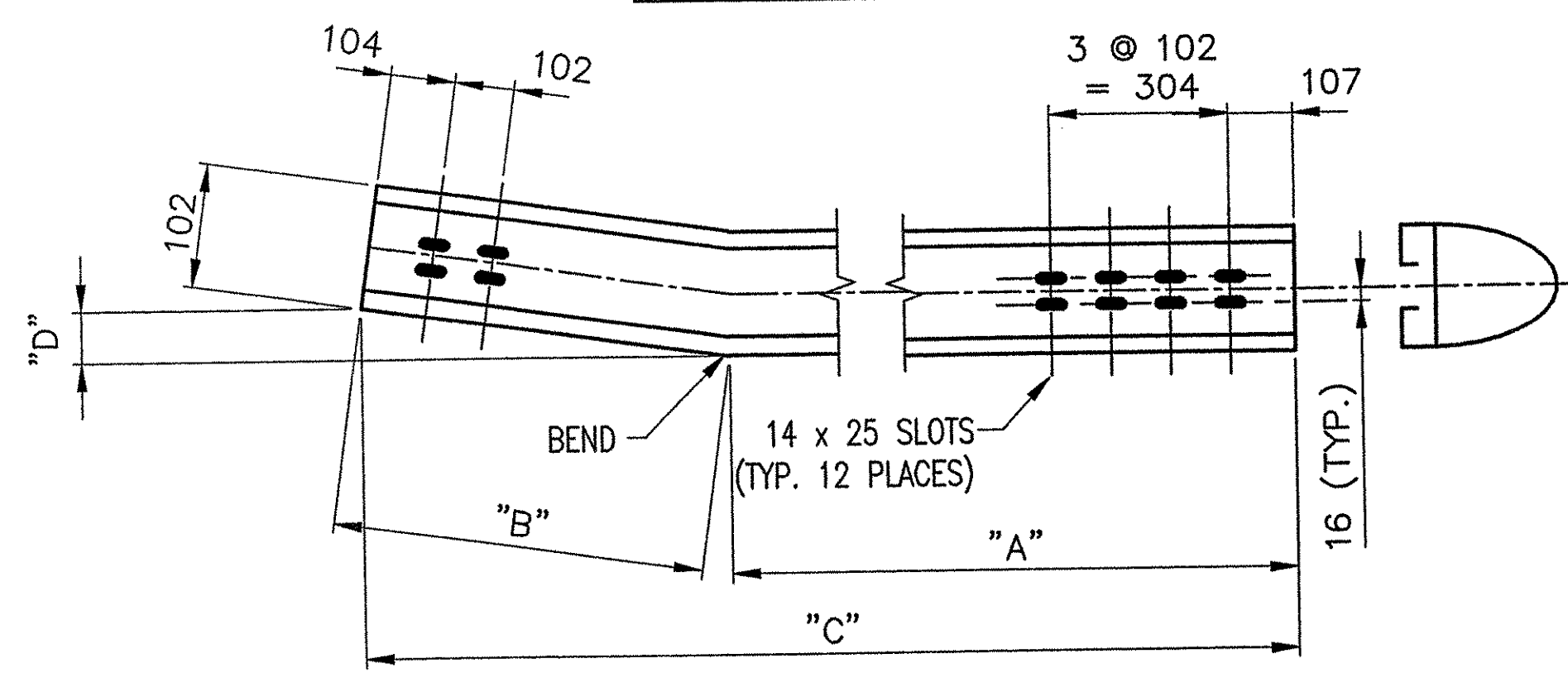
**TYP. BARRIER RAIL SECTION**  
#19466



**SLOT DETAIL A**  
(BACK ELEVATION VIEW)

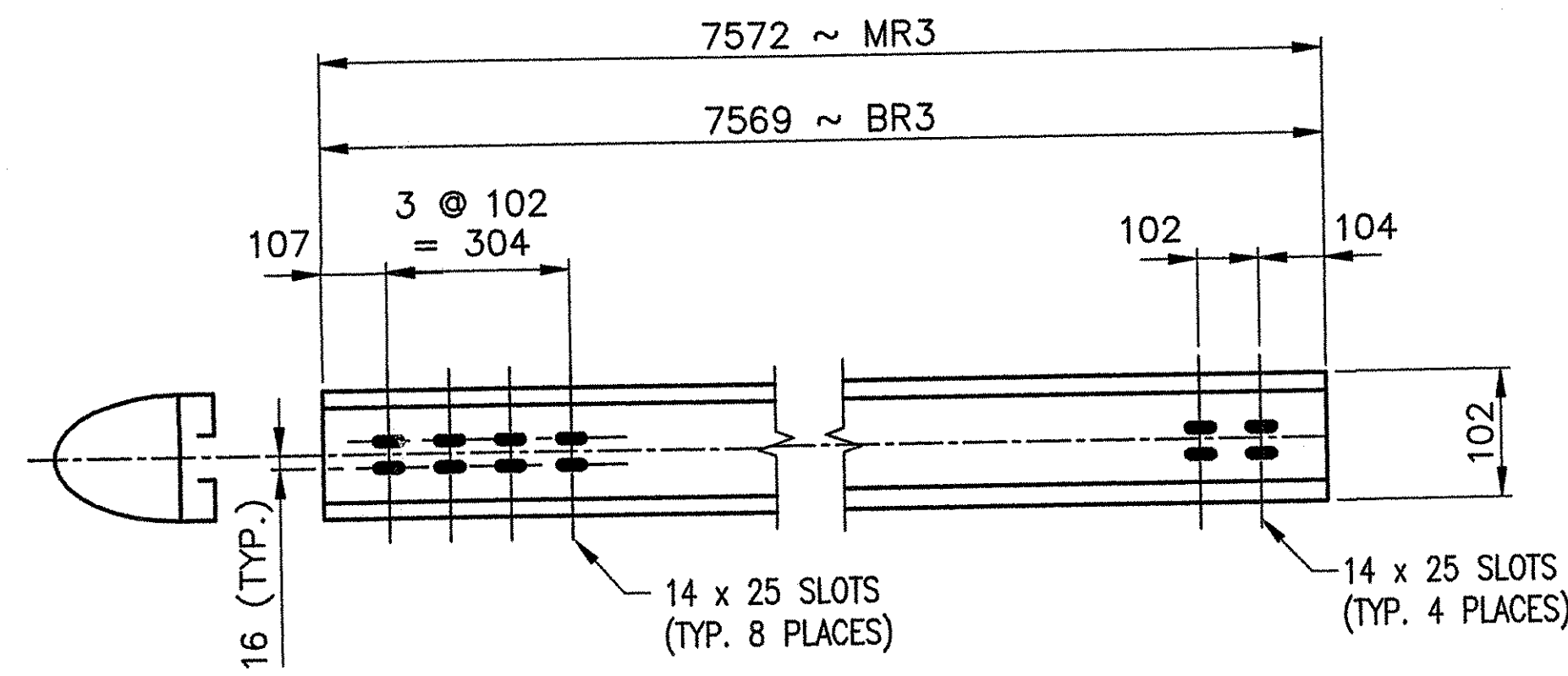


**COMPOUND BENT RAIL DETAIL**  
(PLAN VIEW)



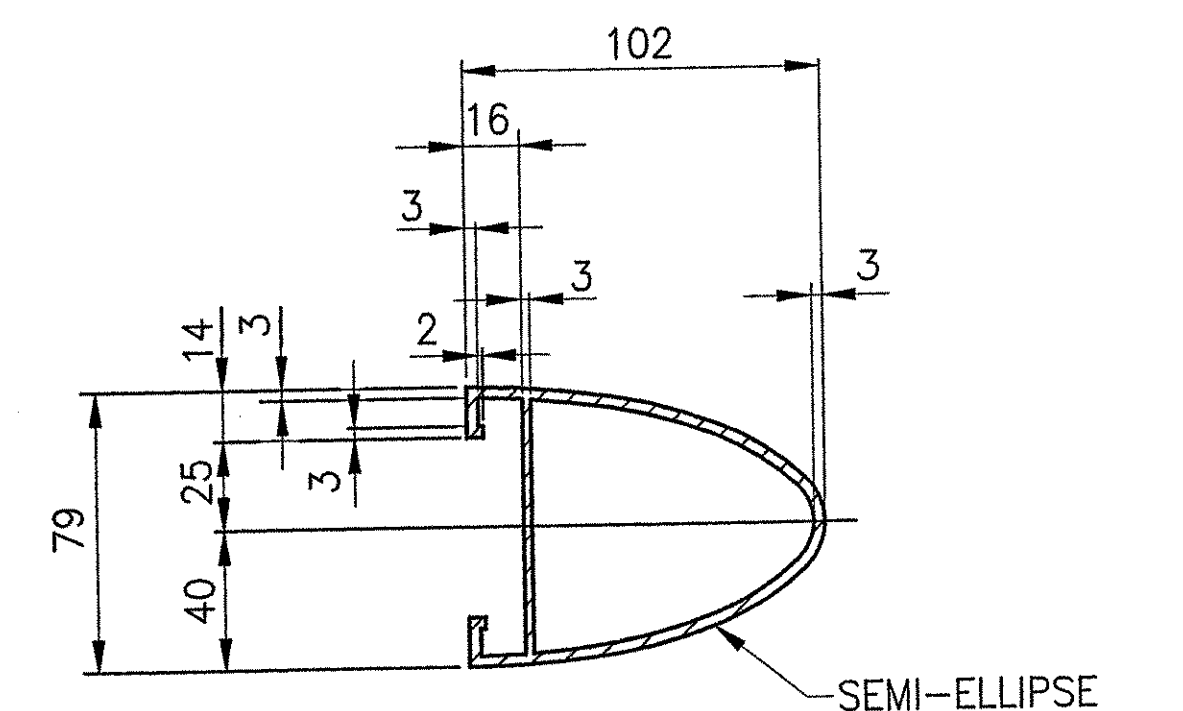
**COMPOUND BENT RAIL DETAIL**  
(BACK ELEVATION VIEW)

RAIL MK.	QTY.	LENGTH ALONG FF RAILING	RADIUS @ FF RAIL	MO	CHORD	"A"	"B"	"C"	"D"	LOCATION
MR2	1	8880	6500	1432	8054	7585	1261	8845	52	NE
BR2	1	8880	6500	1432	8054	7580	1260	8840	9	NE

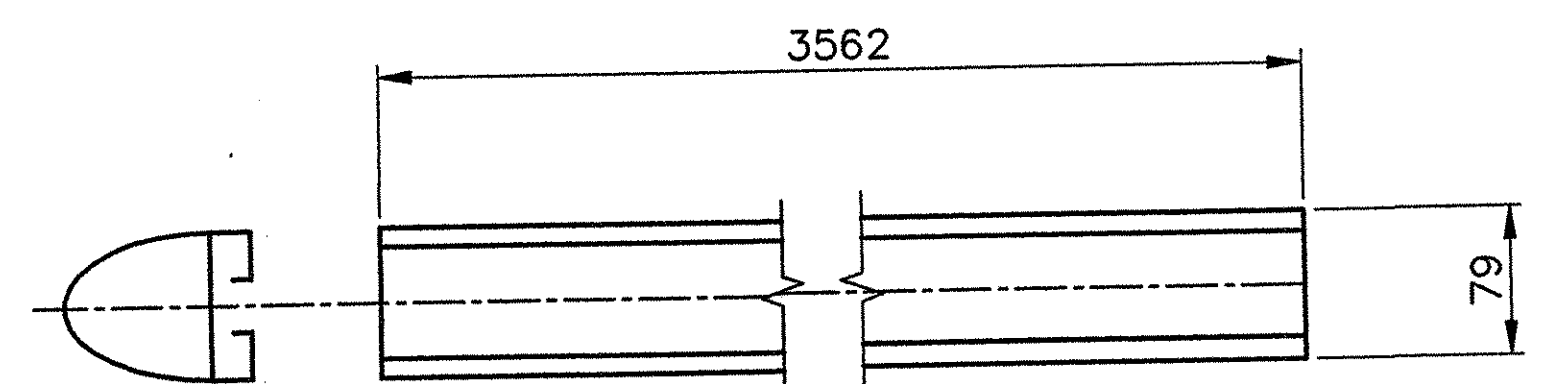


**2 REQ'D - BARRIER RAIL 'MR3'**  
(BACK ELEVATION VIEW)(SE, SW)

**2 REQ'D - BARRIER RAIL 'BR3'**  
(BACK ELEVATION VIEW)(SE, SW)



**TYP. HAND RAIL SECTION**  
#19464



**2 REQ'D - HANDRAIL 'TR3'**  
(BACK ELEVATION VIEW)(SE & SW)

**ANODIZED**  
(SEE LB1 FOR SPECIFICATIONS)

RECEIVED  
CHK'D BY: \_\_\_\_\_ OK'D BY: \_\_\_\_\_  
FEB 23 2006  
RESUBMIT: \_\_\_\_\_ APPROVED: \_\_\_\_\_  
BY: *WJ/SK* DATE: 2/23/06

PROJ. No. BRS 0113 (22) ITEM No: 621.74

APPROVED: _____	REC'D APPROVAL _____
DRAWING	
<b>L.B. FOSTER COMPANY</b>	
1016 GREENTREE ROAD PITTSBURGH, PENNSYLVANIA 15220	
FOR: A. D. ROSSI CORPORATION	
VERMONT AGENCY OF TRANSPORTATION	
TOWN OF HARTLAND, COUNTY OF WINDSOR	
BRIDGE #60 - US RTE 5 OVER LULLS BROOK	
3L ALUMINUM APPROACH RAIL - RAIL DETAILS	
MADE CMS DATE 06/02/05 JOB No. ARO200 CUST. No.	CHECK_Dd DATE 11/8/05 DRAWING LB12 REV. No.

REV.	DESCRIPTION	BY	DATE