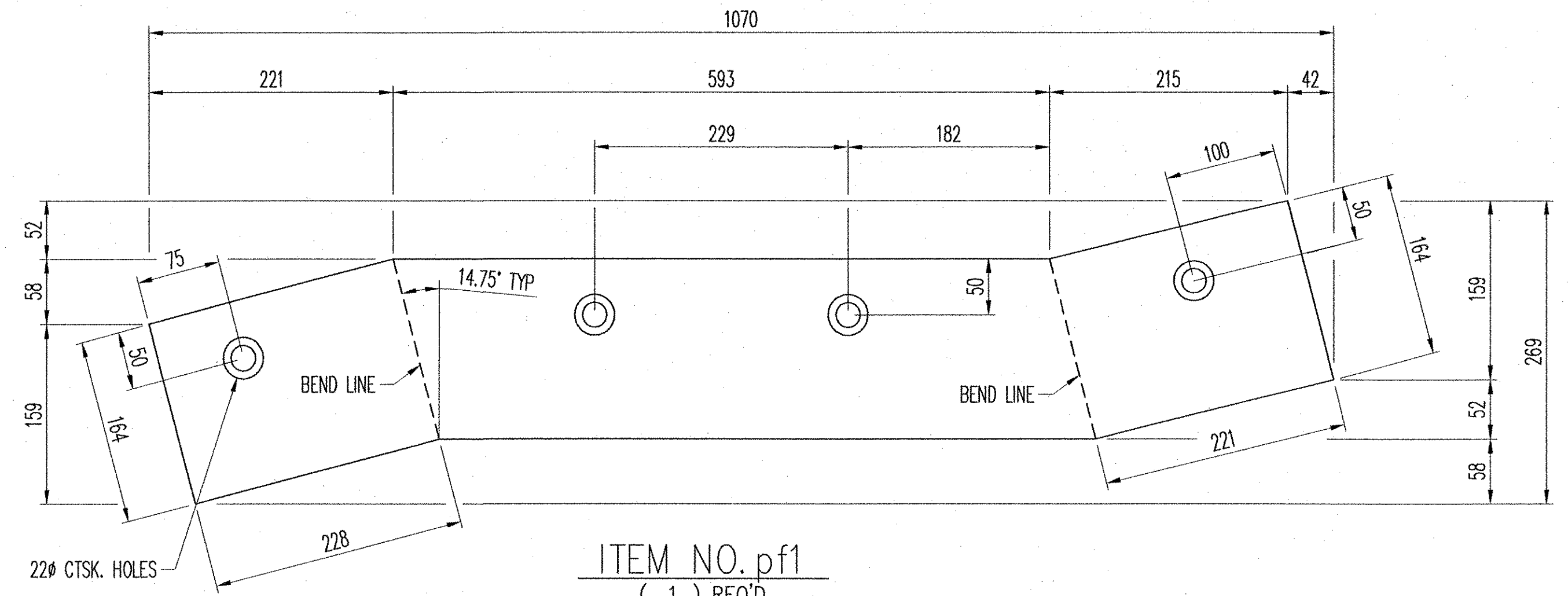
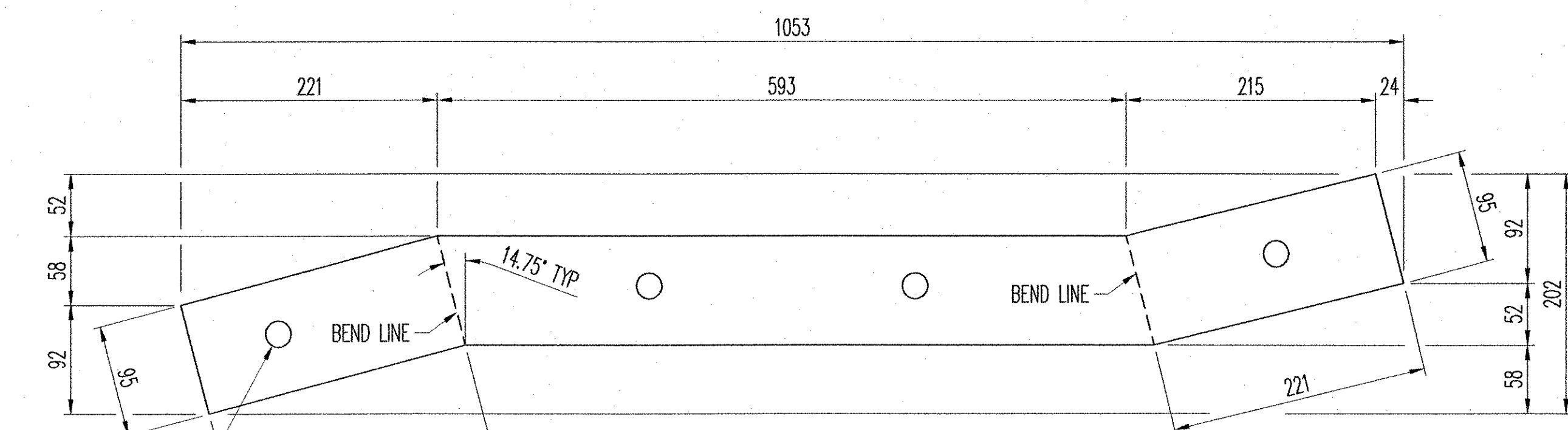


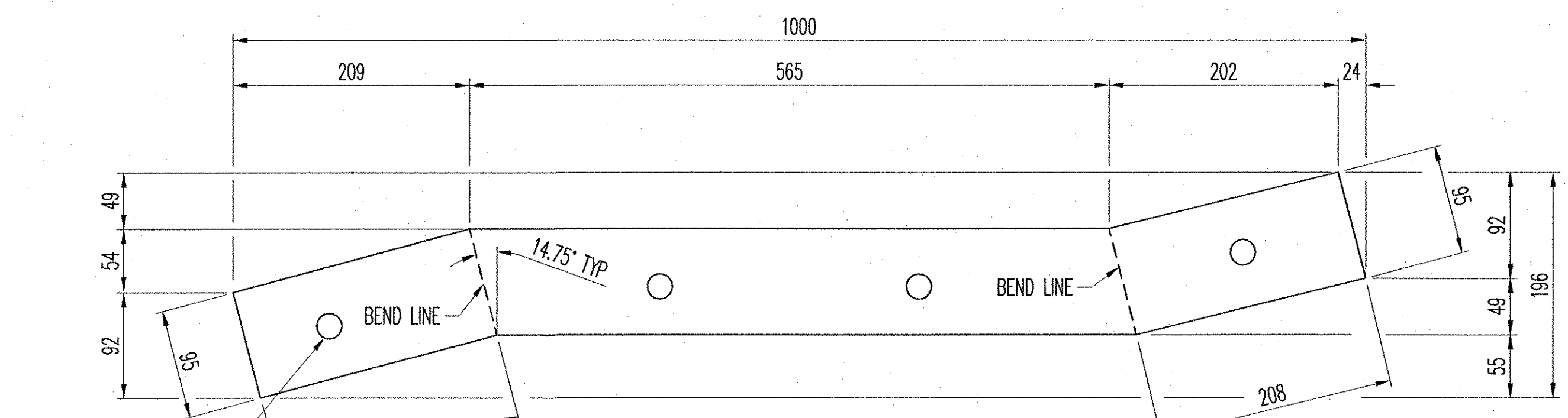
ITEM NO. ps1  
( 1 ) REQ'D.



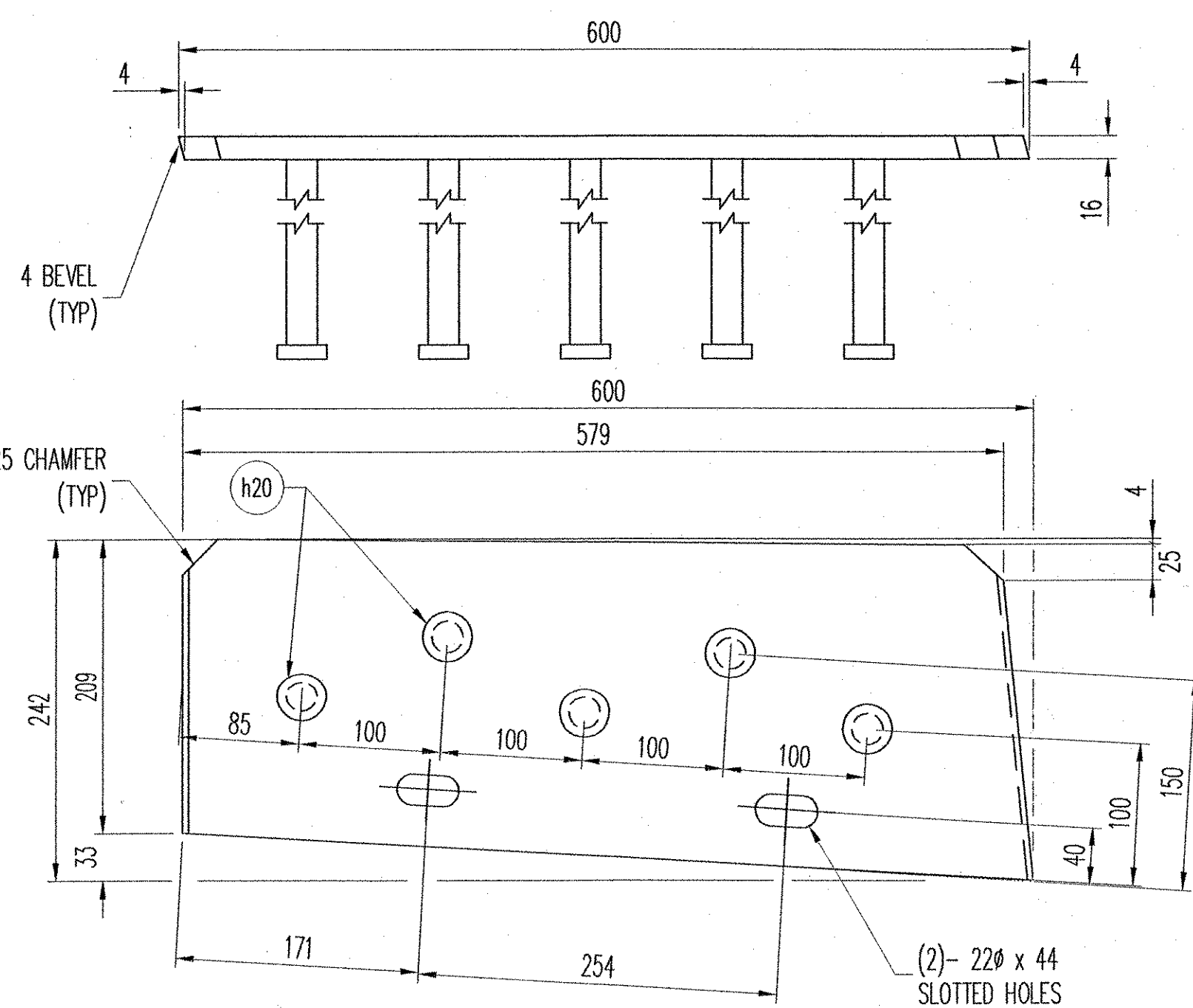
ITEM NO. pf1  
( 1 ) REQ'D.



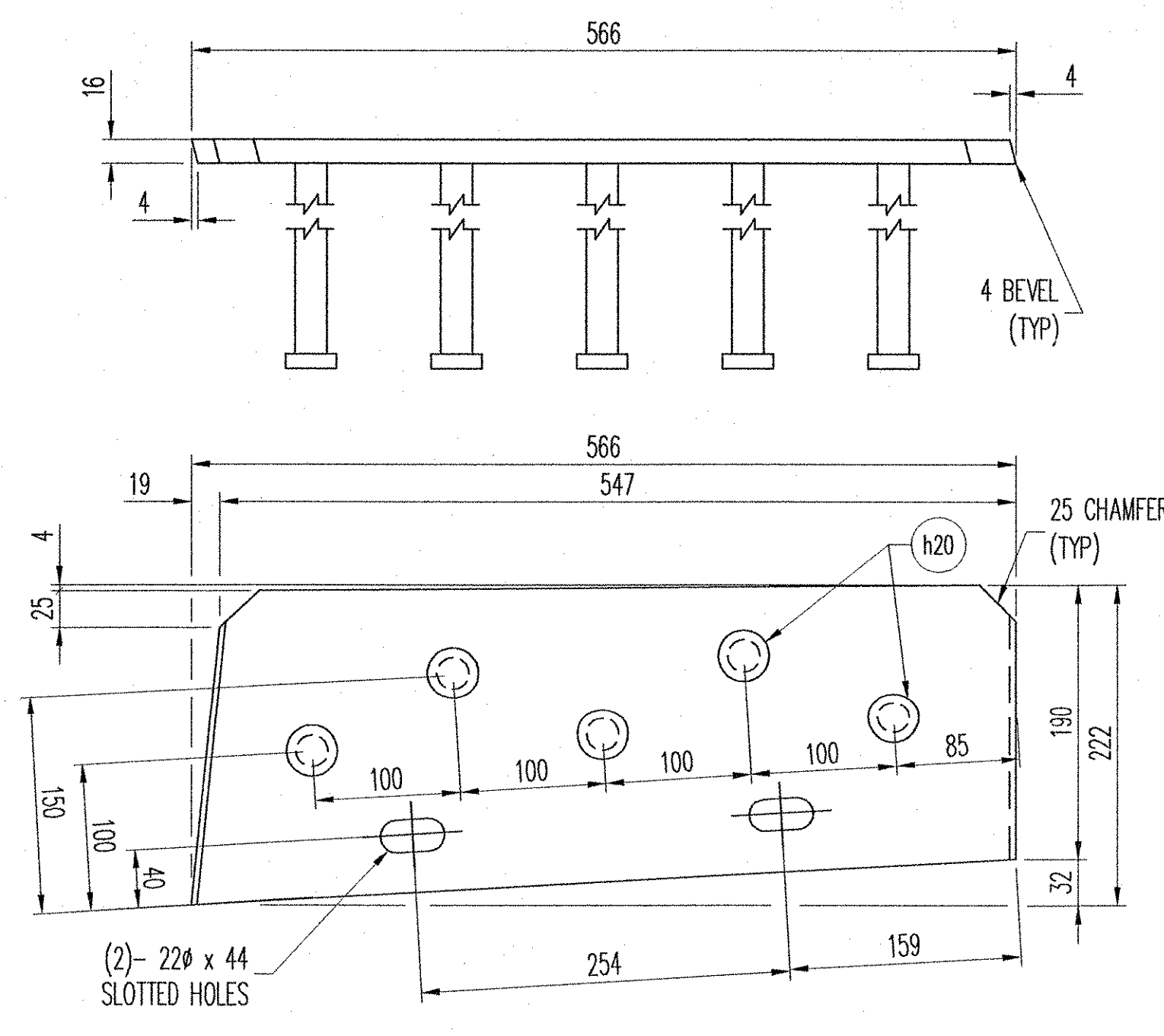
ITEM NO. pa1  
( 1 ) REQ'D.



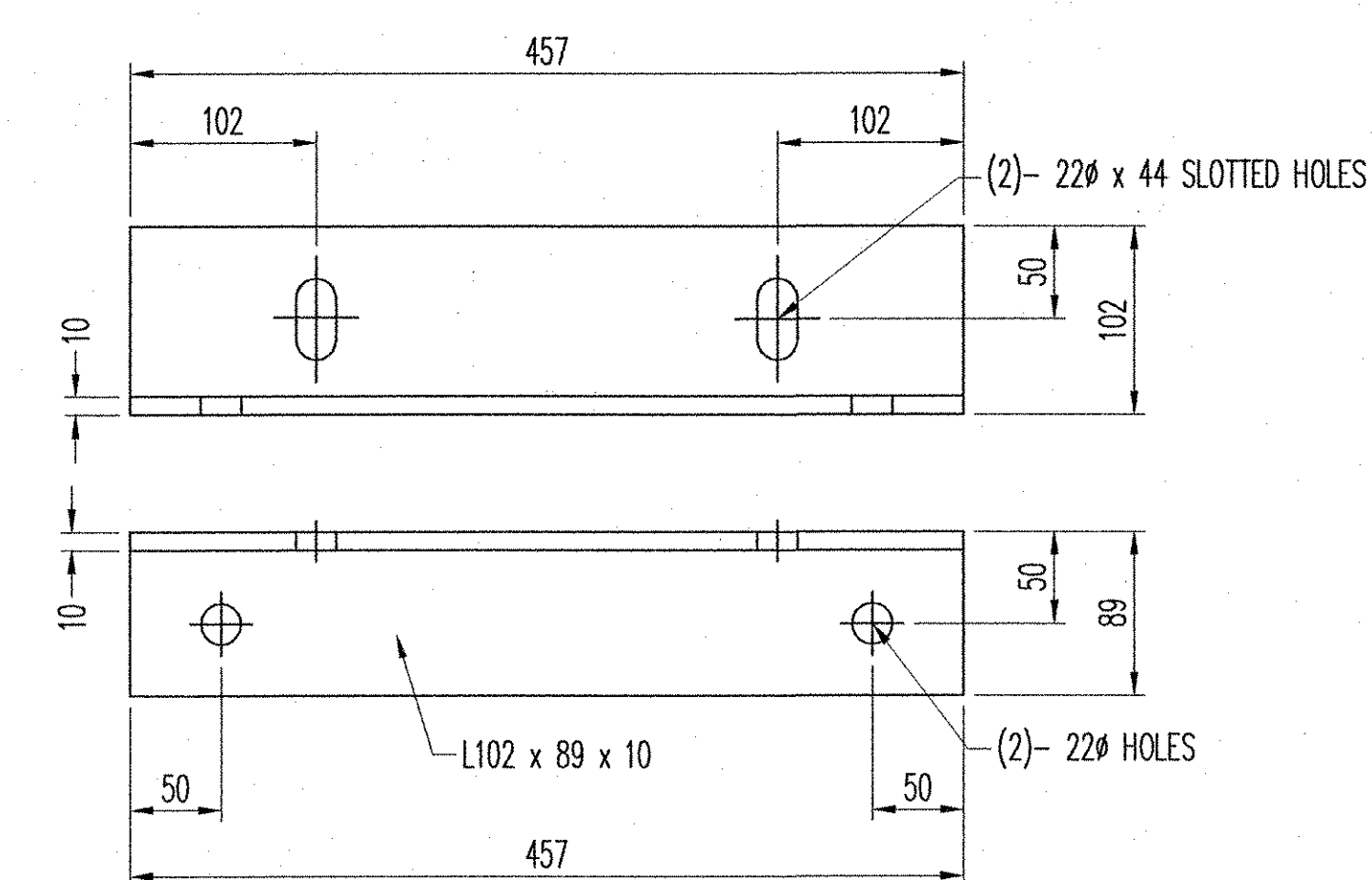
ITEM NO. pa2  
( 1 ) REQ'D.



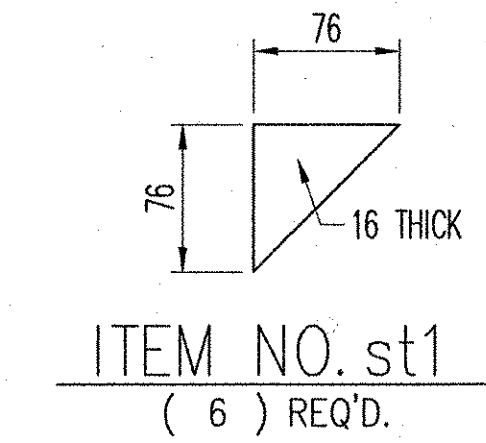
ITEM NO. pv1  
( 1 ) REQ'D.



ITEM NO. pv2  
( 1 ) REQ'D.



ITEM NO. ac1  
( 2 ) REQ'D.



ITEM NO. st1  
( 6 ) REQ'D.

Reviewed  
 Rejected  
 Furnish as Corrected  
 Revise and Resubmit  
 Submit Specified Item

This review is only for general conformance with the design concepts and the information given in the Construction Documents. Contractors or consultants made on the shop drawings during the review do not relieve the contractor from compliance with the requirements of the plans and specifications. Review of a separate item shall not include review of an assembly of which the item is a component. The Contractor is responsible for dimensions to be confirmed and corrected at the job site. Information that pertains solely to the fabrication process or to the means, methods, techniques, sequences and procedures of construction coordination of the Work with that of all other trades and performing all Work in a safe and satisfactory manner.

McFarland-Johnson, Inc.  
 Date: 1/16/06  
 By: RMR

**D.S. BROWN**  
 300 E. CHERRY STREET  
 NORTH BALTIMORE, OHIO 45872  
 419.257.3561  
 FAX: 419.257.0332  
 4201 NOREX DRIVE  
 CHASKA, MINNESOTA 55318  
 952.368.3000  
 FAX: 952.448.7000  
 DSBROWN.COM

REV.	DESCRIPTION	DATE	DET.	CKD.
	LOCATION — U.S. RTE. 5 OVER LULLS BROOK			
	BRIDGE — 60			
	PROJECT — BRS 0113 (22)			
	TOWN — HARTLAND			
	P.O. NO. — 2004			
	DESIGNER — MCFARLAND-JOHNSON, INC.			
	CUSTOMER — MILLER CONSTRUCTION			
	RECEIVED BY: JTB DATE: 1/19/06			
	APPROVED BY: TJS DATE: 1/19/06			
	SCALE: N.T.S.	DRAWN BY: T.BOWERS	CHECKED BY: T.JOHNSON	DATE: 10-7-05
	PROJECT NUMBER: 14032	PROJECT DATE: 1042	RELEASE:	SHEET 4 OF 4
				SHEET 5