

METRIC

1. ALL DIMENSIONS ARE IN MILLIMETERS UNLESS OTHERWISE NOTED.
2. ALL WEIGHTS ARE IN KILOGRAMS.

FED. ROAD DIV. NO. STATE VT FED. AID PROJ. NO.

BILL OF MATERIAL

SHIP.	QTY EA.	MARK	COMMODITY	DESCRIPTION	LENGTH	SPEC	GRADE	TEST	REMARKS	GRP.	ITEM	SHIP WEIGHT EA.
△	1	G5A		GIRDER								17104.96
△	1	w1	PL	20 x 2235	14 836	M270M	345W	T		3	3	5205.25
△	1	w2	PL	20 x 2235	18 739	M270M	345W	T		3	1	6574.63
△	1	t1	PL	22 x 410	15 230	M270M	345W			4	31	1078.26
△	1	t2	PL	22 x 410	18 326	M270M	345W			4	26	1297.45
△	1	b1	PL	22 x 410	15 230	M270M	345W	T		4	29	1078.26
△	1	b2	PL	22 x 410	18 318	M270M	345W	T		4	25	1296.89
	1	x1n	PL	22 x 190	2 235	M270M	345W			7	3	73.33
	1	x1ab	PL	22 x 190	2 235	M270M	345W			7	3	73.33
	1	x2h	PL	16 x 190	2 235	M270M	345W			7	6	53.33
	1	x2n	PL	6 x 72	275	M270M	345W			7	7	0.93

TOTAL WEIGHT THIS SHEET: 17104.96 kg

- Reviewed
- Rejected
- Furnish as Corrected
- Revise and Resubmit
- Submit Specified Item

This review is only for general conformance with the design contract and the information given in the Construction Documents. Corrections or comments made on the shop drawings during this review do not relieve the contractor from compliance with the requirements of the plans and specifications. Review of a specific item shall not include review of an assembly of which the item is a component. The Contractor is responsible for dimensions to be confirmed and controlled at the job site. Information that pertains solely to the fabrication process or to the means, methods, sequences, and procedures of construction, coordination of the work with that of all other trades and performing all work in a safe and satisfactory manner.

McFarland-Johnson, Inc.
Date: 6/19/05
By: EW

VTTrans
RECEIVED
CHKD BY: JWC
O.K'D BY: _____
JUN 03 2005
RESUBMIT: _____ APPROVED: _____
BY: _____ DATE: _____

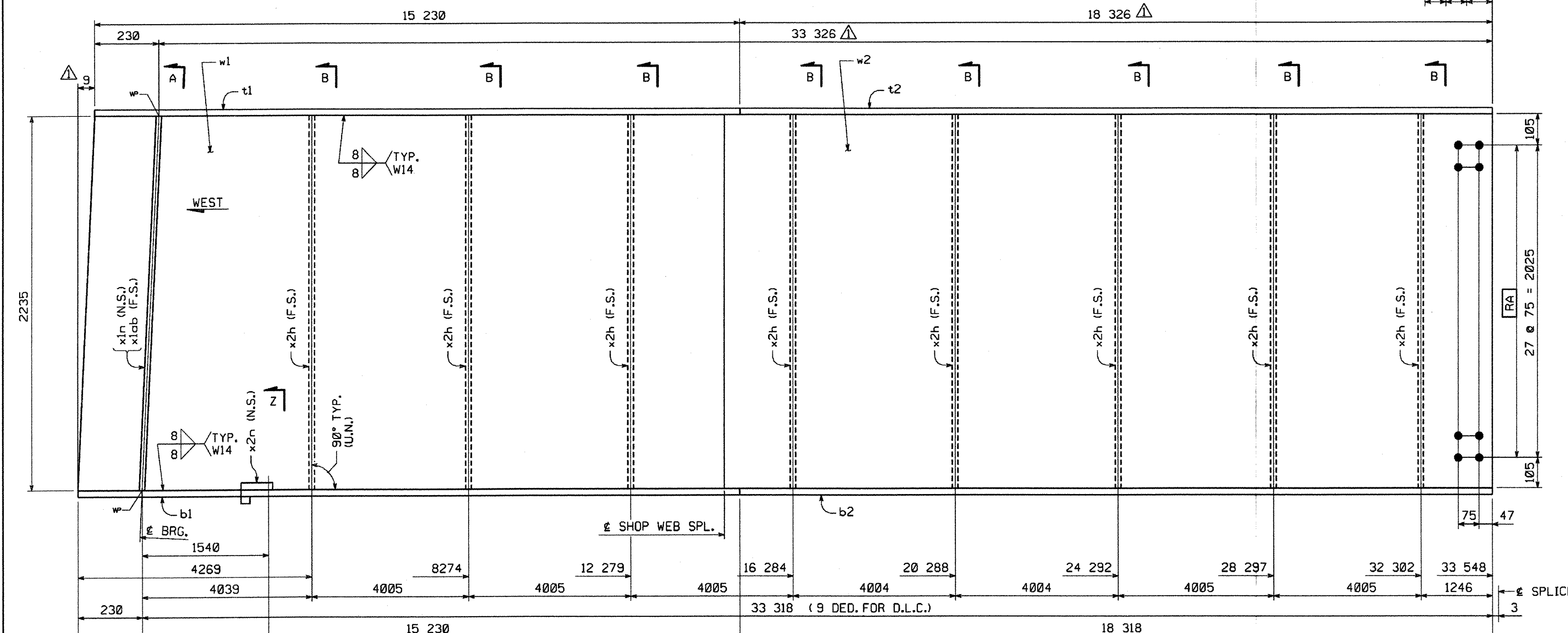
△			
△			
△	CAMBER DESIGN CHANGE	MGK	4-26-05
NO.	REVISION	BY	DATE

1770 Hempstead Road
Lancaster, PA 17605-0008
Phone 717/299-5211
HIGH STEEL STRUCTURES, INC.
A Division of High Industries, Inc.

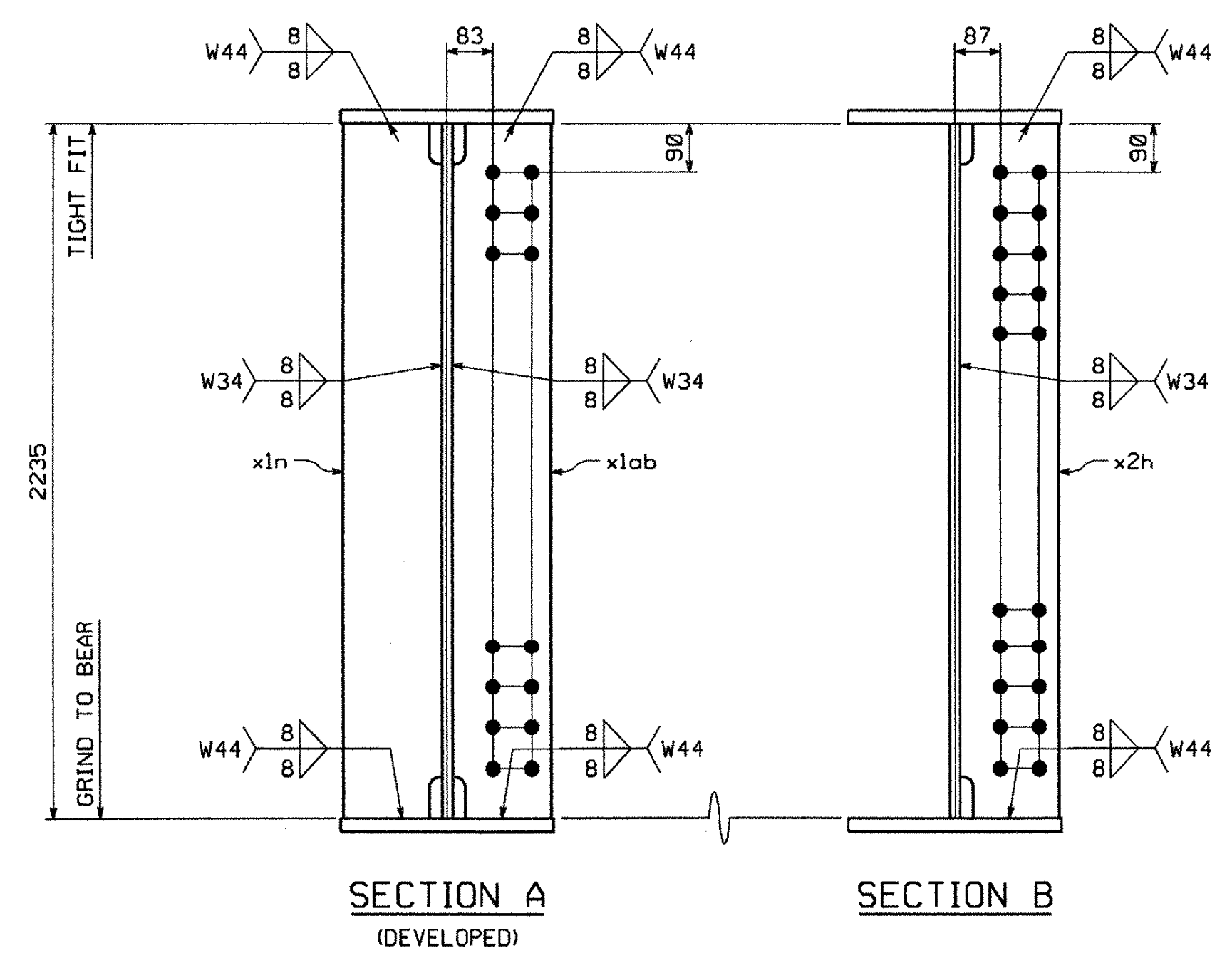
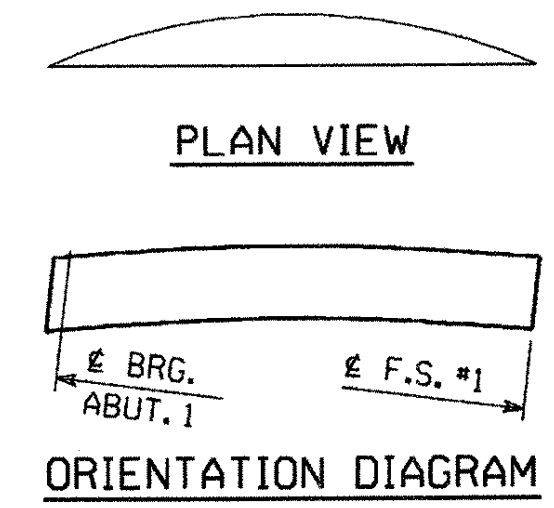
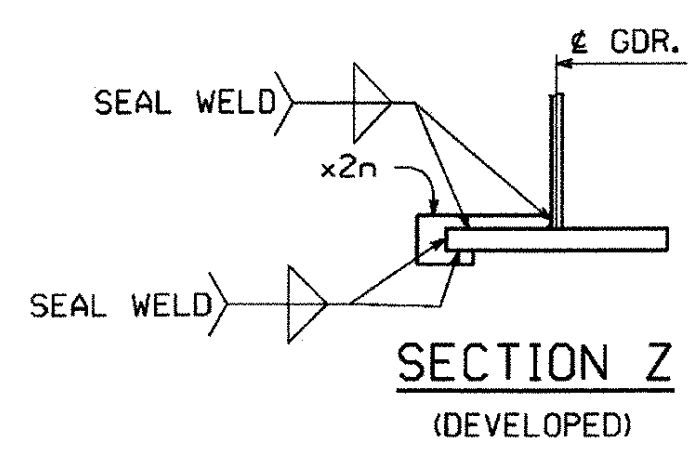
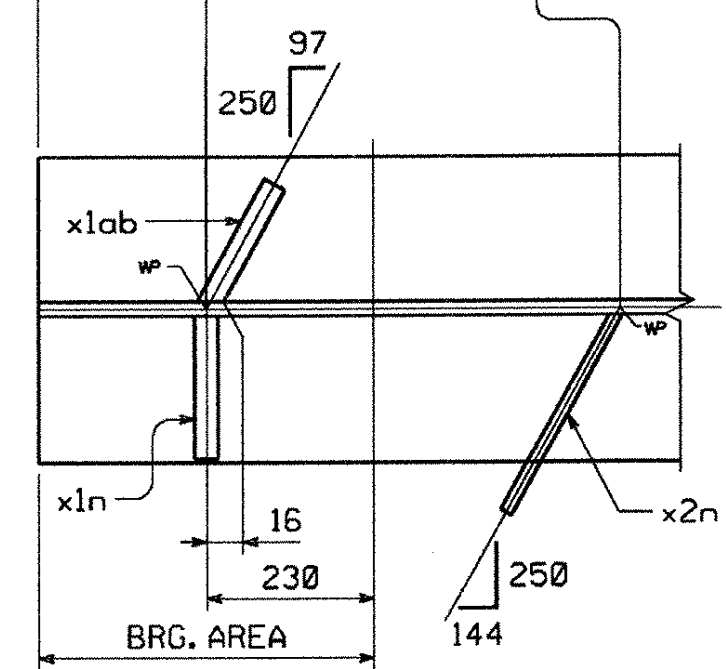
GIRDER	G5A
U.S. RTE. 5 (BRIDGE #60) OVER LULLS BROOK	
U.S. RTE. 5 STA. 3+080.77 TO STA. 3+123.110	
TOWN OF HARTLAND	
WINDSOR COUNTY, VERMONT	
STATE OF VERMONT, AGENCY OF TRANSPORTATION	
STATE CONTRACT OR REF. NO.	PROJECT NO. BRS-0113(22)
CONTRACTOR MILLER CONSTRUCTION, INC.	
IN CHARGE: GLIDDEN (IH)	MADE BY: K.L.W. CHK'D BY: W.B.W. DATE: 4/18/05
CONTRACT NUMBER: VT-05017-1	DRAWING NUMBER: 10 OF 15

CODE:30

12855



GIRDER MK. ~ G5A



SHOP NOTE

HOLES: 1 5/16" (U.N.)
BOLTS: NONE
PAINT: NONE
FOR GENERAL SHOP NOTES, SEE DWG. GNI.
FOR WEB CAMBER DIAGRAM, SEE DWG. WC1.
FOR HORIZ. CURVE DIAGRAM, SEE DWG. HC1.

PLOTTER: 4/28/2005 9:55:05 AM