

METRIC

1. ALL DIMENSIONS ARE IN MILLIMETERS UNLESS OTHERWISE NOTED.
2. ALL WEIGHTS ARE IN KILOGRAMS.

FED. ROAD DIV. NO.	STATE	FED. AID PROJ. NO.
	VT	

BILL OF MATERIAL

QTY	MARK	COMM.	DESCRIPTION	LENGTH	SPEC	GRADE	TEST	REMARKS	GRP.	ITEM	SHIP WEIGHT EA
1	G4A		GIRDER								17488.97
1	w1	PL	20 x 2235	14 836	M270M	345W	T		3	3	5205.25
1	w2	PL	20 x 2235	18 655	M270M	345W	T		3	2	6545.15
1	t1	PL	22 x 410	15 230	M270M	345W			4	32	1078.26
1	t2	PL	22 x 410	18 241	M270M	345W			4	28	1291.43
1	b1	PL	22 x 410	15 230	M270M	345W	T		4	30	1078.26
1	b2	PL	22 x 410	18 230	M270M	345W	T		4	27	1290.66
1	x1w	PL	22 x 190	2 236	M270M	345W			7	3	73.36
1	x1ab	PL	22 x 190	2 235	M270M	345W			7	3	73.33
1	x2h	PL	16 x 190	2 235	M270M	345W			7	6	53.33

TOTAL WEIGHT THIS SHEET: 17488.97 kg

Reviewed
 Rejected
 Furnish as Corrected
 Revise and Resubmit
 Submit Specified Item

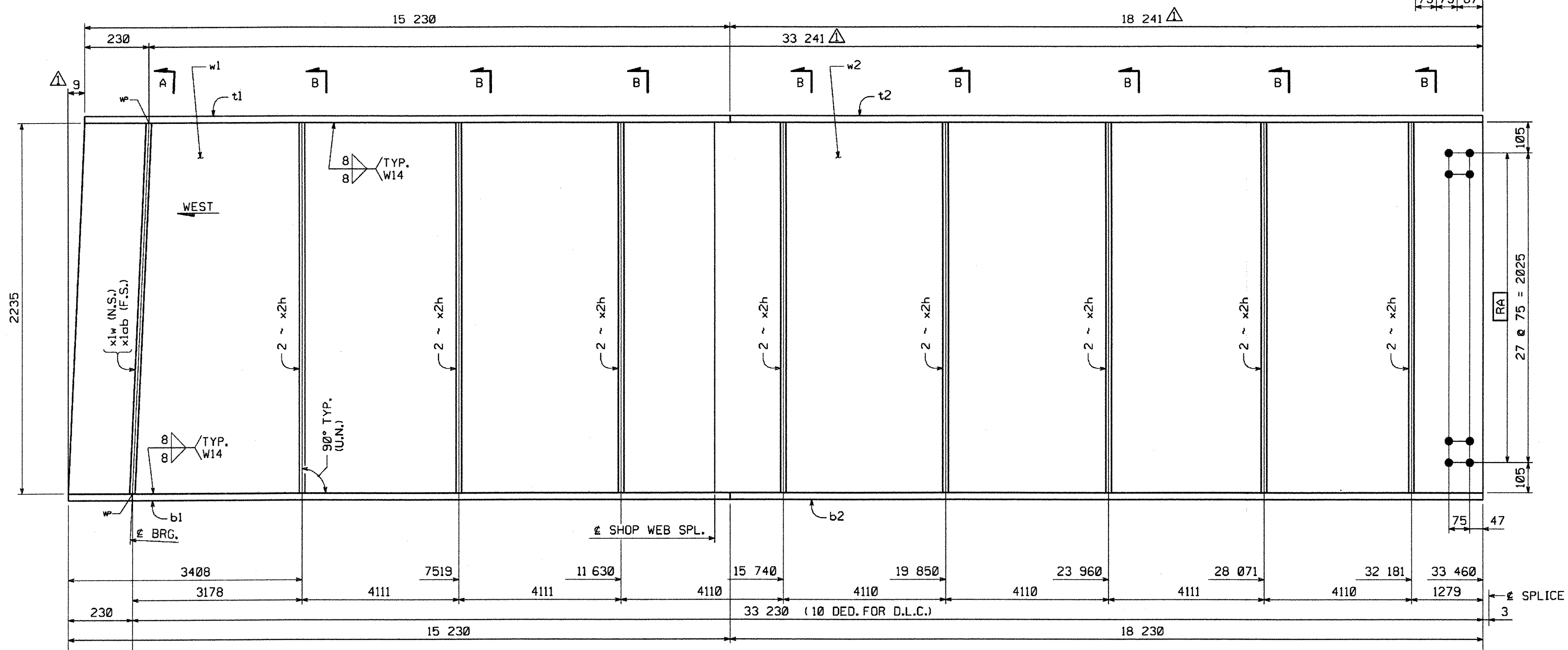
This review is only for general conformance with the design contract and the information given in the Construction Documents. Corrections or comments made on the shop drawings during this review do not relieve the contractor from compliance with the requirements of the plans and specifications. Review of a specific item shall not include review of an assembly of which the item is a component. The Contractor is responsible for dimensions to be confirmed and correlated at the job site. Information that pertains solely to the fabrication process or to the manufacturer's production sequences and procedures of construction, coordination of the work, or cost of all other trades and performing all work in a safe and satisfactory manner.

McFarland-Johnson, Inc.
 Date: 6/9/05
 By: ESW

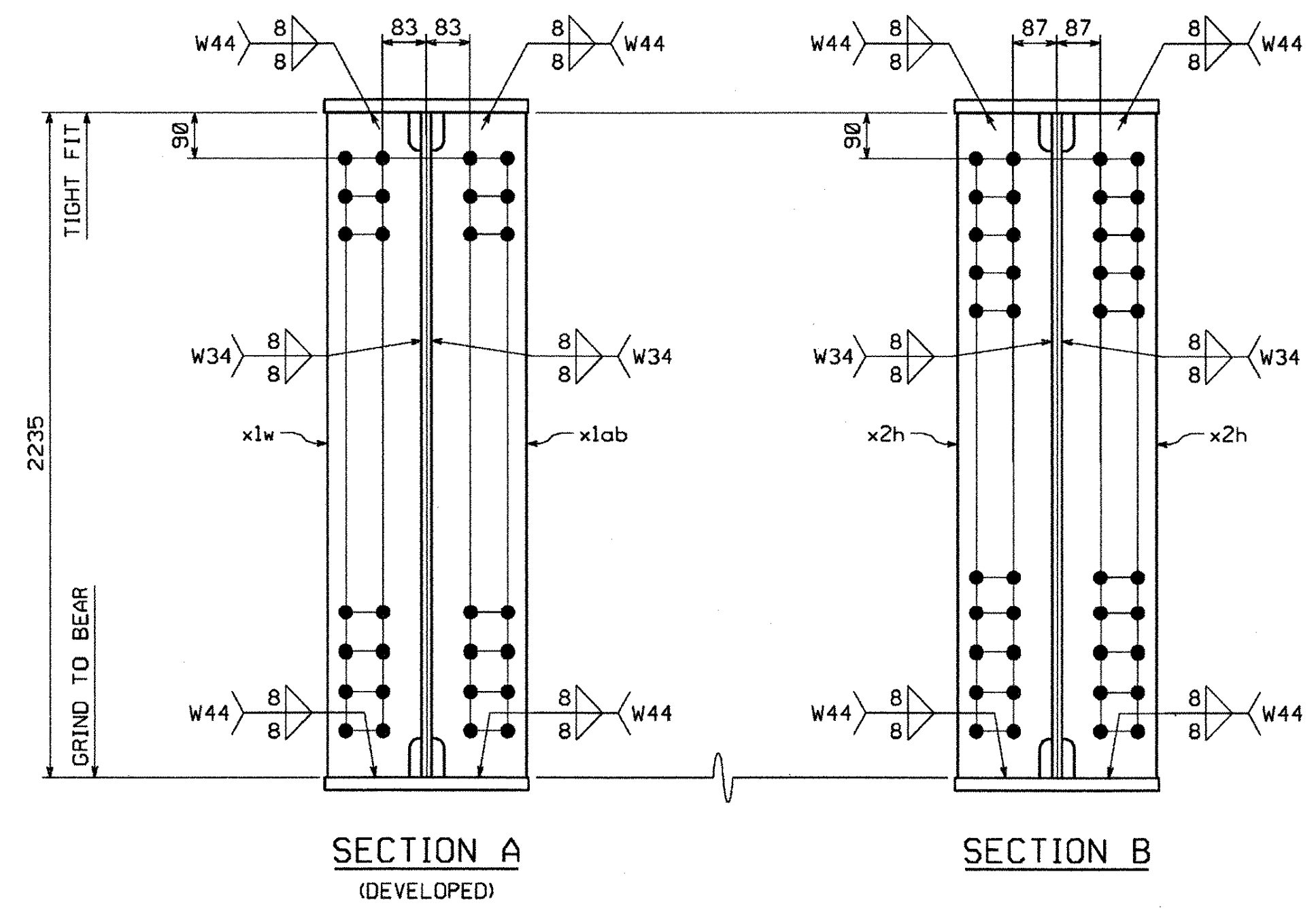
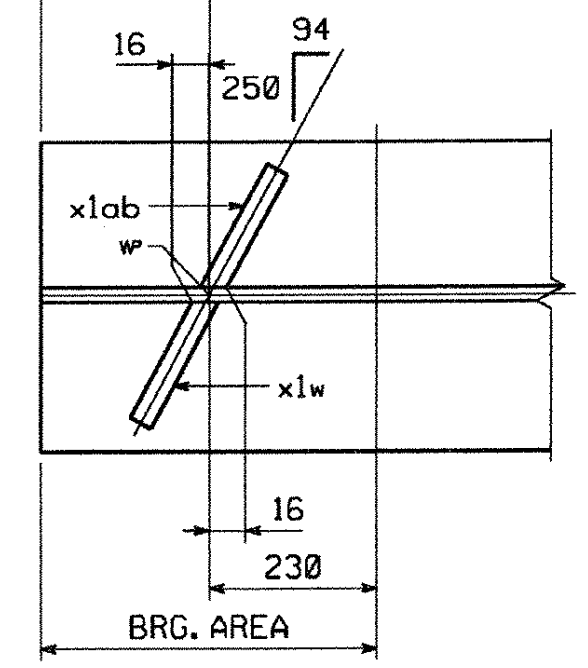
VTrans
RECEIVED
 CKD BY: JWC OKD BY: _____
 JUN 03 2005
 RESUBMIT APPROVED _____
 BY: _____ DATE: _____

△		
△		
△	CAMBER DESIGN CHANGE	MGK 4-26-05
NO.	REVISION	BY DATE

1770 Hempstead Road Lancaster, PA 17605-0008 Phone 717/299-5201 HIGH STEEL STRUCTURES, INC. A Division of High Industries, Inc.	
GIRDER	C4A
U.S. RTE. 5 (BRIDGE #60) OVER LULLS BROOK	
U.S. RTE. 5 STA. 3+080.77 TO STA. 3+123.110	
TOWN OF HARTLAND	
WINDSOR COUNTY, VERMONT	
STATE OF VERMONT, AGENCY OF TRANSPORTATION	
STATE CONTRACT OR REF. NO.	PROJECT NO. BRS-0113(22)
CONTRACTOR MILLER CONSTRUCTION, INC.	
IN CHARGE: GLIDDEN (IH)	MADE BY: KLLW
CHK'D. BY: WBW	DATE: 4/18/05
CONTRACT NUMBER: VT-05017-1	DRAWING NUMBER: 9 OF 15



GIRDER MK. ~ G4A



SHOP NOTE
 HOLES: 15/16" (U.N.)
 BOLTS: NONE
 PAINT: NONE
 FOR GENERAL SHOP NOTES, SEE DWG. G01.
 FOR WEB CAMBER DIAGRAM, SEE DWG. WC1.
 FOR HORIZ. CURVE DIAGRAM, SEE DWG. HC1.

PLOTTED: 4/28/2005 9:25:05 AM
 BY: mhresdel

12755