

METRIC

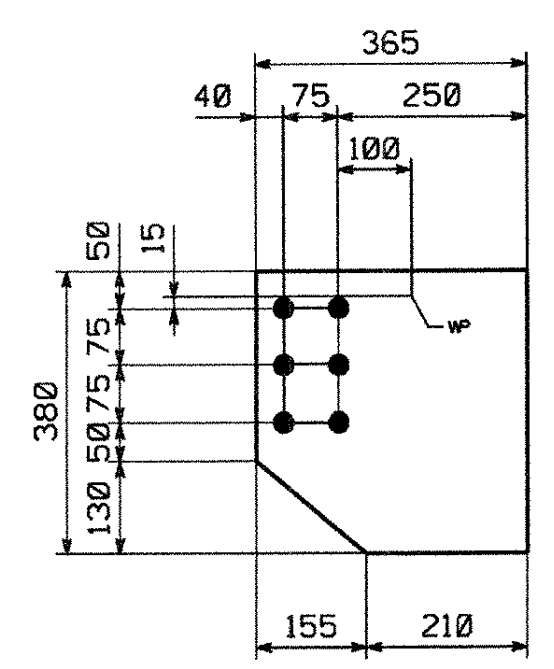
METRIC

1. ALL DIMENSIONS ARE IN MILLIMETERS UNLESS OTHERWISE NOTED.
2. ALL WEIGHTS ARE IN KILOGRAMS.

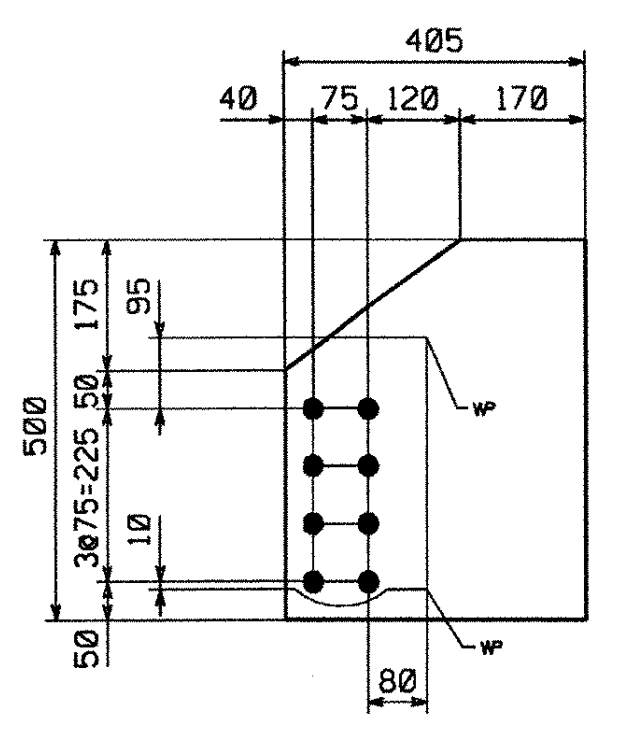
FED. ROAD DIV. NO.	STATE	FED. AID PROJ. NO.
	VT	

BILL OF MATERIAL

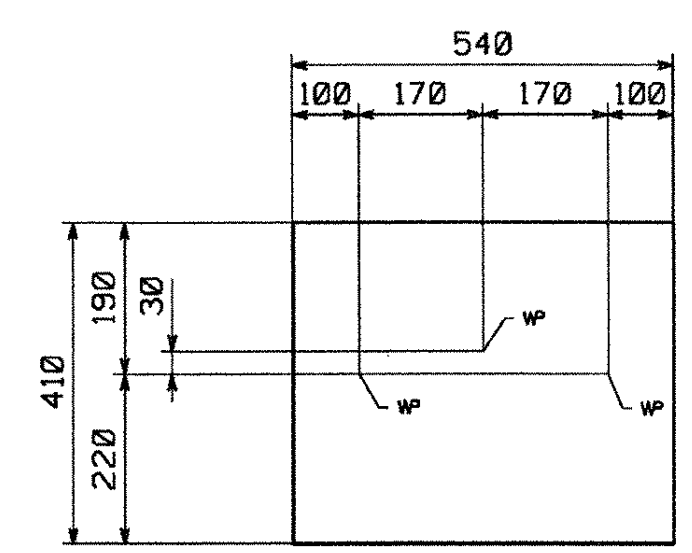
QTY	MARK	COMM.	DESCRIPTION	LENGTH	SPEC	GRADE	TEST	REMARKS	GRP.	ITEM	WEIGHT EA. (KG)
8	m1a	PL	16 x 365	380	M270M	345W	T		11	3	17.42
8	m1b	PL	16 x 365	380	M270M	345W	T		11	3	17.42
8	m1c	PL	16 x 405	500	M270M	345W	T		11	3	25.43
8	m1d	PL	16 x 405	500	M270M	345W	T		11	3	25.43
4	m1f	PL	16 x 410	540	M270M	345W	T		11	3	27.80
4	m1g	PL	16 x 410	540	M270M	345W	T		11	3	27.80
74	m1h	PL	16 x 425	460	M270M	345W	T		11	3	24.55
6	m1k	PL	16 x 425	460	M270M	345W	T		11	3	24.55
74	m1m	PL	16 x 400	415	M270M	345W	T		11	3	20.85
6	m1n	PL	16 x 400	415	M270M	345W	T		11	3	20.85
37	m1p	PL	16 x 202	240	M270M	345W	T	FILL	11	3	6.09
3	m1s	PL	16 x 202	240	M270M	345W	T	FILL	11	3	6.09



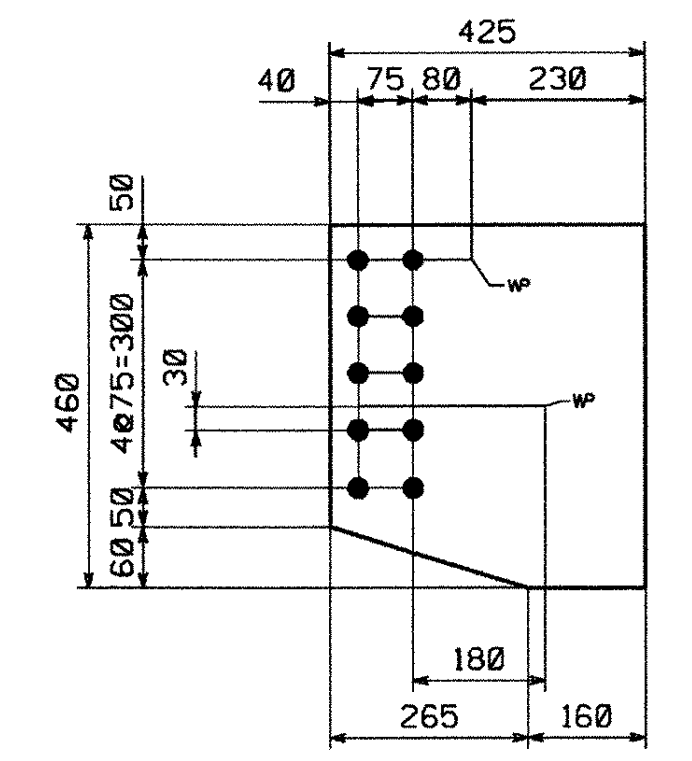
GUSSET PLATES ~ MK. m1a
GUSSET PLATES ~ MK. m1b (CG)



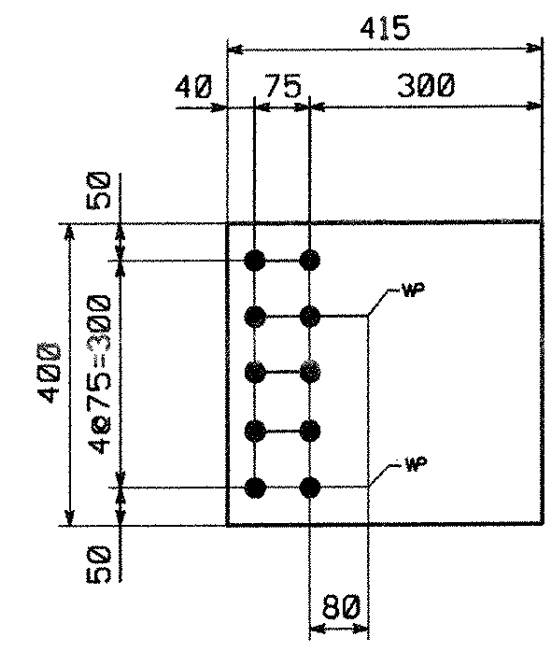
GUSSET PLATES ~ MK. m1c
GUSSET PLATES ~ MK. m1d (CG)



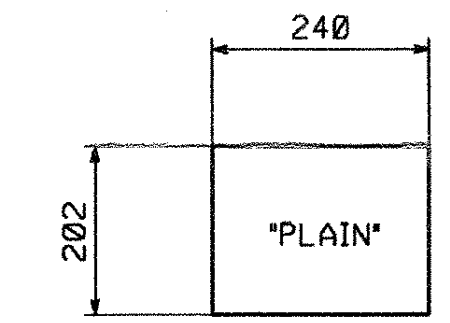
GUSSET PLATES ~ MK. m1f
GUSSET PLATES ~ MK. m1g (CG)



GUSSET PLATES ~ MK. m1h
GUSSET PLATES ~ MK. m1k (CG)



GUSSET PLATES ~ MK. m1m
GUSSET PLATES ~ MK. m1n (CG)



FILL PLATE ~ MK. m1p
FILL PLATE ~ MK. m1s (CG)

- Reviewed
- Rejected
- Furnish as Corrected
- Revise and Resubmit
- Submit Specified Item

This review is only for general conformance with the design concept and the information given in the Construction Documents. Corrections or comments made on the shop drawings during this review do not relieve the contractor from compliance with the requirements of the plans and specifications. Review of a specific item shall not include review of an assembly of which the item is a component. The Contractor is responsible for dimensions to be confirmed and corrected at the shop. Information that pertains solely to the fabrication process or to the means, methods, techniques, sequences and procedures of construction; coordination of the Work with that of all other trades and performing all work in a safe and satisfactory manner.

McPortland-Johnson, Inc.
Date: 6/16/05
By: [Signature]

VT TRANS RECEIVED
JUN 21 2005
RESUBMIT APPROVED
BY: [Signature] DATE:

NO.	REVISION	BY	DATE

SHOP NOTE

HOLES: 15/16" #
BOLTS: NONE
PAINT: NONE
 FOR GENERAL SHOP NOTES, SEE DWG. GNI.
 (CG) INDICATES CORNER GRINDING IS REQUIRED.
 CORNER GRINDING IS NOT REQUIRED FOR MATERIAL ON THIS DRAWING UNLESS NOTED (CG).

1770 Hempstead Road
Lancaster, PA 17605-0008
Phone 717/299-5281
HIGH STEEL STRUCTURES, INC. **HS**
A Division of High Industries, Inc.

CROSSFRAME JOB STANDARDS
 U.S. RTE. 5 (BRIDGE #60) OVER LULLS BROOK
 U.S. RTE. 5 STA. 3+080.77 TO STA. 3+123.110
 TOWN OF HARTLAND
 WINDSOR COUNTY, VERMONT
 STATE OF VERMONT, AGENCY OF TRANSPORTATION

STATE CONTRACT PROJECT NO. BRS-0113(22)
 OR REF. NO.
 CONTRACTOR MILLER CONSTRUCTION, INC.
 IN CHARGE: GLIDDEN (IH) MADE BY: K LW CHK'D BY: M GK DATE: 4/18/05

CONTRACT NUMBER: VT-05017-1 DRAWING NUMBER: M1 OF M1

CODE:63

11555

BY: mkr04d1
PLOTTED: 4/28/2005 6:44:49 AM