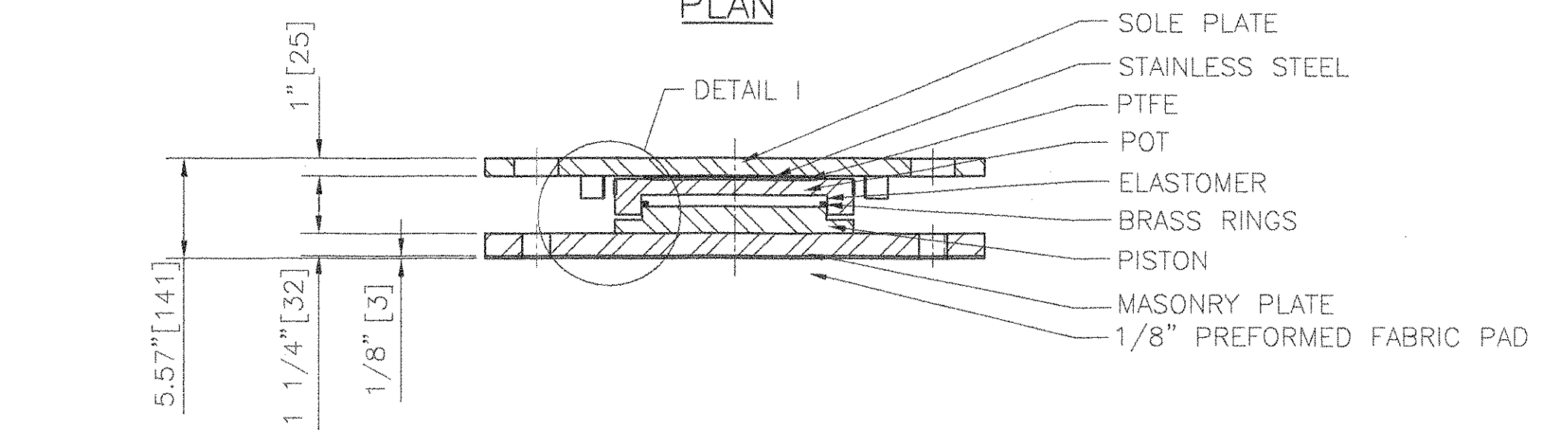


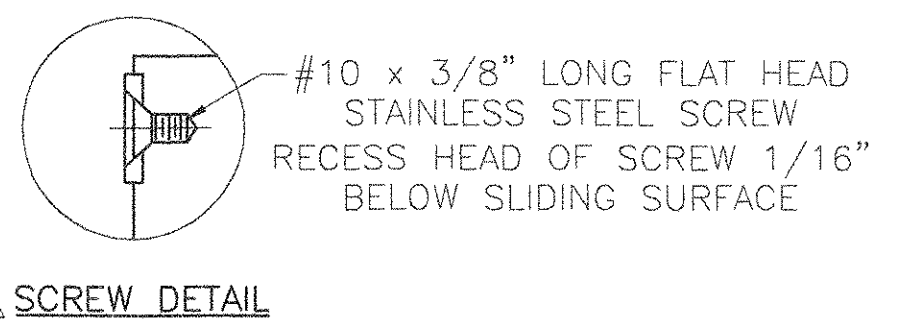
PLAN



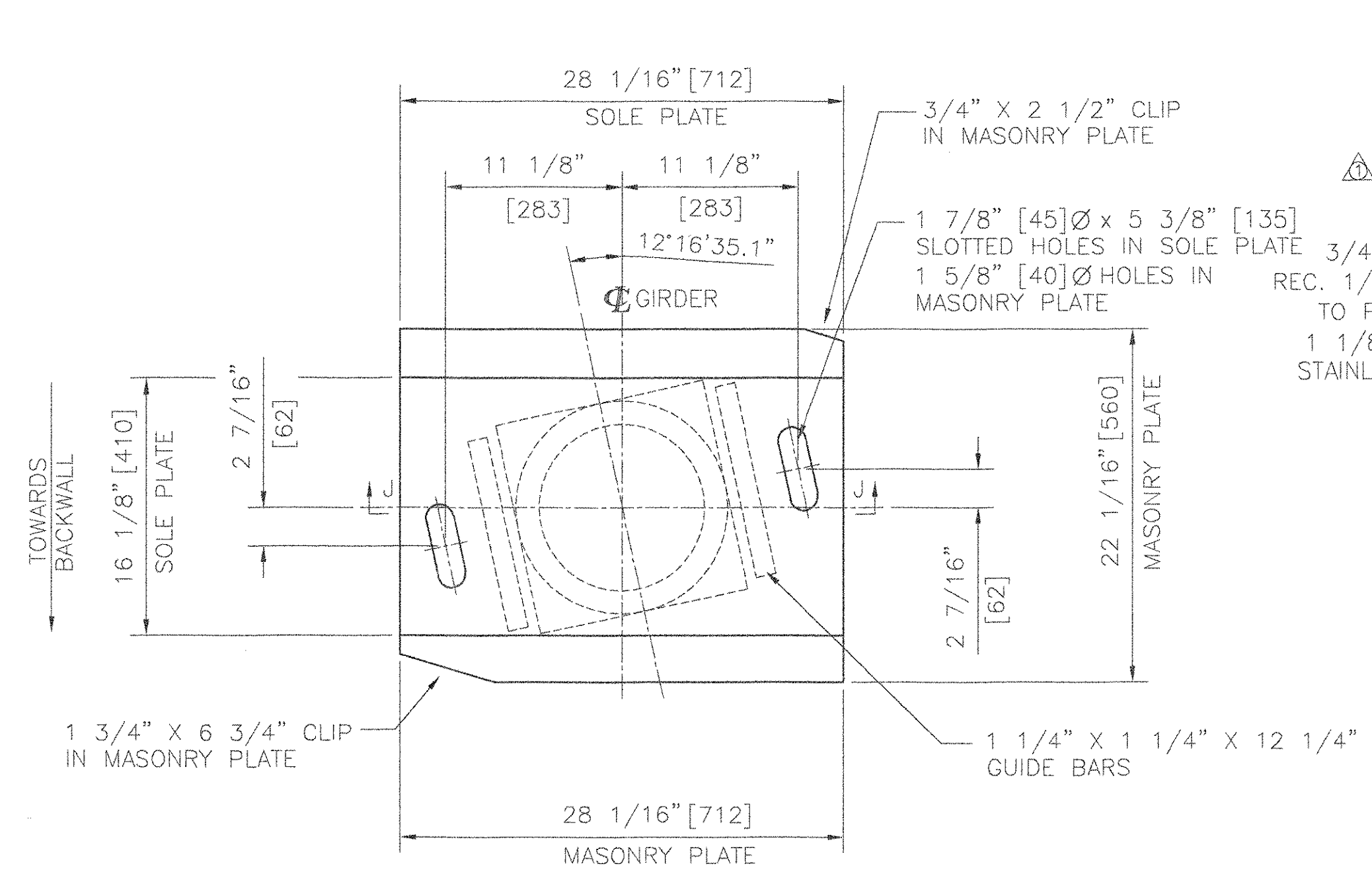
SECTION I-I

COSMEC GUIDED EXPANSION POT BEARING

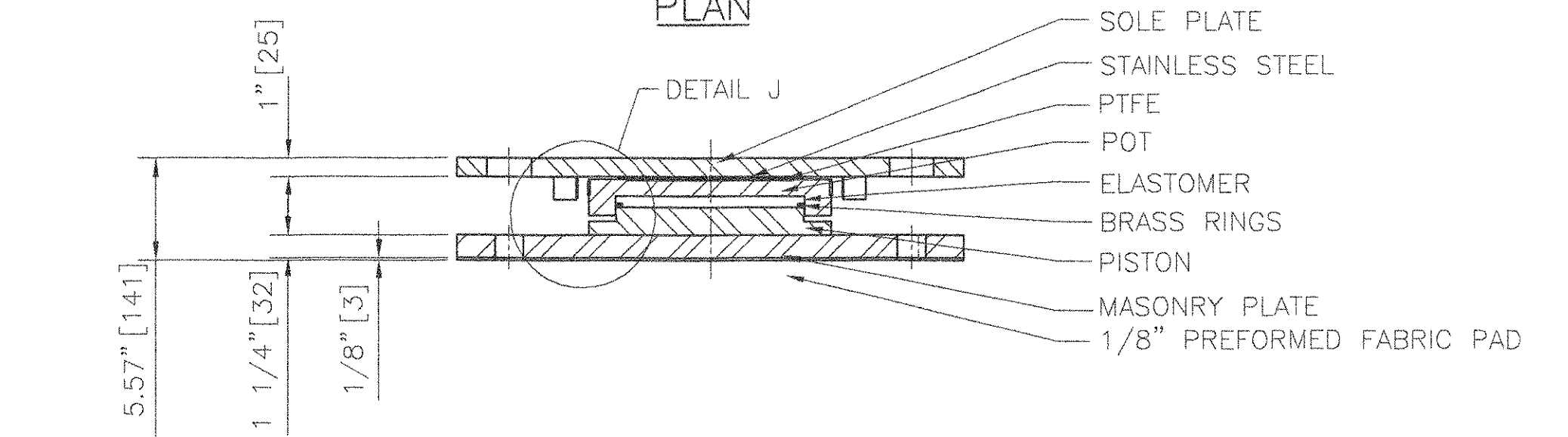
LOCATION: ABUTMENT #2; GIRDER #G4
 QUANTITY: 1
 TOTAL VERTICAL CAPACITY= 300 KIPS [1335 Kn]
 TOTAL HORIZONTAL CAPACITY= 30 KIPS [133.5 Kn]
 MOVEMENT CAPACITY= 3 13/16" [97]
 TRANSVERSE MOVEMENT CAPACITY= 1 1/8" [28]
 ROTATION CAPACITY= 0.015 RADIAN



SCREW DETAIL



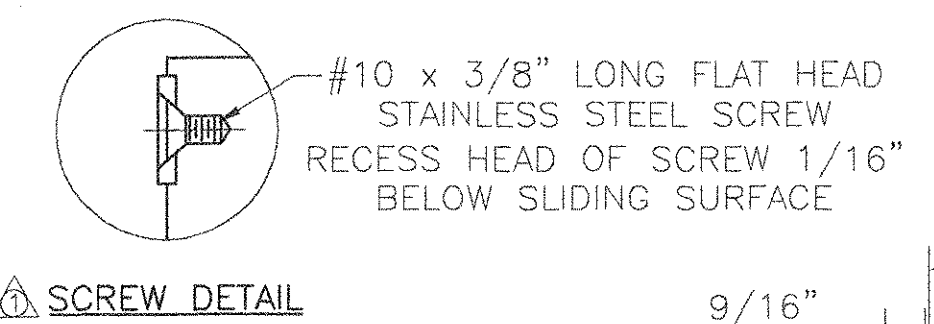
PLAN



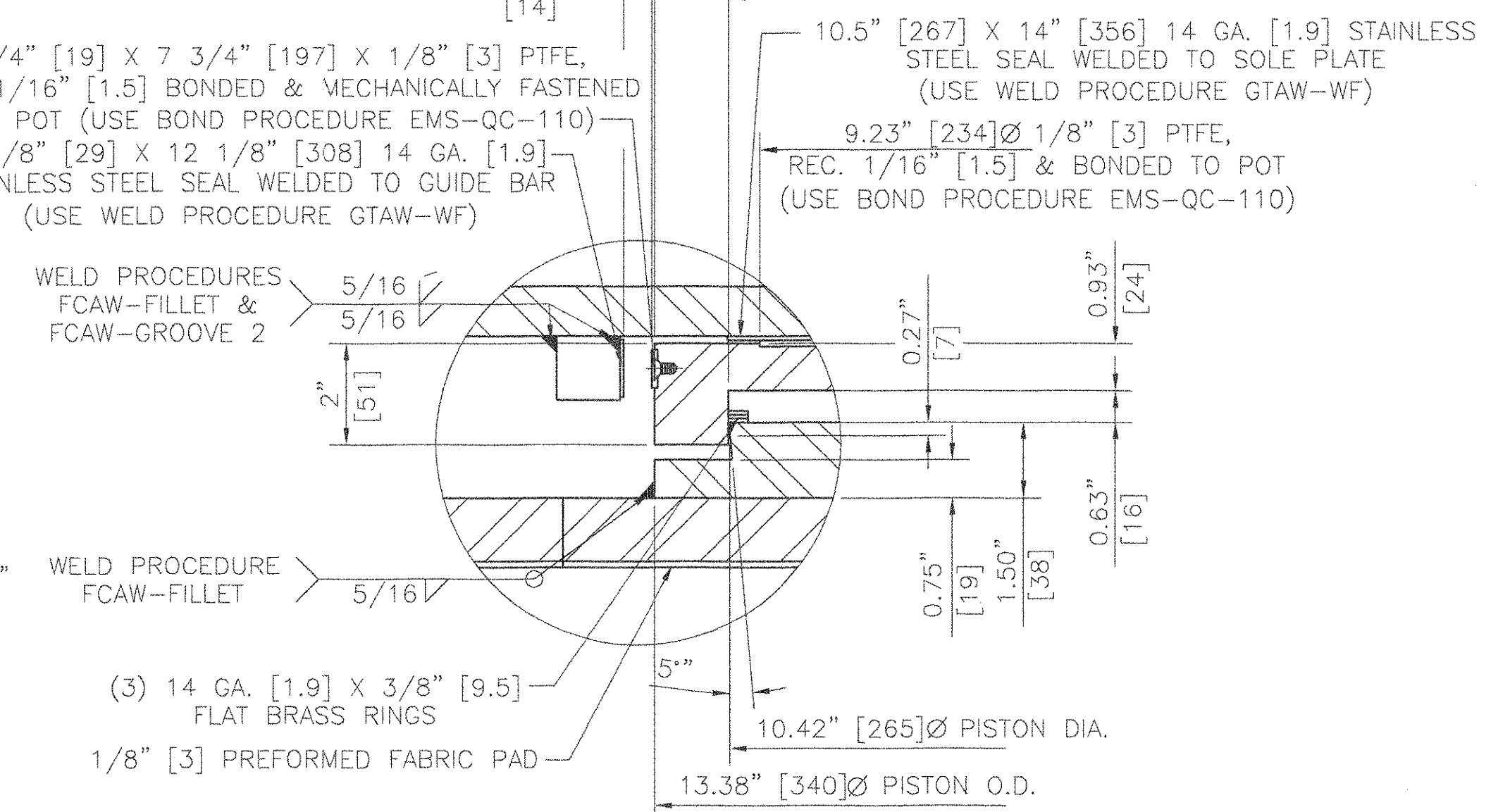
SECTION J-J

COSMEC GUIDED EXPANSION POT BEARING

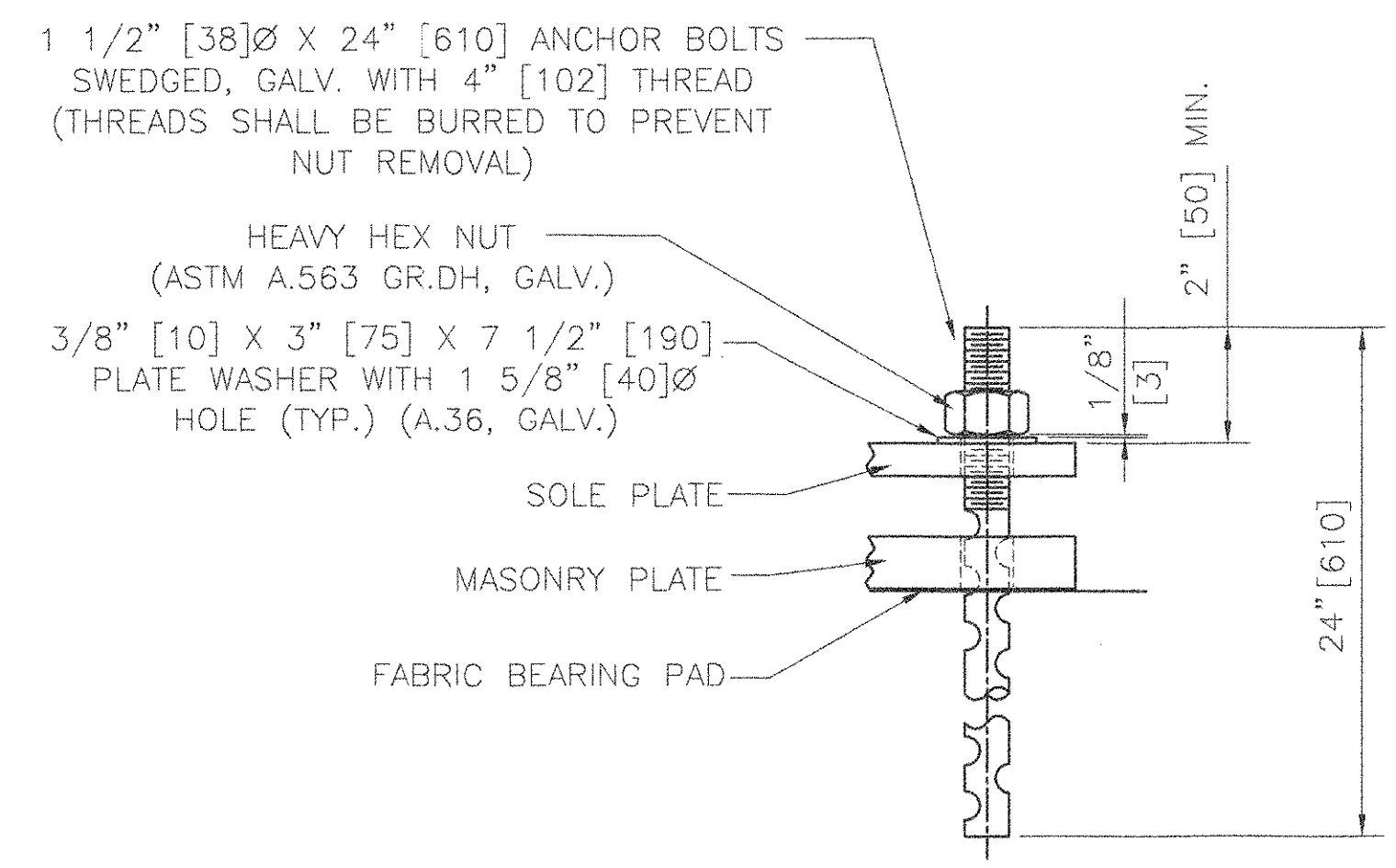
LOCATION: ABUTMENT #2; GIRDER #G5
 QUANTITY: 1
 TOTAL VERTICAL CAPACITY= 300 KIPS [1335 Kn]
 TOTAL HORIZONTAL CAPACITY= 30 KIPS [133.5 Kn]
 MOVEMENT CAPACITY= 3 13/16" [97]
 TRANSVERSE MOVEMENT CAPACITY= 1 1/8" [28]
 ROTATION CAPACITY= 0.015 RADIAN



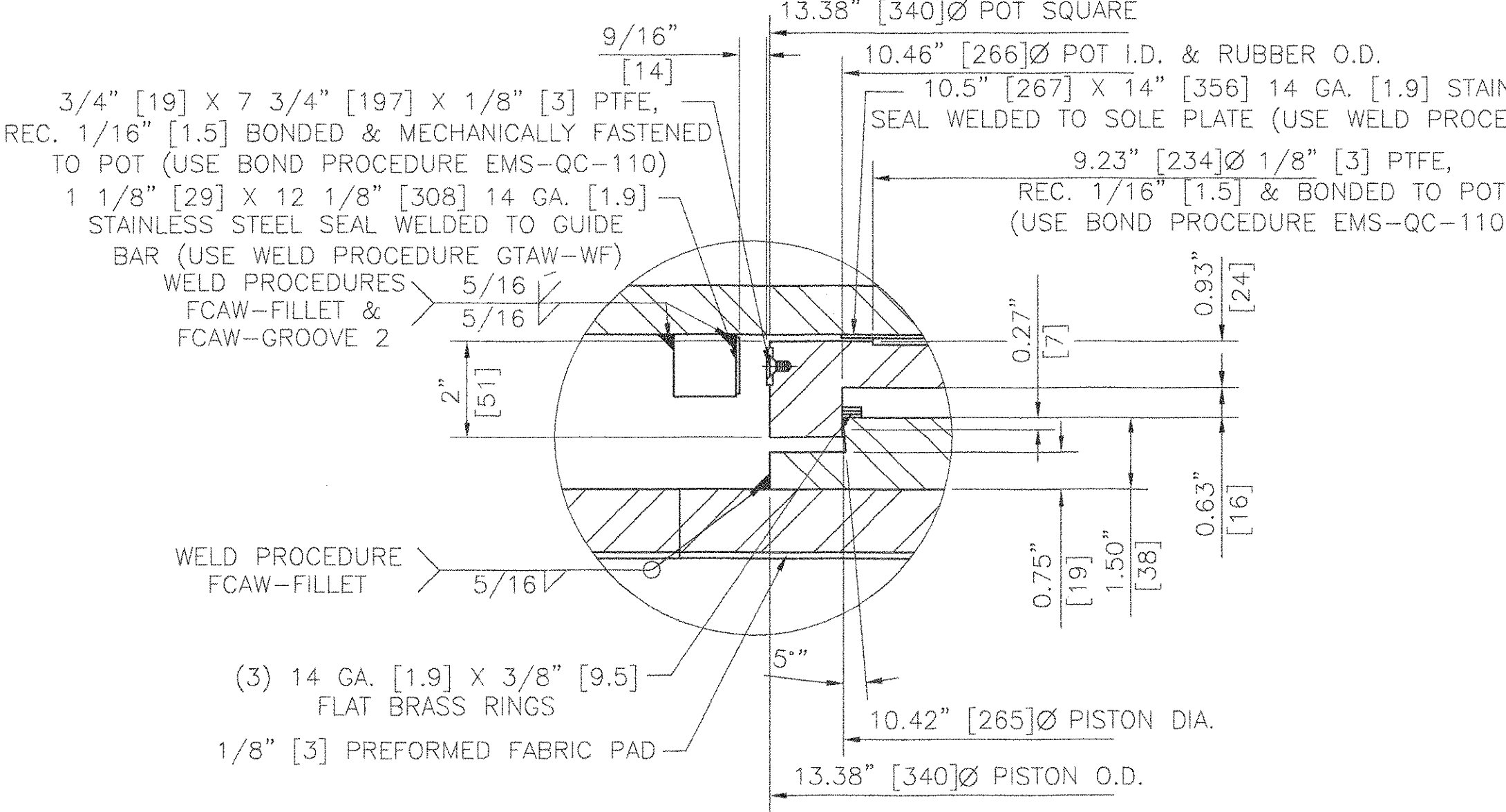
SCREW DETAIL



DETAIL J - BEARING



ANCHOR BOLT DETAIL



DETAIL I - BEARING

BEARING NOTES

- ALL MATERIALS USED IN THE FABRICATION OF THESE BEARINGS SHALL BE MADE IN THE U.S.A.
- BEARINGS ARE TO BE SHIPPED AS COMPLETE UNITS, STEEL Banded, AND SHALL BE WRAPPED TO PROTECT FROM MOISTURE AND DIRT DURING TRANSIT AND STORAGE.
- LOCATION OF FABRICATION PLANT - 70 SOUTH STREET WALPOLE, MA 02081
- COSMEC, INC. REPRESENTATIVE - MR. MATT McANDREWS (508) 668-6600
- BEARINGS SHALL BE STORED IN A CLEAN, DRY, LEVEL UPRIGHT POSITION.
- UNITS: INCH[mm]
- BEARINGS MUST NOT BE DISASSEMBLED
- ALL BEARINGS SHALL BE METALLIZED AS PER SECTION 531.04(B) & 506.15 (a) & (b). AREAS OF METALLIZED DAMAGED BY FIELD WELDS OR HANDLING SHALL BE REPAIRED PER SUPPLEMENTAL SPECIFICATION 513.06(F).
- PROTECT PTFE & S.S. SURFACES FROM DIRT, WELD SPATTER, & ANY OTHER FOREIGN SUBSTANCES.
- PRIOR TO METALLIZING, ALL CORNERS AND EDGES OF STEEL PLATES, SHAPES, ETC. SHALL BE GROUND TO A 1/16" [1.6] RADIUS.

MATERIALS

- STEEL - ASTM A709 GRADE 36, ZINC METALLIZED & SEALED
- STAINLESS STEEL - ASTM A240 TYPE 304, 10 RMS FINISH OR LESS
- PREFORMED FABRIC PAD - AASHTO DIV. II SPEC. 18.4.9.1
- ANCHOR BOLTS - ASTM F1554 GRADE 55
- PTFE - ASTM D.4894 VIRGIN UNFILLED
- ELASTOMER - AASHTO 50 DUROMETER NEOPRENE
- BRASS SEALING RINGS - ASTM B.36 HALF HARD

RECEIVED
 NOV 09 2005
 RESUBMIT APPROVED
 BY TMS DATE 11/16/05

STATE OF VERMONT
 AGENCY OF TRANSPORTATION
 TOWN OF HARTLAND
 U.S. ROUTE 5 OVER LULLS BROOK
 BRIDGE NO. 60

COSMEC, INC. 70 SOUTH STREET WALPOLE, MA 02081

SCALE: 1/8"=1"	DRAWN BY: MRR	CHECKED BY: MCM
DATE: 7-20-05	DATE: 8-17-05	

COSMEC POT BEARINGS

REV.	DETAIL MECHANICAL FASTENER	BY	DATE	CK'D	DATE	CUSTOMER	S.O. NUMBER	DRAWING NUMBER	REV.
		MRR	11-3-05	MCM	11-4-05	MILLER CONSTRUCTION, INC.	60304	4464	1