

SECTION A-A

SECTION B-B

**COSMEC FIXED POT BEARING**

LOCATION: ABUTMENT #1; GIRDER #G1  
 QUANTITY: 1  
 TOTAL VERTICAL CAPACITY= 380 KIPS [1690 Kn]  
 TOTAL HORIZONTAL CAPACITY= 38 KIPS [169 Kn]  
 MOVEMENT CAPACITY= 0"  
 ROTATION CAPACITY= 0.015 RADIAN

**COSMEC FIXED POT BEARING**

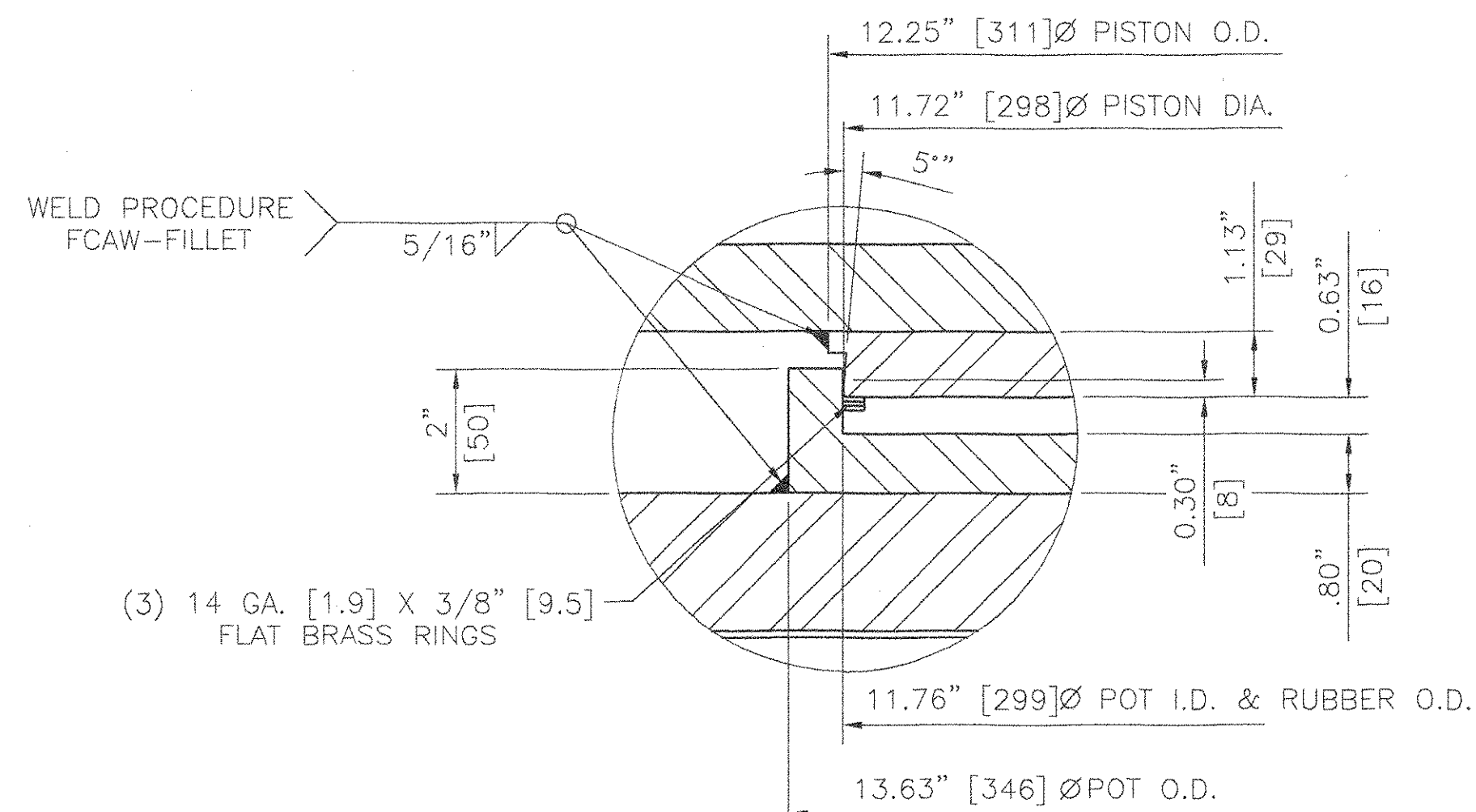
LOCATION: ABUTMENT #1; GIRDER #G2  
 QUANTITY: 1  
 TOTAL VERTICAL CAPACITY= 380 KIPS [1690 Kn]  
 TOTAL HORIZONTAL CAPACITY= 38 KIPS [169 Kn]  
 MOVEMENT CAPACITY= 0"  
 ROTATION CAPACITY= 0.015 RADIAN

**BEARING NOTES**

- ALL MATERIALS USED IN THE FABRICATION OF THESE BEARINGS SHALL BE MADE IN THE U.S.A.
- BEARINGS ARE TO BE SHIPPED AS COMPLETE UNITS, STEEL BANDED, AND SHALL BE WRAPPED TO PROTECT FROM MOISTURE AND DIRT DURING TRANSIT AND STORAGE.
- LOCATION OF FABRICATION PLANT - 70 SOUTH STREET WALPOLE, MA 02081
- COSMEC, INC. REPRESENTATIVE - MR. MATT McANDREWS (508) 668-6600
- BEARINGS SHALL BE STORED IN A CLEAN, DRY, LEVEL UPRIGHT POSITION.
- UNITS: INCH[mm]
- BEARINGS MUST NOT BE DISASSEMBLED
- ALL BEARINGS SHALL BE METALLIZED AS PER SECTION 531.04(B) & 506.15 (a) & (b). AREAS OF METALLIZED DAMAGED BY FIELD WELDS OR HANDLING SHALL BE REPAIRED PER SUPPLEMENTAL SPECIFICATION 513.06(F).
- PRIOR TO METALLIZING, ALL CORNERS AND EDGES OF STEEL PLATES, SHAPES, ETC. SHALL BE GROUND TO A 1/16" [1.6] RADIUS.

**MATERIALS**

STEEL - ASTM A709 GRADE 36, ZINC METALLIZED & SEALED  
 PREFORMED FABRIC PAD - AASHTO DIV. II SPEC. 18.4.9.1  
 ANCHOR BOLTS - ASTM F1554 GRADE 55  
 ELASTOMER - AASHTO 50 DUROMETER NEOPRENE  
 BRASS SEALING RINGS - ASTM B.36 HALF HARD



DETAIL A - BEARING  
N.T.S.

ANCHOR BOLT DETAIL  
N.T.S.

RECEIVED  
 CK'D BY JWC OK'D BY JCF  
 SEP 22 2005  
 RESUBMIT APPROVED  
 BY TBS DATE 11/2/05

STATE OF VERMONT  
 AGENCY OF TRANSPORTATION  
 TOWN OF HARTLAND  
 U.S. ROUTE 5 OVER LULLS BROOK  
 BRIDGE NO. 60

<b>COSMEC, INC.</b>		70 SOUTH STREET WALPOLE, MA 02081	
SCALE: 1/8"=1"	DRAWN BY: MRR	CHECKED BY: MCM	
DATE: 7-20-05	DATE: 8-17-05		
<b>COSMEC POT BEARINGS</b>			
CUSTOMER MILLER CONSTRUCTION, INC.	S.O. NUMBER 60304	DRAWING NUMBER 4460	REV.

REV.	BY	DATE	OK'D	DATE