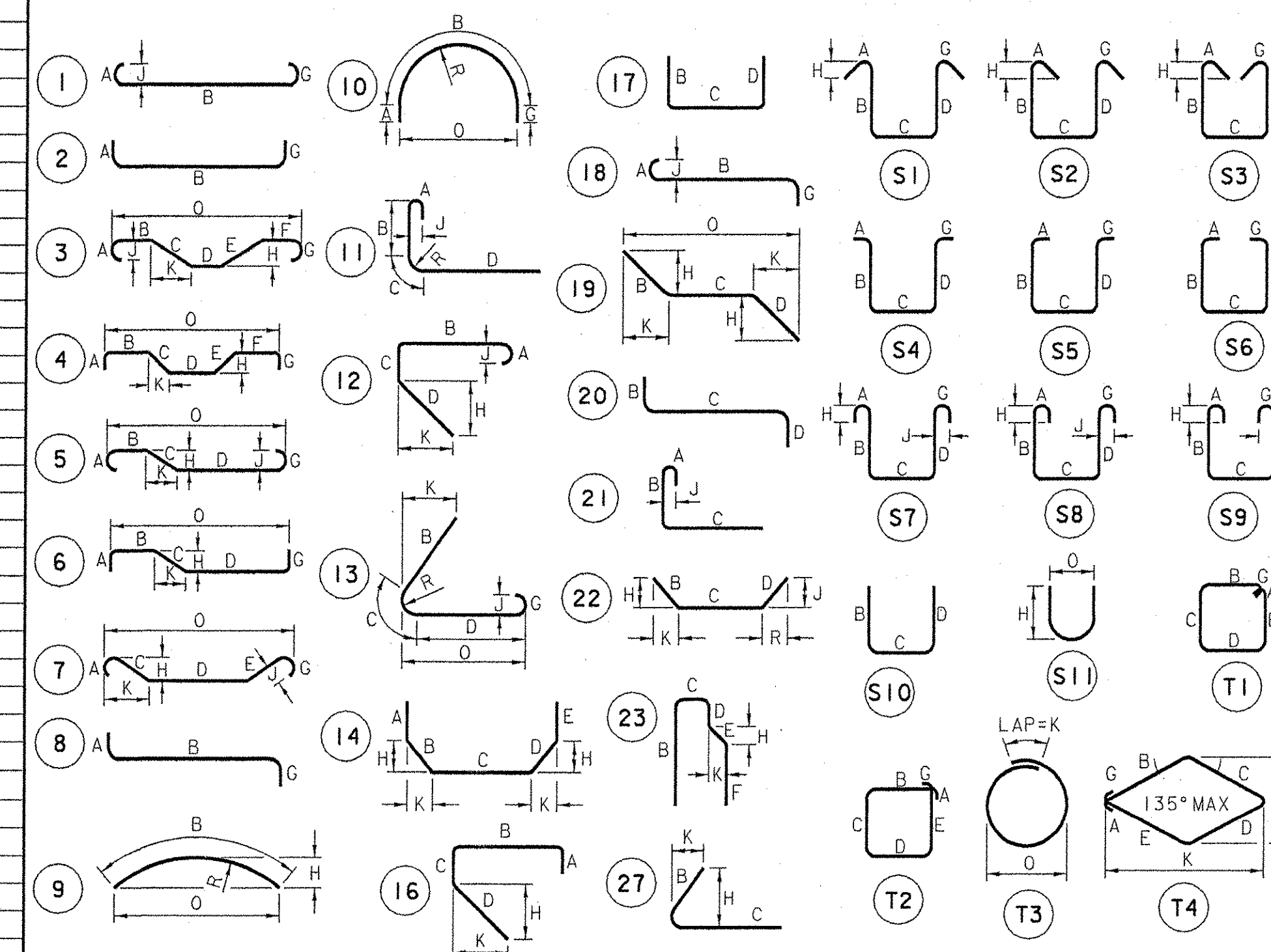


NOTES

- UNLESS OTHERWISE DESIGNATED, ALL BAR REINFORCEMENT FOR CONCRETE IN SIZES UP TO AND INCLUDING 55M SHALL CONFORM TO THE REQUIREMENT OF THE "SPECIFICATIONS FOR DEFORMED BILLET-STEEL BARS FOR CONCRETE REINFORCEMENT", AASHTO M 31M (ASTM A 615M-S1). ALL BARS SHALL BE GRADE 400, UNLESS OTHERWISE DESIGNATED.
- FOR TYPICAL BENDING DETAILS, RECOMMENDED PIN DIAMETER "D" OF BENDS AND HOOKS, AND OTHER STANDARD PRACTICE, SEE CURRENT CONCRETE REINFORCING STEEL INSTITUTE "MANUAL OF STANDARD PRACTICE".
- BARS WHICH REQUIRE MORE ACCURATE BENDING THAN STANDARD PRACTICES SHOULD HAVE LIMITS INDICATED.
- ALL DIMENSIONS ARE OUT TO OUT OF BAR EXCEPT "A" AND "G" ON STANDARD 180 DEGREE AND 135 DEGREE HOOKS.
- "J" DIMENSION ON 180 DEGREE HOOKS ARE TO BE SHOWN ONLY WHEN NECESSARY TO RESTRICT HOOK SIZE. OTHERWISE, STANDARD HOOKS ARE TO BE USED.
- "H" DIMENSION ON STIRRUPS ARE TO BE SHOWN ONLY WHEN NECESSARY TO MAINTAIN CLEARANCES.
- WHERE SLOPE DIFFERS FROM 45 DEGREES, DIMENSIONS "H" AND "K" MUST BE SHOWN.
- ▲ DENOTES BARS TO BE CUT IN FIELD.
- * DENOTES ONE EXTRA BAR ADDED FOR TESTING PURPOSES.
- △ DENOTES TWO EXTRA BARS ADDED FOR TESTING PURPOSES.
- "E" IN PREFIX DENOTES EPOXY COATED REINFORCING STEEL.



ASTM STANDARD REINFORCING BARS				STATE OF VERMONT AGENCY OF TRANSPORTATION		
BAR SIZE DESIGNATION	NOMINAL MAX. WT. Kgf/m	NOMINAL DIMENSIONS ROUND SECTION			TOWN OF	BRIDGE NO.
		DIA. mm	GROSS SEC. AREA mm ²	PER METER mm		
10	0.560	9.5	71	29.84	HARTLAND	60
13	0.994	12.7	129	39.90	U.S. ROUTE 5	
16	1.552	15.9	199	49.95	U.S. ROUTE 5 OVER LULLS BROOK	
19	2.235	19.1	284	60.00	REINFORCING BAR SCHEDULE	
22	3.042	22.2	387	69.74	Designed By	S. BAKI
25	3.973	25.4	510	79.80	Checked By	Date
29	5.060	28.7	645	90.16	Drawn By	W. GAYNOR
32	6.404	32.3	819	101.47	Bridge Design Supervisor	J. MIECZKOWSKI
36	7.907	35.8	1006	112.47	PROJECT	HARTLAND
43	11.380	43.0	1452	135.09	PROJECT NO.	BRS No. 0113(22)
57	20.240	57.3	2581	180.01	I.G.C. Info. M:\1456201 VA0T Hartland\struct\zf204rbs.dgn	

ITEM NO.	SIZE	LENGTH	MARK	TYPE	A	B	C	D	E	F	G	H	J	K	R	O	ITEM NO.	SIZE	LENGTH	MARK	TYPE	A	B	C	D	E	F	G	H	J	K	R	O					
ABUTMENT 2																																						
24	16	5.970	2A1601	STR													100																					
39	16	3.705	2A1602	17		1.230	2.475										101																					
12	16	8.600	2A1603	STR													102																					
5	16	1.220	2A1604	STR													103																					
4	16	2.800	2A1605	STR													104																					
16	16	2.790	2A1606	STR													105																					
20	16	5.300	2A1607	STR													106																					
4	16	4.540	2A1608	STR													107																					
10	16	4.030	2A1609	19		0.610	3.420					0.590		0.155			108																					
10	16	3.110	2A1610	19		0.610	2.500					0.590		0.155			109																					
40	16	2.270	2A1611	14	0.610	0.720	0.330		0.610			0.031		0.719			110																					
42	16	1.250	2A1612	STR													111																					
24	16	2.480	2A1613	STR													112																					
12	16	8.580	2A1614	STR													113																					
8	16	7.325	2A1615	STR													114																					
4	16	4.885	2A1616	STR													115																					
9	16	5.100	2A1617	22		0.610	3.880	0.610				0.372	0.372	0.483	0.483		116																					
39	16	2.340	2A1618	STR													117																					
8	16	5.440	2A1619	STR													118																					
42	16	6.360	2A1620	STR													119																					
18	16	3.210	2A1621	19		0.610	2.600					0.590		0.155			120																					
4	16	6.090	E2A1622	STR													121																					
34	16	2.280	2A1623	16	0.610	0.555	0.365	0.750				0.530		0.530			122																					
2	16	3.070	2A1624	STR													123																					
41	16	2.470	E2A1625	17		1.110	0.250	1.110									124																					
86	19	3.375	2A1901	STR													125																					
20	25	1.880	2A2501	19		0.840	1.040										126																					
43	29	4.960	2A2901	17		3.010	1.950										127																					
WINGWALL 3																																						
24	16	4.050	3W1601	STR													128																					
9	16	3.730	3W1602	17		1.230	2.500										129																					
20	16	3.030	3W1603	STR													130																					
10	16	3.290	3W1604	6		0.610	1.410	1.270						0.997	0.997		131																					
10	16	2.350	3W1605	20		0.790	0.950	0.610									132																					
9	16	3.130	3W1606	17		1.180	1.950										133																					
1	16	2.750	3W1607	STR													134																					
9	16	5.500	3W1608	STR													135																					
9	16	3.650	3W1609	6		0.610	1.770	1.270						1.252	1.252		136																					
9	16	2.470	3W1610	20		0.610	1.250	0.610									137																					
38	16	2.450	3W1611	STR													138																					
19	16	5.130	3W1612	17		3.905	1.225										139																					
19	16	2.880	3W1613	17		1.180	1.700										140																					
18	16	2.480	3W1614	2	0.250	2.230											141																					
9	16	2.795	3W1615	STR													142																					
7	16	2.670	3W1616	STR													143																					
5	16	2.670	3W1617	STR													144																					
32	16	2.299	3W1618	23	0.935	0.425		</																														