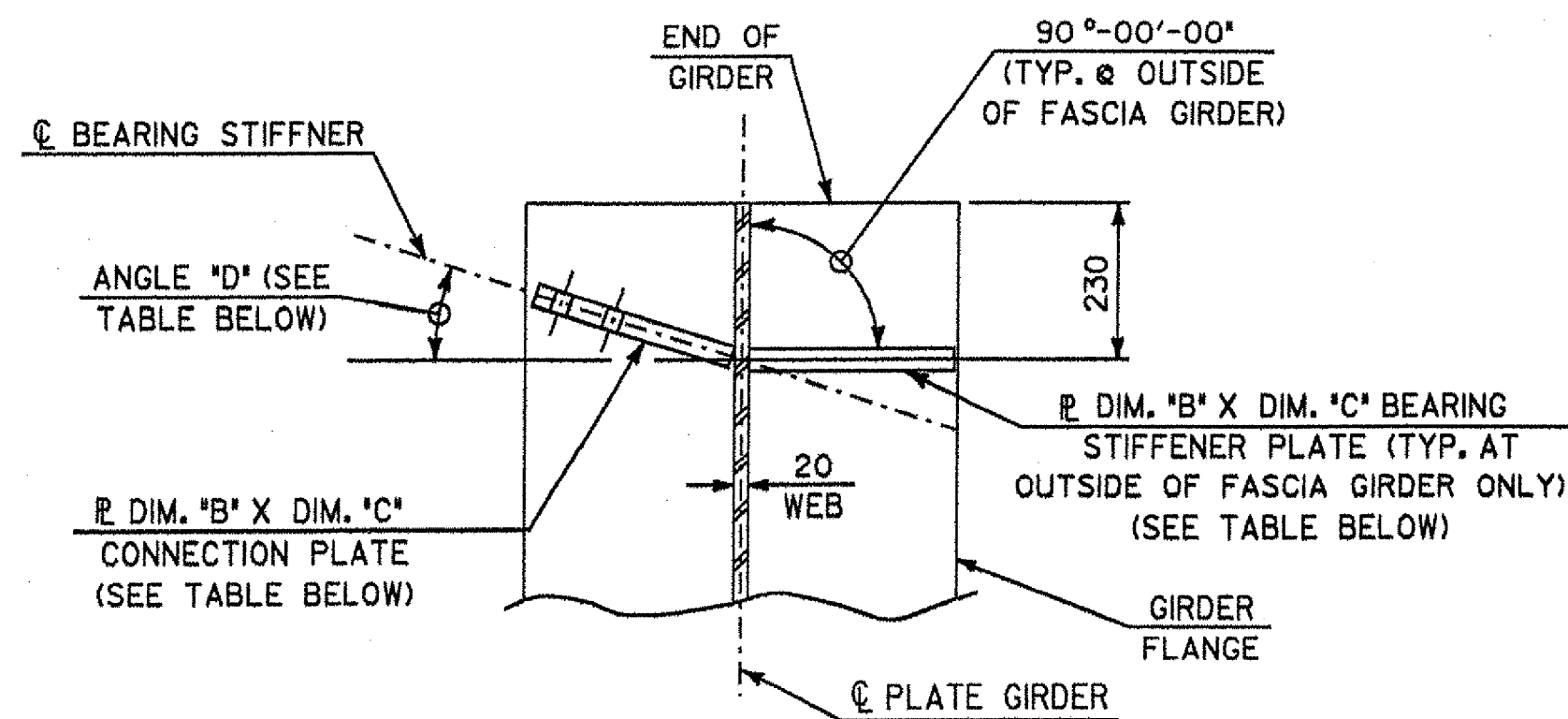


SECTION A-A



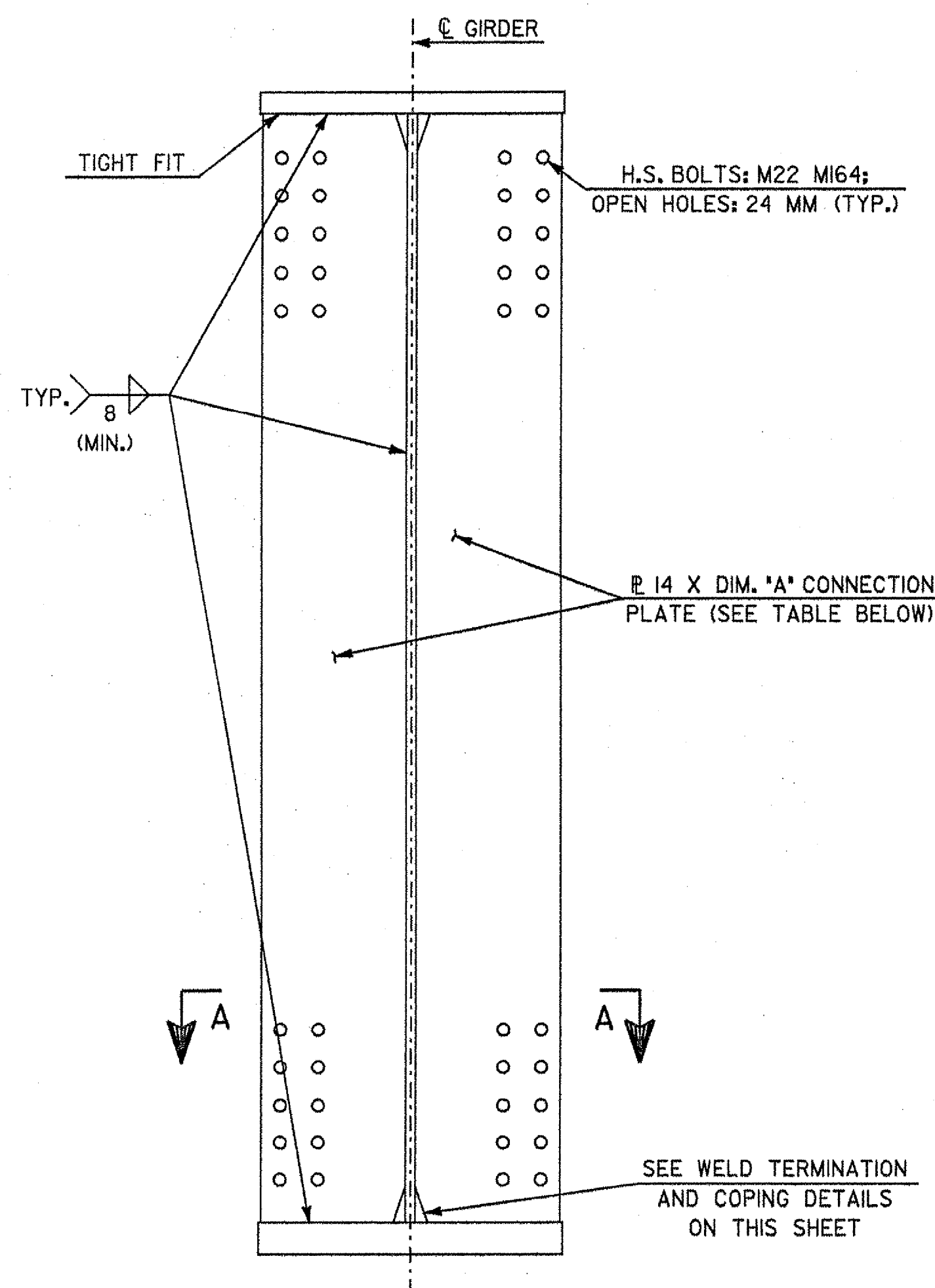
SCALE IN MILLIMETERS
NOTE: NO CONNECTION PLATE AT OUTSIDE OF FASCIA GIRDER.



SECTION B-B



SCALE IN MILLIMETERS

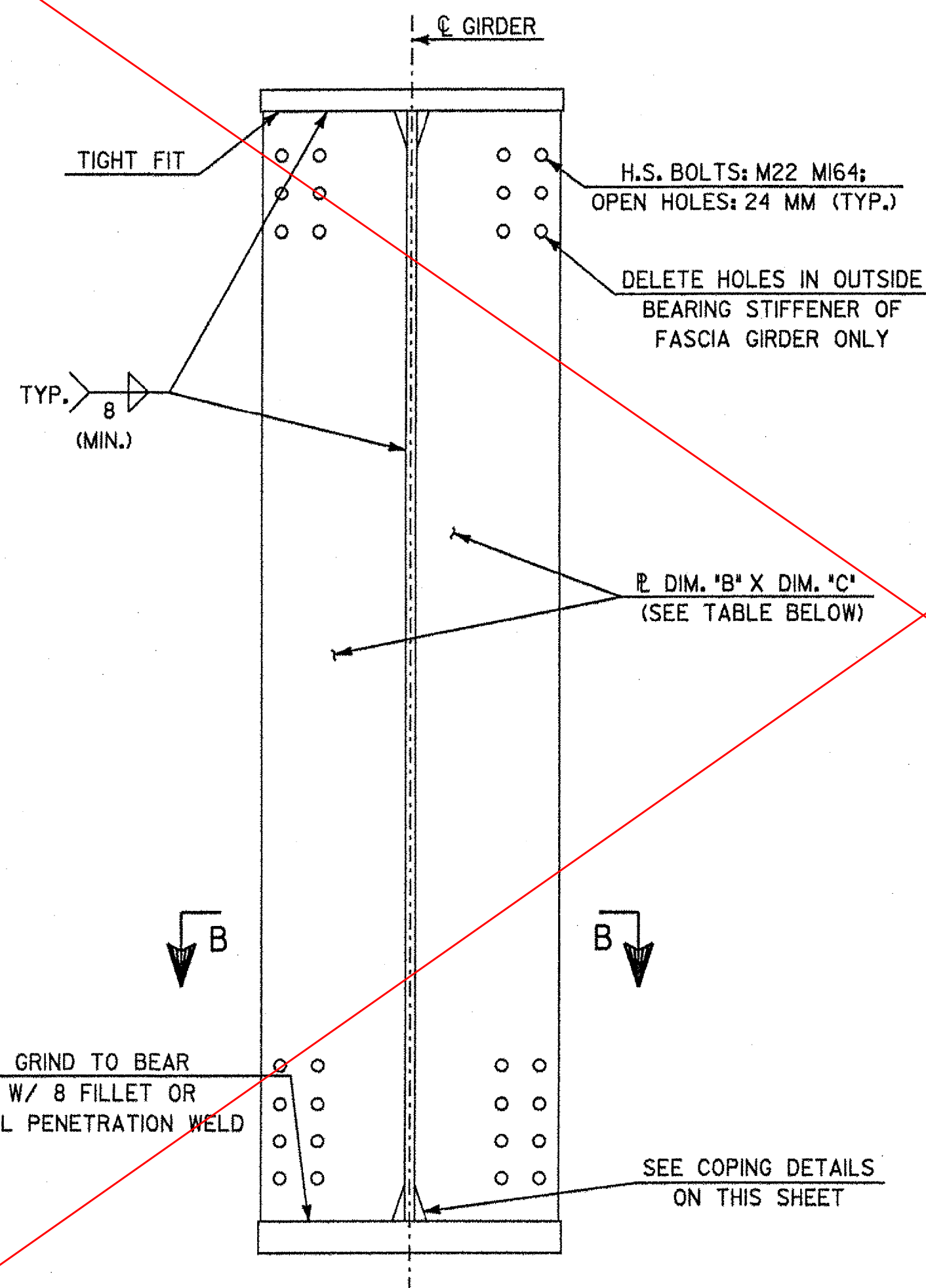


INTERMEDIATE CROSS FRAME CONNECTION PLATE DETAIL



TABLE OF CONNECTION PLATE DIMENSIONS

GIRDER	DIMENSION 'A'
G1	290
G2	290
G3	215
G4	190
G5	190



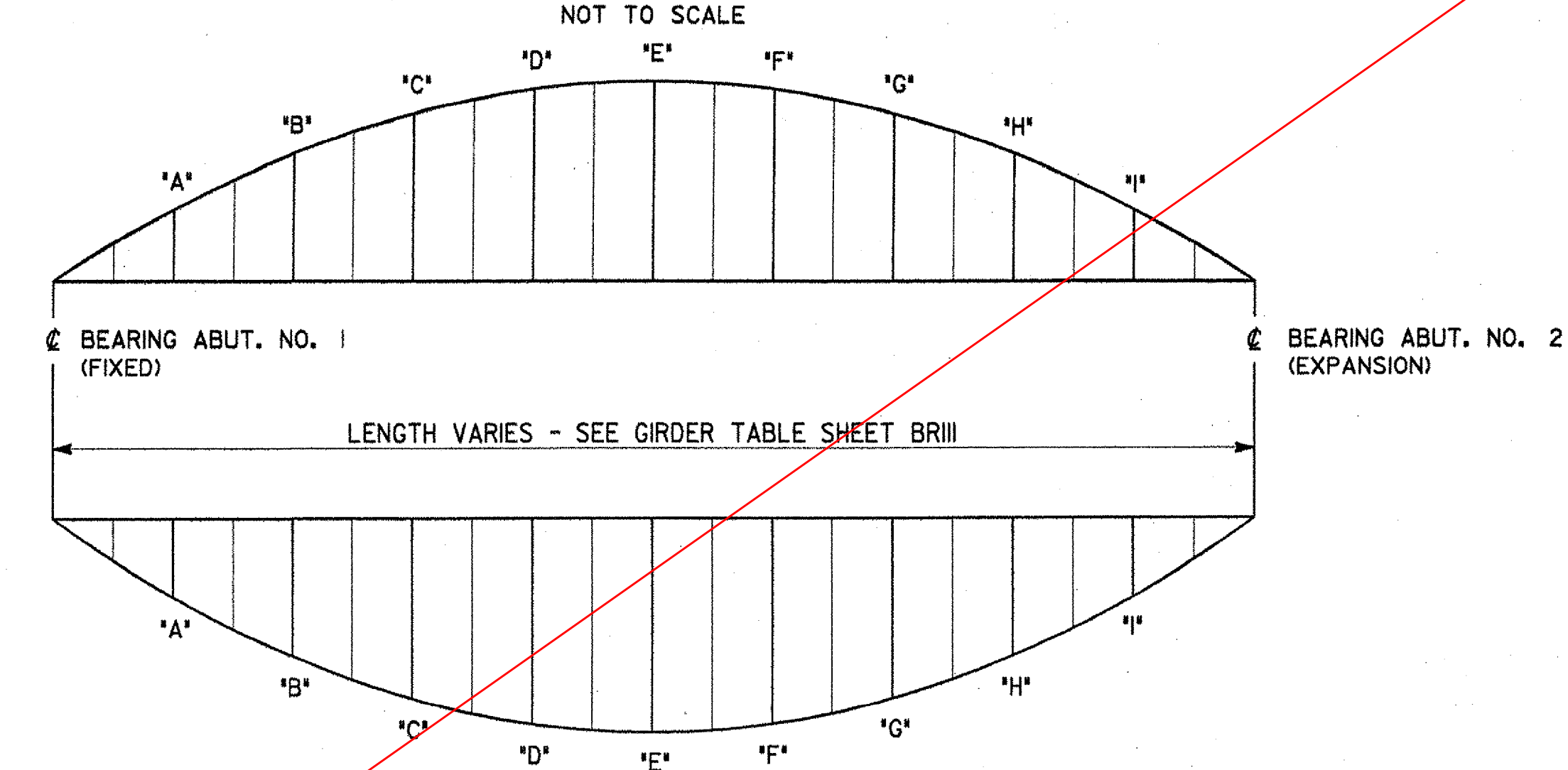
ABUTMENT CROSS FRAME BEARING STIFFENER AND CONNECTION PLATE DETAIL



TABLE OF BEARING STIFFENER & CONNECTION PLATE DIMENSIONS

GIRDER NO.	DIMENSION 'B'	DIMENSION 'C'	ABUTMENT #1		ABUTMENT #2	
			ANGLE 'D'	ANGLE 'D'	ANGLE 'D'	ANGLE 'D'
G1	32	290	19°-00'-15.8"	14°-15'-57.6"		
G2	32	290	19°-29'-21.2"	14°-37'-25.3"		
G3	25	215	20°-00'-00.0"	15°-00'-00.0"		
G4	22	190	20°-32'-20.2"	15°-23'-47.2"		
G5	22	190	21°-06'-30.5"	15°-48'-52.9"		

CAMBER DIAGRAM



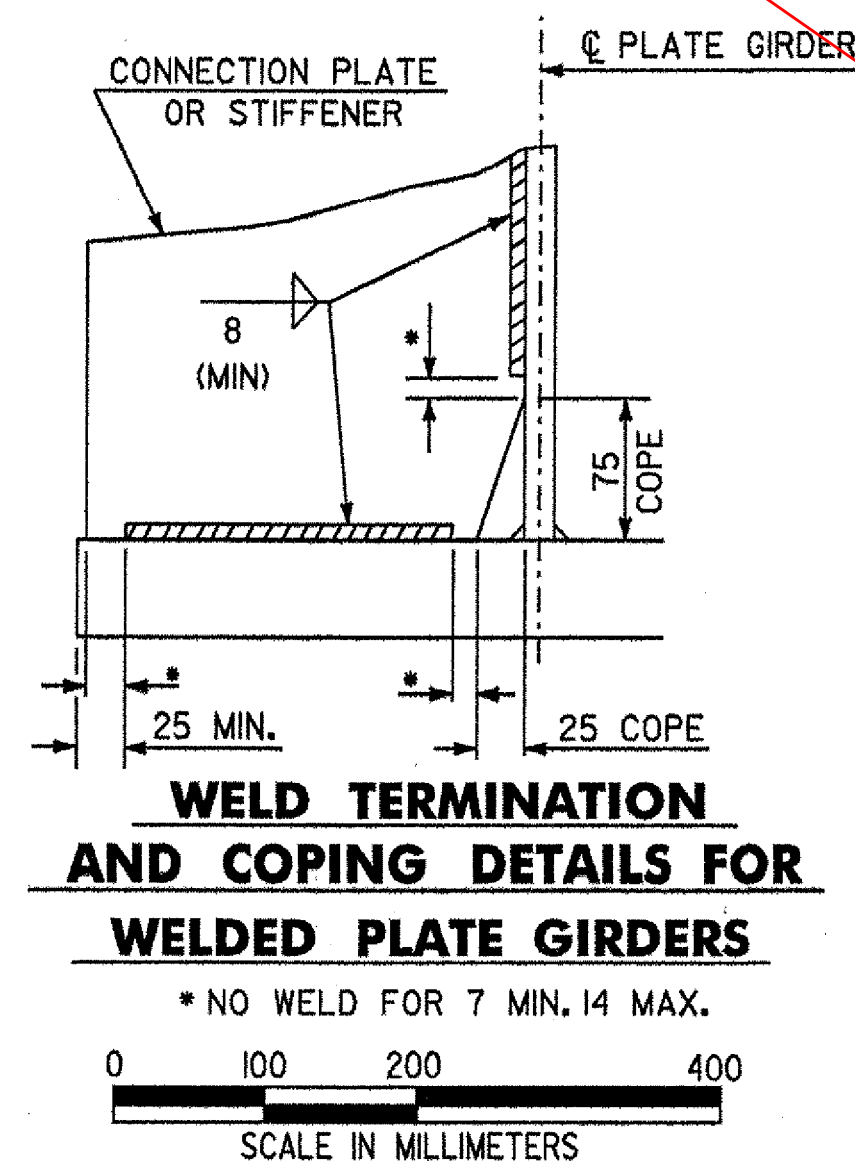
DL DEFLECTION DIAGRAM

NOT TO SCALE
CAMBER AND DEFLECTION MEASUREMENTS ARE GIVEN IN MILLIMETERS AT TENTH POINTS

CAMBER AND DL DEFLECTION ORDINATE SCHEDULE

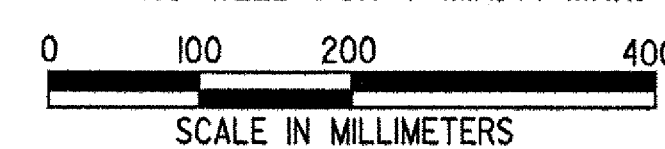
L = TOTAL LENGTH @ BRG. ABUT. NO. 1 TO @ BRG. ABUT. NO. 2 (SEE GIRDER TABLE SHEET BR111)

GIRDER NO.	@ BRG. ABUT. NO. 1	'A' 0.10L	'B' 0.20L	'C' 0.30L	'D' 0.40L	'E' 0.50L	'F' 0.60L	'G' 0.70L	'H' 0.80L	'I' 0.90L	@ BRG. ABUT. NO. 2	
1	CAMBER	0	64	117	158	184	192	184	158	118	65	0
	DL DEFLECTION	0	-40	-75	-103	-121	-127	-121	-103	-76	-41	0
2	CAMBER	0	57	103	139	162	170	164	142	106	59	0
	DL DEFLECTION	0	-33	-62	-85	-100	-106	-102	-88	-65	-35	0
3	CAMBER	0	48	90	122	142	150	144	126	94	51	0
	DL DEFLECTION	0	-26	-50	-69	-82	-87	-84	-73	-54	-29	0
4	CAMBER	0	43	80	108	125	132	126	110	82	45	0
	DL DEFLECTION	0	-21	-41	-56	-66	-70	-67	-58	-43	-23	0
5	CAMBER	0	40	72	96	110	115	109	94	71	39	0
	DL DEFLECTION	0	-17	-32	-44	-51	-53	-50	-42	-31	-16	0



WELD TERMINATION AND COPING DETAILS FOR WELDED PLATE GIRDERS

* NO WELD FOR 7 MIN. 14 MAX.



SHEET REVISED

STATE OF VERMONT AGENCY OF TRANSPORTATION

Town Of	HARTLAND	Bridge No.	60
Highway No.	U.S. ROUTE 5	Log Sta.	
		Surv. Sta.	
U.S. ROUTE 5 OVER LULLS BROOK			

MISC. GIRDER DETAILS

Designed By	S. BAKI	Drawn By	W. GAYNOR
Checked By	S. BAKI	Date	
		Bridge Design Supervisor	J. MIECZKOWSKI
		Date	
PROJECT	HARTLAND	PROJECT NO.	BRS No. Q113(22)
I.G.C. Info. M:\145620\VA0T Hartland\struct\zf204cdt.dgn			
Bridge Sheet No. BR113		Sheet 48 of 86	