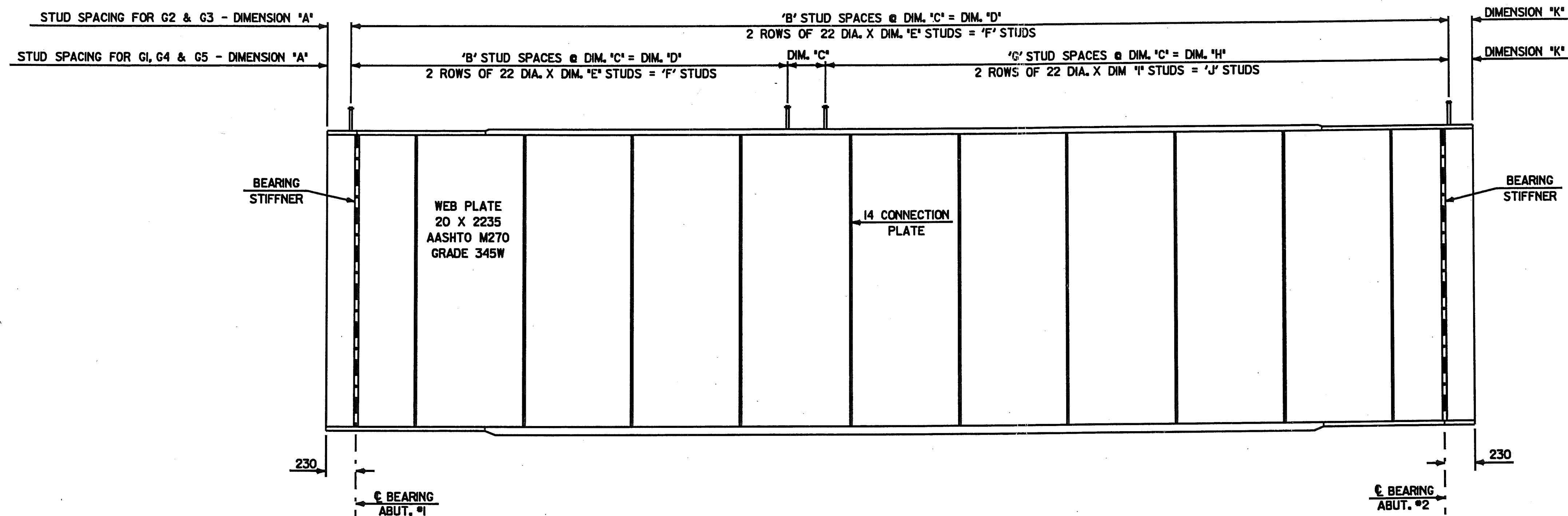
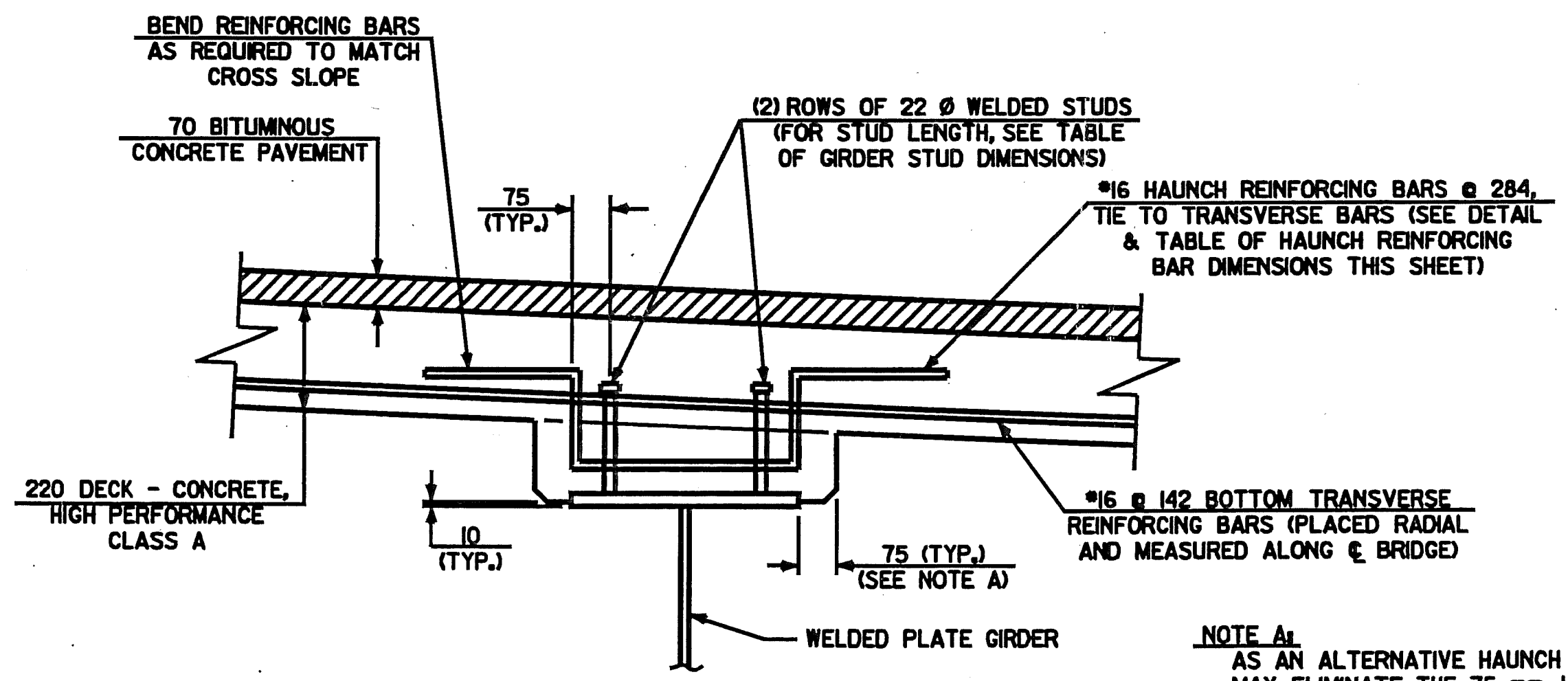


Revised Sheet  
As per MJ Memo  
3/24/05  
Job No. 14562.01

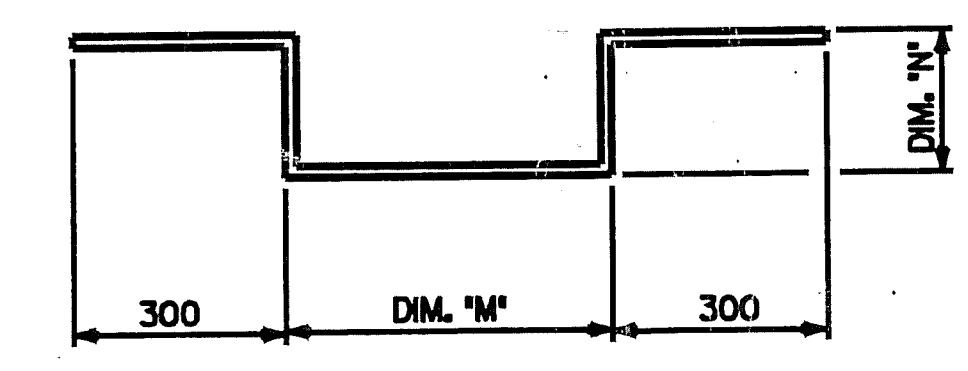


**GIRDER ELEVATION**  
NOT TO SCALE

TABLE OF GIRDER STUD DIMENSIONS											
GIRDER NO.	DIM. 'A'	NO. OF SPA.	STUD SPA. DIM. 'C'	DIM. 'D'	STUD LENGTH DIM. 'E'	NO. OF STUDS 'F'	NO. OF SPA. 'G'	DIM. 'H'	STUD LENGTH DIM. 'I'	NO. OF STUDS 'J'	DIM. 'K'
G1	215	22	355	780	225	46	101	35055	178	204	215
G2	197	131	330	43230	178	264	-	-	-	-	197
G3	278	119	355	42245	178	240	-	-	-	-	277
G4	253	94	432	40608	178	190	1	432	225	4	253
G5	242	82	457	37474	178	166	6	2742	225	14	242



**REINFORCED HAUNCH DETAIL**  
NOT TO SCALE



**HAUNCH REINFORCING BAR DETAIL**  
NOT TO SCALE

TABLE OF HAUNCH REINFORCING BAR DIMENSIONS						
GIRDER NO.	LOCATION ALONG C GIRDER	FROM	TO	DIM. 'M'	DIM. 'N'	NO. OF BARS REQUIRED
G1	C ABUT. #1		13197	610	200	48
G2	C ABUT. #1		6132	610	150	23
G3	NONE			-	-	-
G4	C ABUT. #2		2999	410	150	12
G5	C ABUT. #2		4307	410	200	17

**NOTE A:**  
AS AN ALTERNATIVE HAUNCH FORMING SYSTEM, THE CONTRACTOR MAY ELIMINATE THE 75 mm HORIZONTAL SECTION, BUT ONLY WITH THE APPROVAL OF THE STRUCTURES ENGINEER. IF THE CONTRACTOR DOES ELIMINATE THE 75 mm HORIZONTAL SECTION, THE HAUNCH REINFORCING BAR DIMENSIONS SHOWN IN THE TABLE MUST BE ADJUSTED TO MATCH.

**NOTES:**  
1. FOR STUD LENGTH, SEE TABLE OF GIRDER STUD DIMENSIONS ON THIS SHEET.  
2. FOR LOCATION OF HAUNCH REINFORCEMENT BARS, SEE TABLE OF HAUNCH REINFORCEMENT DIMENSIONS ON THIS SHEET.

**STATE OF VERMONT**  
**AGENCY OF TRANSPORTATION**

Town Of	HARTLAND	Bridge No.	60
Highway No.	U.S. ROUTE 5	Log Sta.	
		Surv. Sta.	
U.S. ROUTE 5 OVER LULLS BROOK			
<b>HAUNCH REINFORCING DETAILS</b>			
Designed By	W. GAYNOR	Drawn By	W. GAYNOR
Checked By	Y. LIU	Date	
		Bridge Design Supervisor	J. MECZKOWSKI
		Date	
PROJECT	HARTLAND	PROJECT NO.	BRS No. 013(22)
L.G.C. Info. M:\1456201\VAOT Hartland\struat\z2f204fpl.dgn			
Bridge Sheet No.		Sheet	of