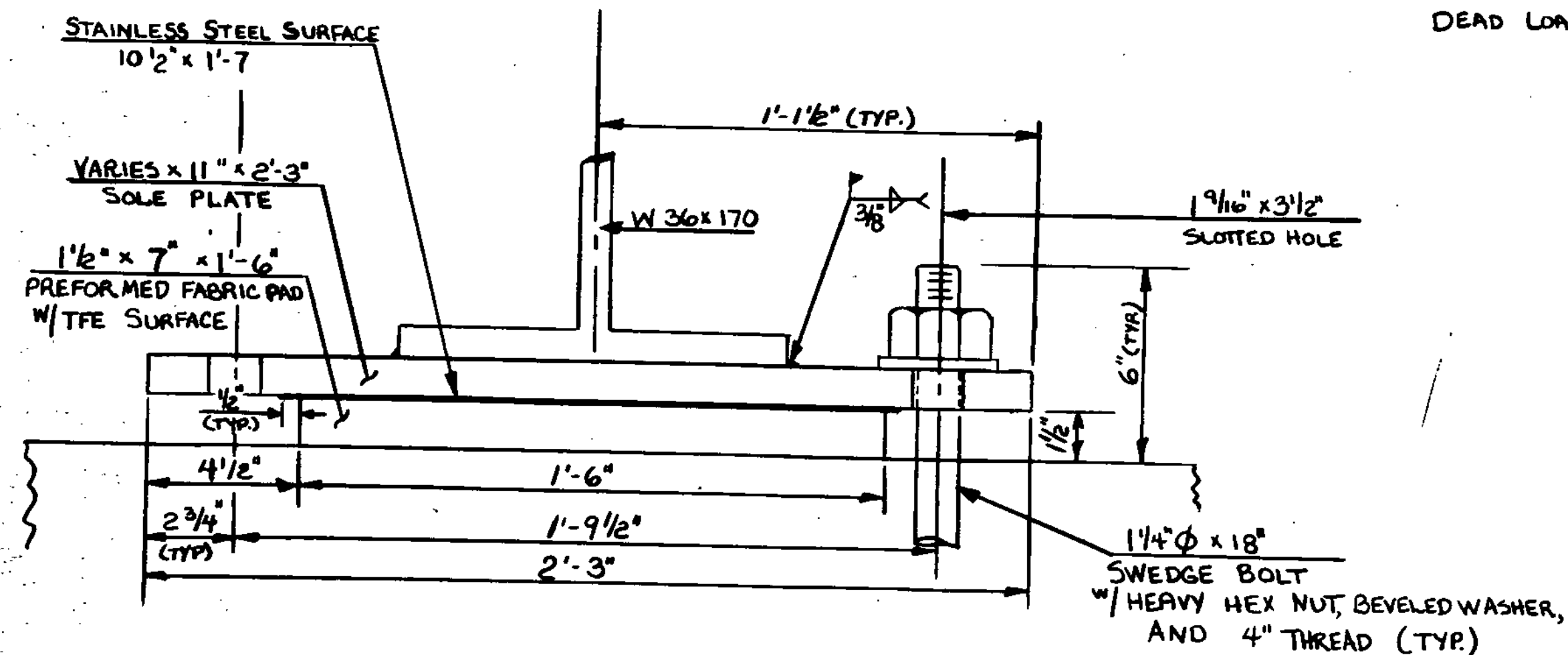
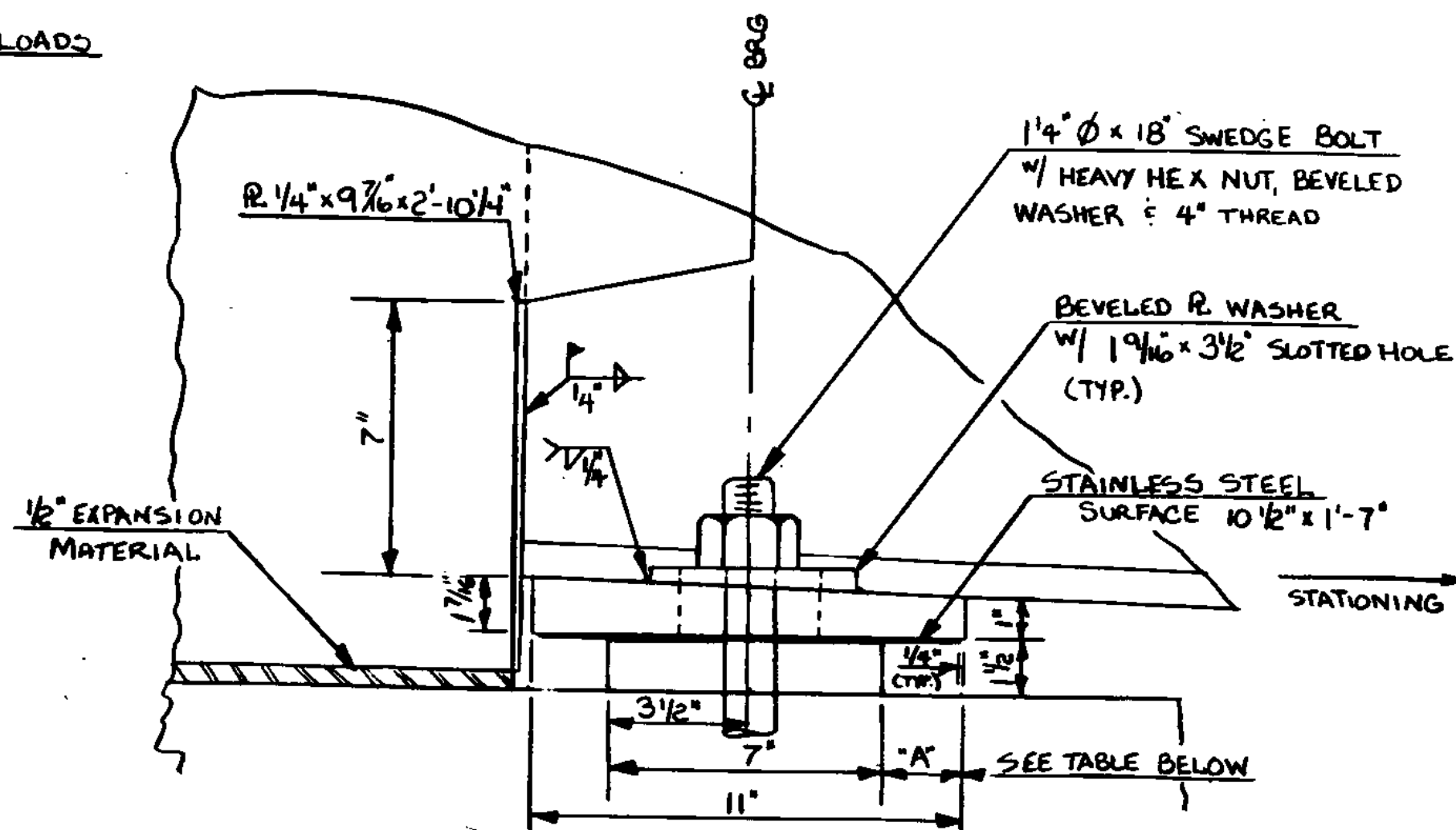


**EXPANSION BEARING DESIGN LOADS**

LIVE LOAD = 70<sup>k</sup>  
DEAD LOAD = 55<sup>k</sup>



FRONT VIEW - EXP. BRG.  
SCALE: 3" = 1'-0"



SIDE VIEW - EXP. BRG.  
SCALE: 3" = 1'-0"

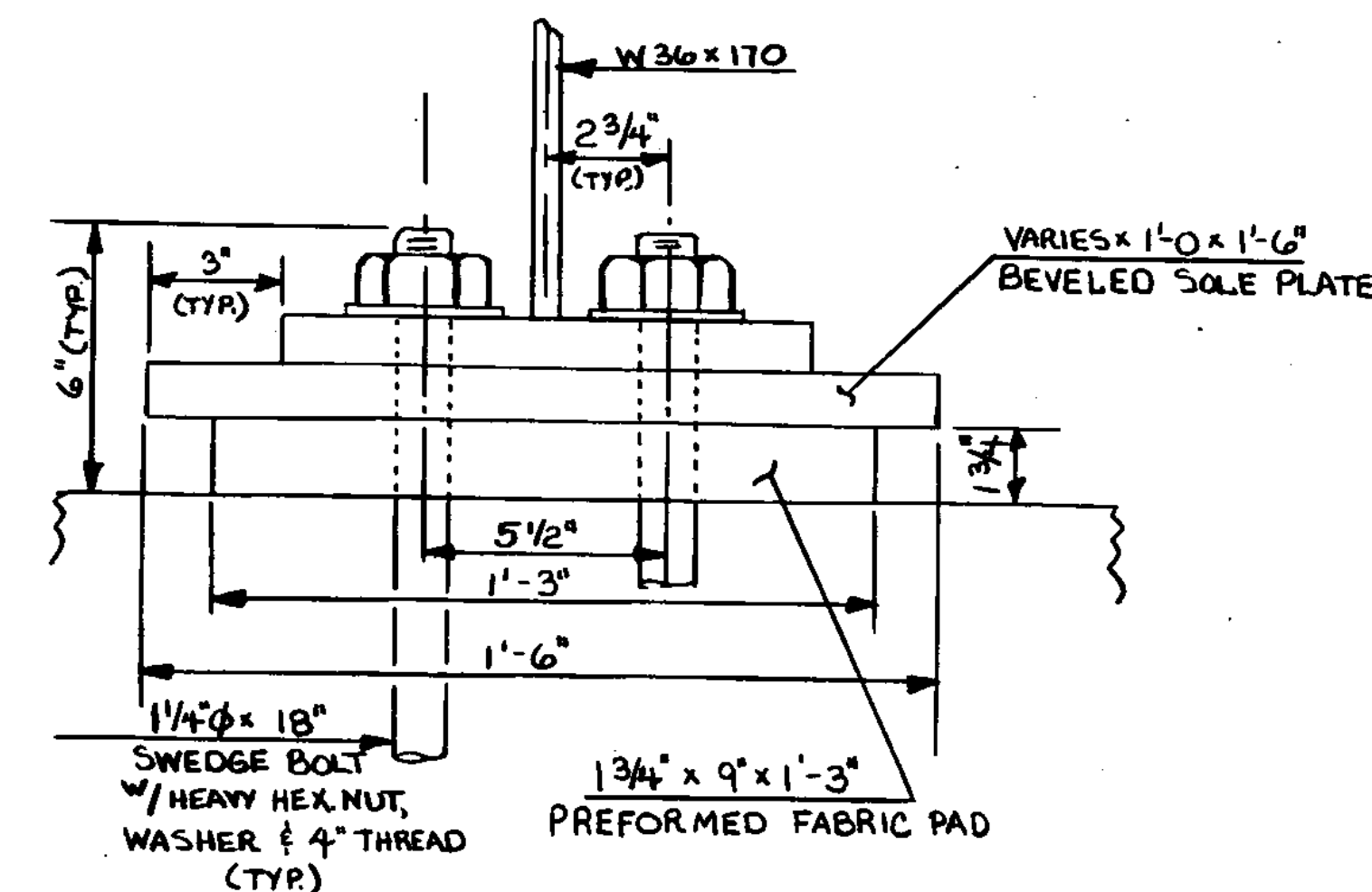
\* DIMENSION "A"

"F"	In.
0	2 5/8
15	2 9/16
30	2 7/16
45	2 3/8
60	2 5/16
75	2 3/16
90	2 1/8

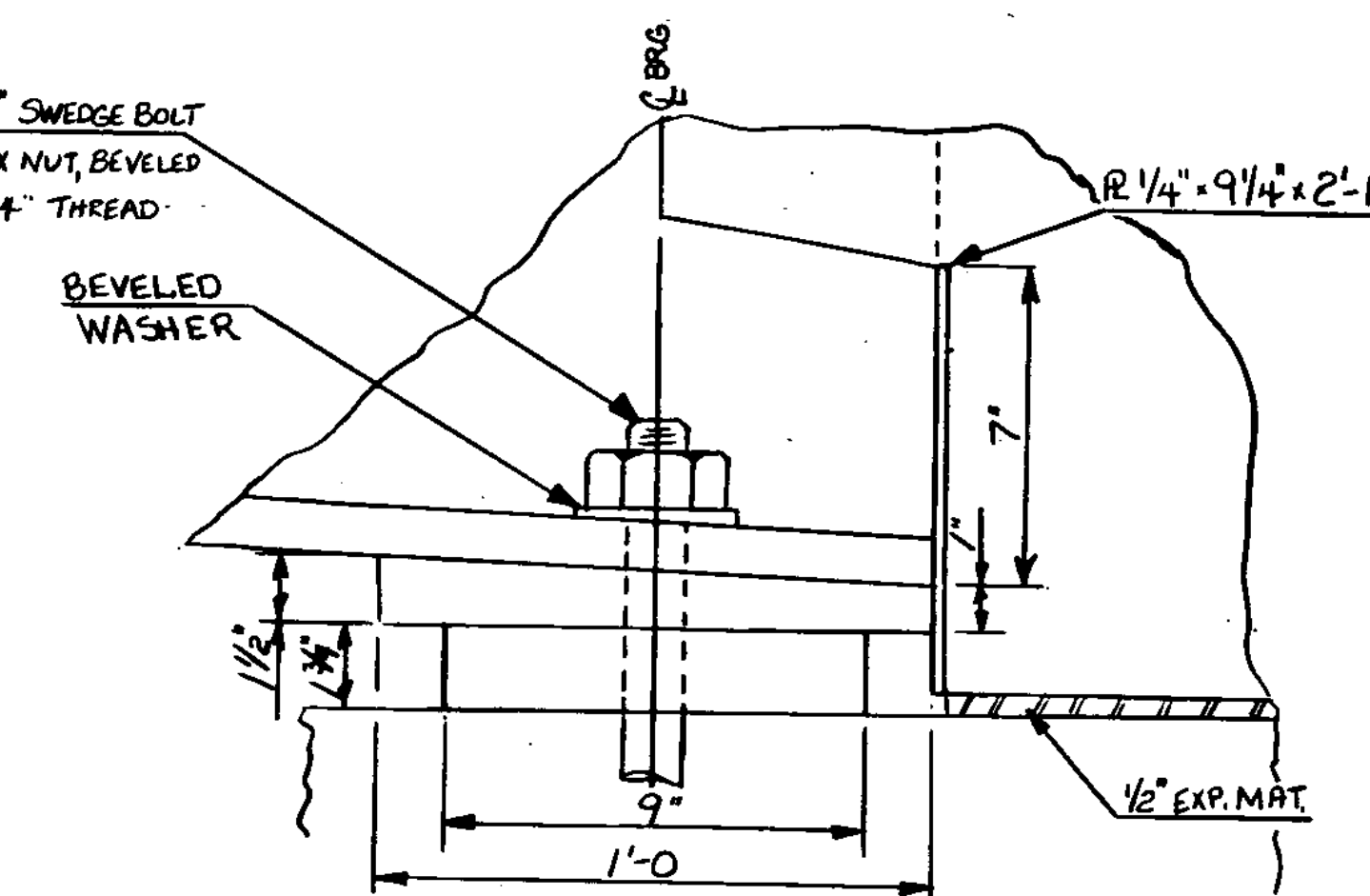
\* MEASUREMENT "A" PRIOR TO POURING OF DECK, TAKES INTO ACCOUNT BOTTOM FLANGE ELONGATION DUE TO DEAD LOAD DEFLECTION.

**FIXED BEARING DESIGN LOADS**

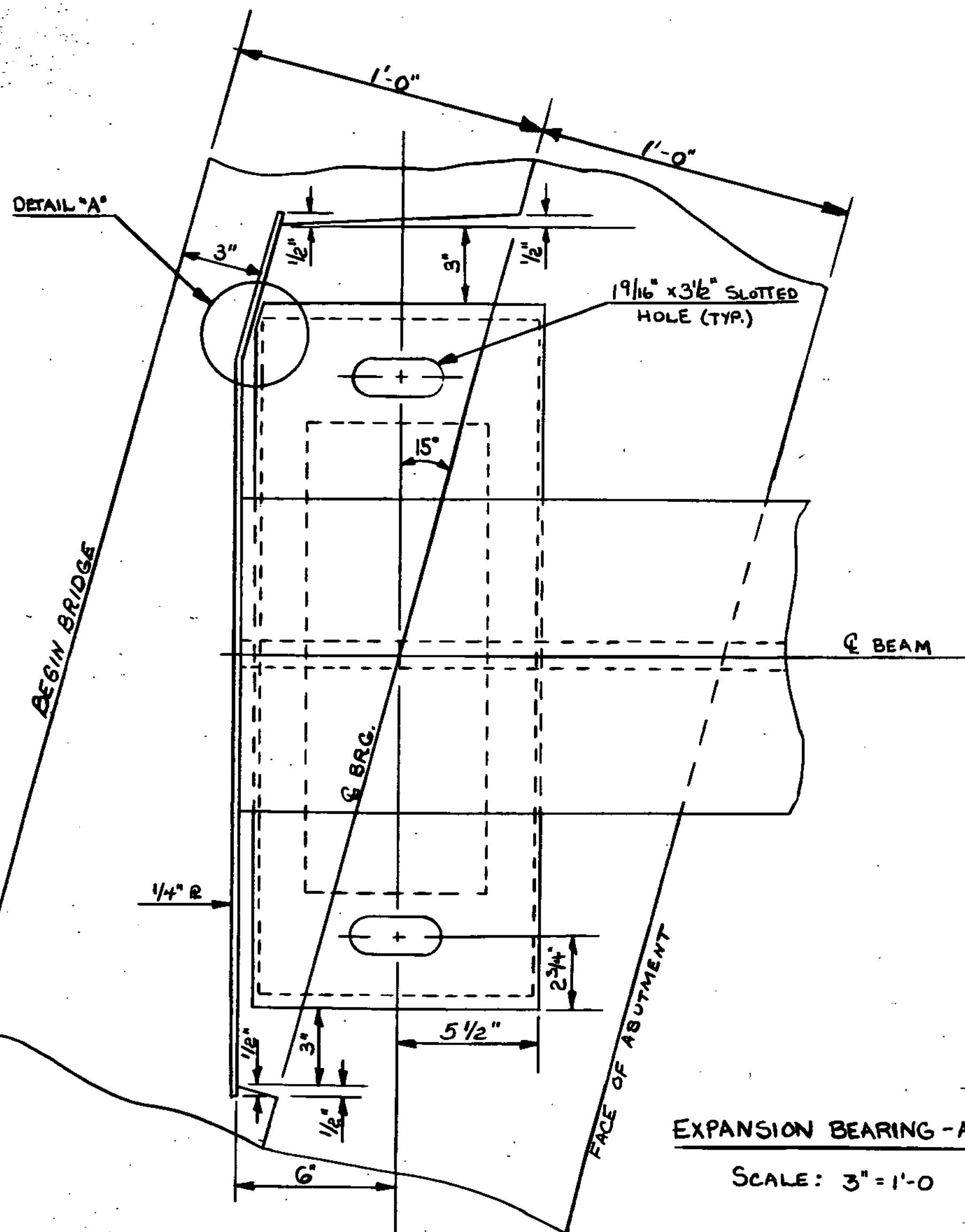
LIVE LOAD = 70<sup>k</sup>  
DEAD LOAD = 55<sup>k</sup>



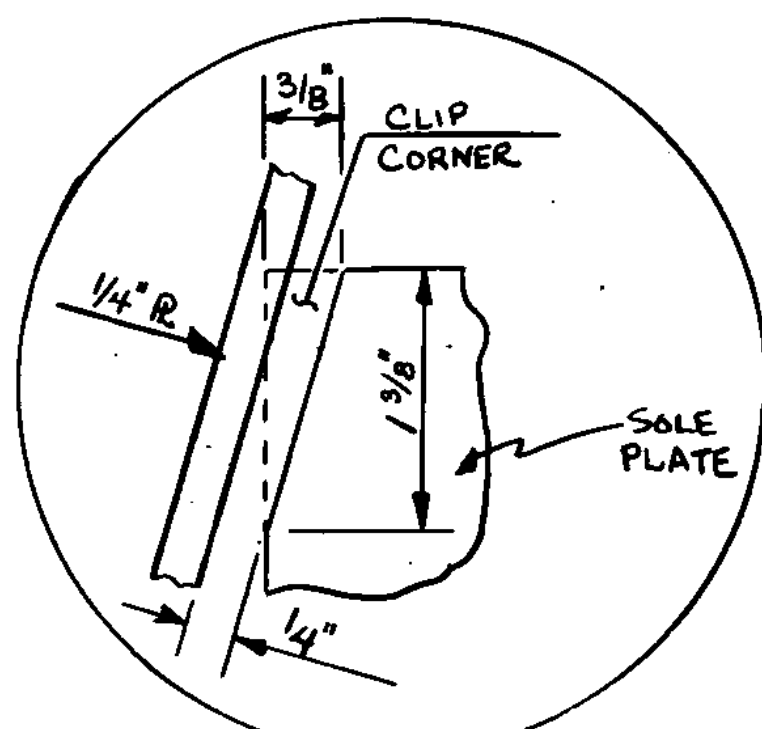
FRONT VIEW - FIXED BRG.  
SCALE: 3" = 1'-0"



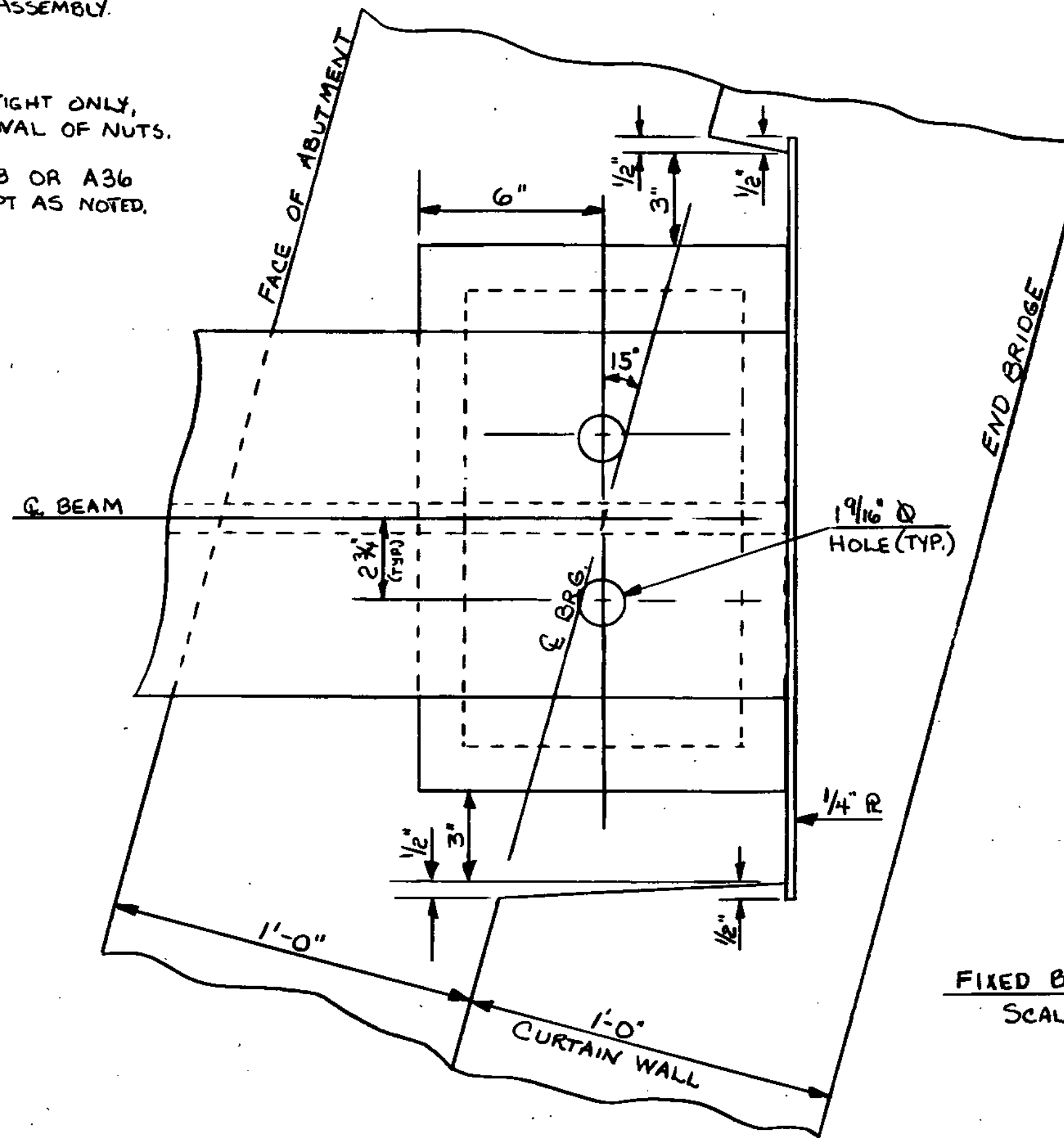
SIDE VIEW - FIXED BRG.  
SCALE: 3" = 1'-0"



EXPANSION BEARING - ABUT. 1  
SCALE: 3" = 1'-0"



DETAIL "A"  
SCALE: 1" = 1'-0"



FIXED BEARING - ABUT. 2  
SCALE: 3" = 1'-0"

**STATE OF VERMONT  
AGENCY OF TRANSPORTATION**

TOWN OF	FAIRFAX	Bridge No.	8
HIGHWAY NO.	Vt. 128	Log Sta.	9+56
		Surv. Sta.	24+21
VT. HIGHWAY 128 OVER BRONNS RIVER			
BEARING DEVICE DETAILS			
Designed by	P. ALDRICH	Drawn by	M. EVANS
Checked by	M. CERUTTI	Bridge Design Supervisor	F. L. Doherty
	date 10/83		date 1-04
PROJECT	FAIRFAX	PROJECT NO.	BR5-0229 (2)S
Bridge Sheet No.	BR807	Sheet	28 of 98