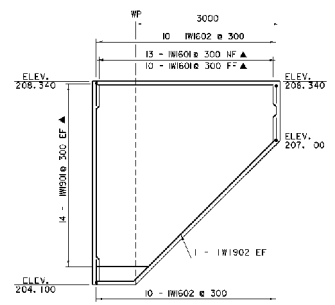


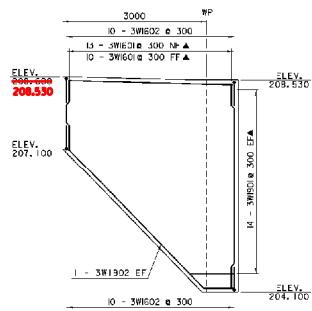
WINGWALL #2 ELEVATION

SCALE = 1:40



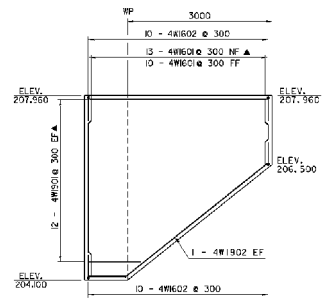
WINGWALL #1 ELEVATION

SCALE = 1:40



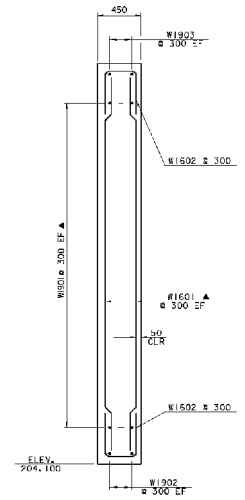
WINGWALL #3 ELEVATION

SCALE = 1:40



WINGWALL #4 ELEVATION

SCALE = 1:40

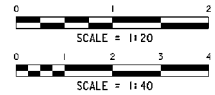


WINGWALL TYPICAL SECTION

SCALE = 1:20

NOTE:

- NF = NEAR FACE
- FF = FAR FACE
- EF = EACH FACE
- ▲ = CUI TO PII N FIELD
- RO CIFAR, 10M FSS OTHERWISE
- SPECIFIED ON THE PLANS.
- 600 BAR LAP UNLESS OTHERWISE SPECIFIED ON THE PLANS.



WINGWALL DETAILS

PROJECT NAME:	EAST MONTPELLIER	PLOT DATE:	F-JUL-2009
PROJECT NUMBER:	STP 037-2(9)	DRAWN BY:	M. PULLI
FILE NAME:	787202-01-1a7200aub.dwg	CHECKED BY:	G. BRODIE
DESIGNED BY:	J. LARON	SHEET	37 OF 67