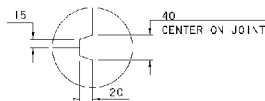


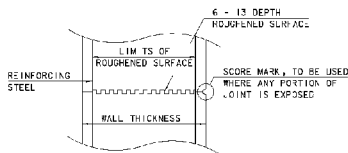
TYPICAL END SECTION

(NOT TO SCALE)



SCORE MARK DETAIL

(NOT TO SCALE)

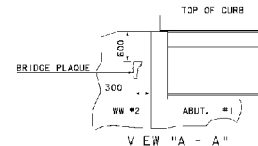
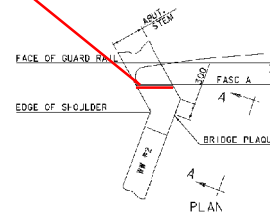


TYPICAL CONCRETE CONSTRUCTION JOINT

(NOT TO SCALE)

1. THE SURFACE OF THE CONCRETE CONSTRUCTION JOINT'S SHALL BE CLEANED AND FREE OF LAITANCE.
2. IMMEDIATELY BEFORE NEW CONCRETE IS PLACED, ALL CONSTRUCTION JOINTS SHALL BE WETTED AND STANDING WATER REMOVED.

1"2" PREFORMED JOINT FALLER CORNER PER S.HIGGINS 6-24-03

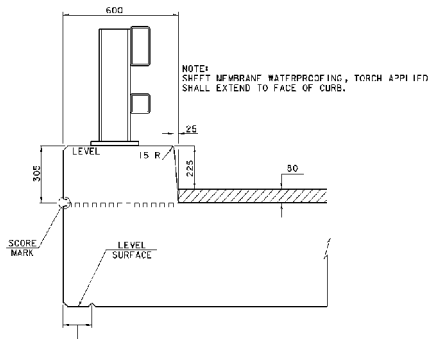


BRIDGE PLAQUE

(NOT TO SCALE)

THE BRIDGE PLAQUE WILL BE SUPPLIED BY THE AGENCY OF TRANSPORTATION AND SHALL BE INSTALLED BY THE CONTRACTOR AT ABUTMENT #1 ON THE RIGHT SIDE AS SHOWN OR AS DIRECTED BY THE ENGINEER.

PAYMENT FOR INSTALLATION OF THE BRIDGE PLAQUE SHALL BE INCIDENTAL TO THE ADJACENT CONCRETE.



TYPICAL 600 CURB SECTION

(NOT TO SCALE)

150 TO 20 MINIMUM STOP DRIP NOTCH 300 FROM FACE OF ABUTMENT AND OUTLET AT 45° TO FASCIA

MISCELLANEOUS DETAILS

PROJECT NAME:	EAST MONTPELIER	PLLOT DATE:	8-JUL-2008
PROJECT NUMBER:	STP 037-2(9)	DRAWN BY:	M. HULLI
FILE NAME:	787200.dwg	DESIGNED BY:	J. LACROIX
PROJECT LEADER:	S. HIGGINS	CHECKED BY:	J. LACROIX
		SHEET	33 OF 67