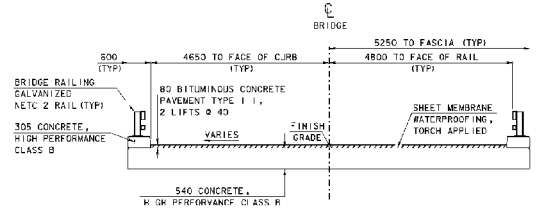
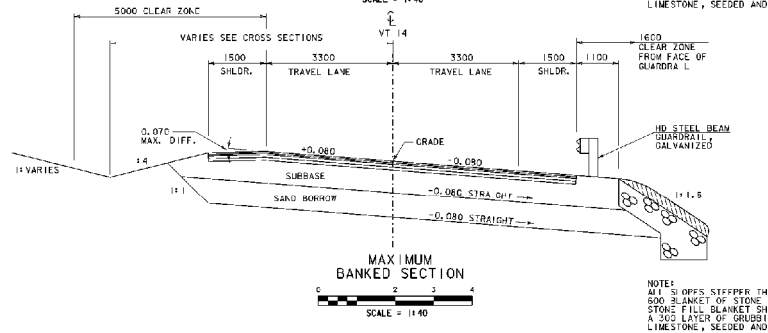
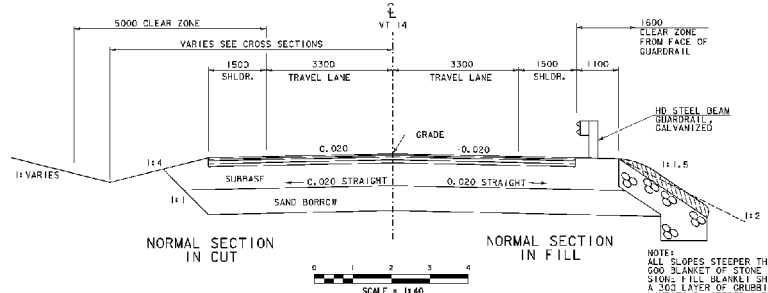


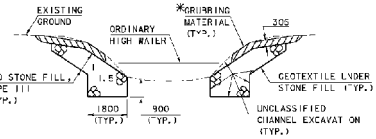
- 40 B1 BITUMINOUS CONCRETE PAVEMENT (TYPE 1)
 - 40 B1 BITUMINOUS CONCRETE PAVEMENT (TYPE 1)
 - 75 B1 BITUMINOUS CONCRETE PAVEMENT (TYPE 1)
 - 75 B1 BITUMINOUS CONCRETE PAVEMENT (TYPE 1)
 - 75 B1 BITUMINOUS CONCRETE PAVEMENT (TYPE 1)
 - 600 DENSE GRADED CRUSHED STONE
 - 750 SAND BORROW (AS NECESSARY TO MEET SURGRADE)
- SHOULDERS: 230 BITUMINOUS CONCRETE PAVEMENT
 40 TYPE 1 OVER 40 TYPE 1 OVER 75 TYPE 1
 OVER 75 TYPE 1

MATERIAL TOLERANCES	
PAVEMENT (TOTAL DEPTH)	±5 mm
SUBBASE	±30 mm
SAND	±30 mm

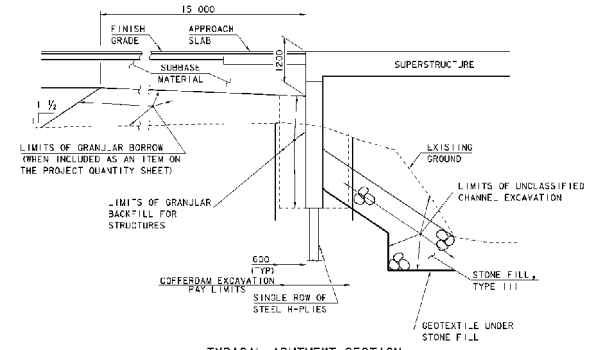
PG BINDER GRADE: SEE SECTION 406 OF THE GENERAL SPEC AL PROVISIONS



BRIDGE TYPICAL SECTION
 SCALE = 1:40



*GRUBBING MATERIAL SHALL NOT BE PLACED ON THE STONE FILL IN THE AREA UNDER THE BRIDGE. WHENEVER CHANNEL DEPTH INTERSECTS ROADWAY SUBBASE, GRUBBING MATERIAL SHALL BEGIN AT THE BOTTOM OF SUBBASE.



TYPICAL ABUTMENT SECTION
 NOT TO SCALE

COFFERDAM NOTES

1. COFFERDAM DIMENSIONS TO BE DETERMINED BY THE CONTRACTOR.
2. THE PAY LIMITS OF EITHER COFFERDAM EXCAVATION, EARTH OR COFFERDAM EXCAVATION, ROCK SHALL BE 600' OUTSIDE THE PERIMETER OF THE FOOTING AND FROM BOTTOM OF EXCAVATION UP TO THE EXISTING GROUND OR BOTTOM OF SUBBASE, WHICHEVER IS LOWER.
3. IF A COFFERDAM IS CONSTRUCTED WHICH IS LARGER THAN THE INDICATED COFFERDAM EXCAVATION PAY LIMITS, PAYMENT FOR ALL UNCLASSIFIED CHANNEL EXCAVATION, INCLUDING THAT PORTION WHICH IS INSIDE THE COFFERDAM BUT OUTSIDE THE COFFERDAM PAY LIMITS, WILL BE MADE AT THE CONTRACT UNIT PRICE FOR UNCLASSIFIED CHANNEL EXCAVATION. NO MEASUREMENT AND PAYMENT WILL BE MADE FOR COFFERDAM EXCAVATION AND GRANULAR BACKFILL FOR STRUCTURES OUTSIDE THE PAY LIMITS DEFINED IN NOTE 2.

TYPICAL SECTIONS

PROJECT NAME:	EAST MONTPELIER	PLLOT DATE:	8-JUL-2008
PROJECT NUMBER:	STP 037-2(9)	DRAWN BY:	M. HALL
FILE NAME:	787203.dwg	CHECKED BY:	J. LACROIX
PROJECT LEADER:	K. HIGGINS	SHEET	9 OF 67
DESIGNED BY:	J. LACROIX		