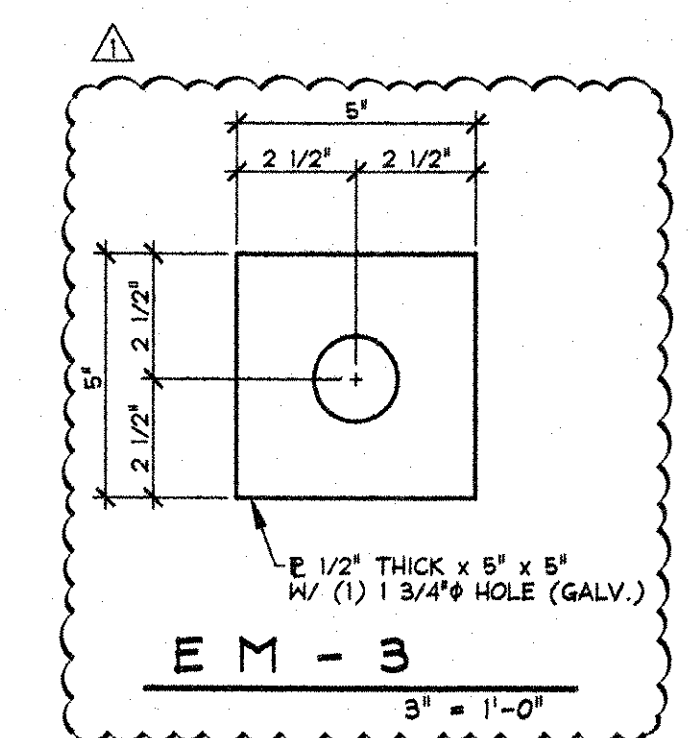
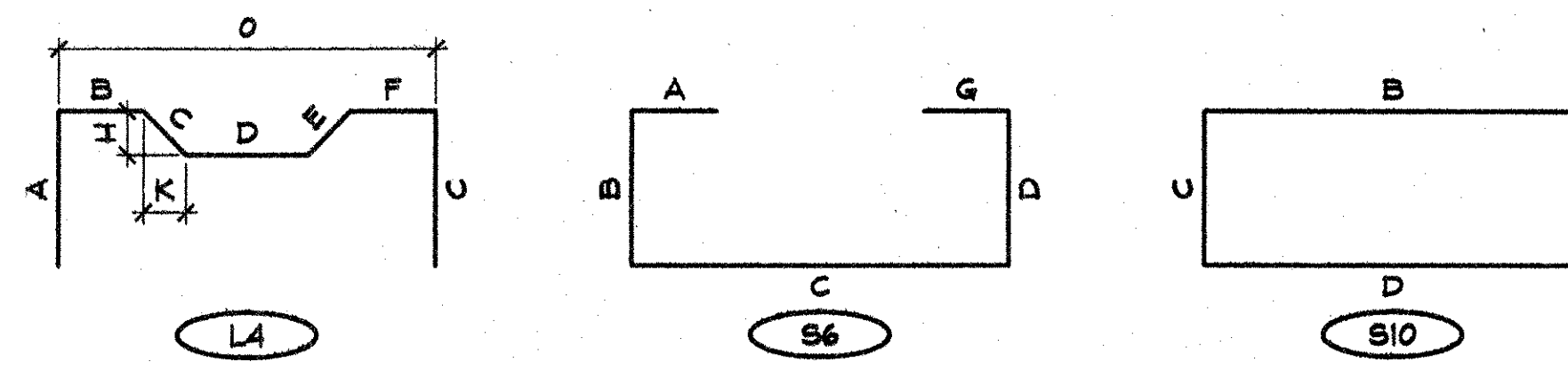
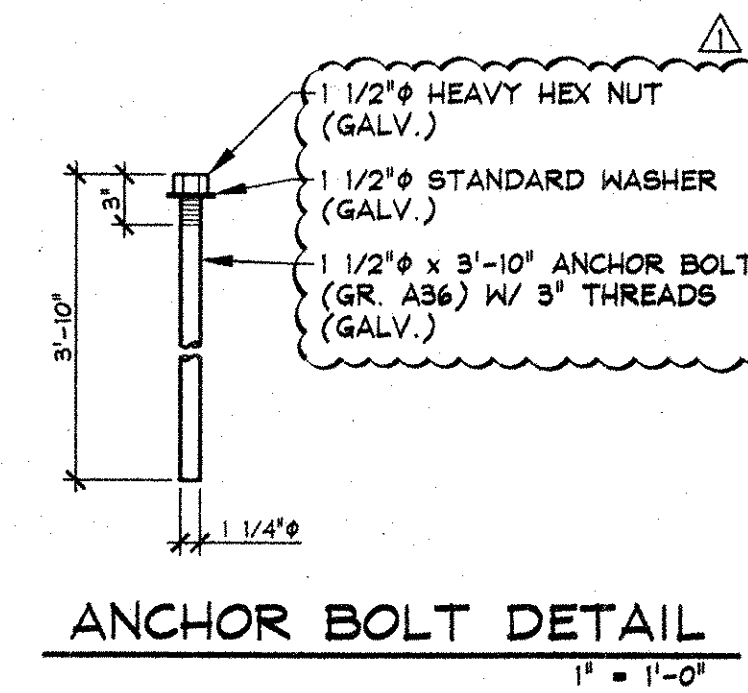
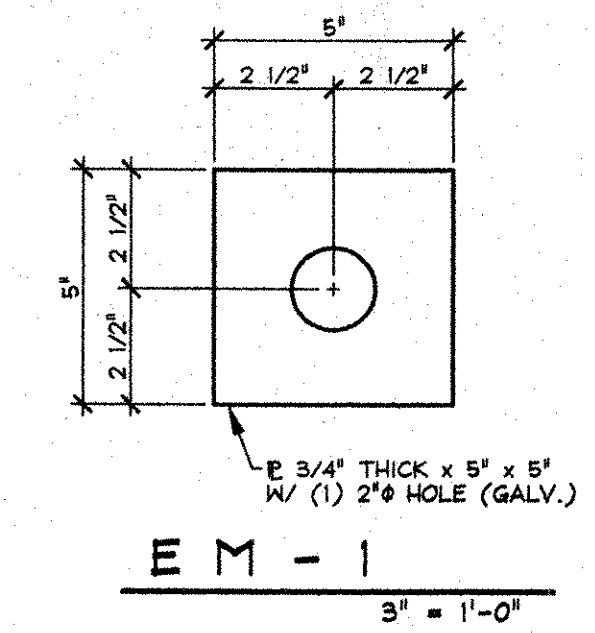


BENT BARS, TIES, & STIRRUPS

| ITEM | MARK | QTY. | SIZE | LENGTH | TYPE | A | B | C | D | E | F/R | G | H | J | K | O | GRADE | REMARKS | |
|------|------|------|------|------------|------|-------|-----------|------------|------------|----|-----|-------|----|---|----|------------|-------|--------------|--|
| 1 | 401E | 130 | #4 | 6'-4" | S6 | 6" | 1'-5 3/4" | 2'-8 1/2" | 1'-5 3/4" | | | 6" | | | | | 60 | EPOXY COATED | |
| 2 | 402E | 130 | #4 | 4'-5 3/4" | S10 | | 1'-0" | 2'-7 3/4" | 1'-0" | | | | | | | | 60 | EPOXY COATED | |
| 3 | 403E | 56 | #4 | 5'-3 3/4" | L4 | 1'-4" | 6" | 7" | 9 3/4" | 7" | 6" | 1'-4" | 5" | | 5" | 2'-7 3/4" | 60 | EPOXY COATED | |
| 4 | 404E | 240 | #4 | 4'-1 1/4" | S10 | | 1'-6" | 1'-3 1/4" | 1'-6" | | | | | | | | 60 | EPOXY COATED | |
| 5 | 405E | 24 | #4 | 2'-9 1/2" | STR. | | | | | | | | | | | | 60 | EPOXY COATED | |
| 6 | 406E | 390 | #4 | 7'-3 1/4" | S6 | 6" | 1'-5 3/4" | 3'-7 3/4" | 1'-5 3/4" | | | 6" | | | | | 60 | EPOXY COATED | |
| 7 | 407E | 390 | #4 | 5'-5 3/4" | S10 | | 1'-0" | 3'-7 3/4" | 1'-0" | | | | | | | | 60 | EPOXY COATED | |
| 8 | 408E | 168 | #4 | 6'-3 3/4" | L4 | 1'-4" | 6" | 7" | 1'-9 3/4" | 7" | 6" | 1'-4" | 5" | | 5" | 3'-7 3/4" | 60 | EPOXY COATED | |
| 9 | 409E | 72 | #4 | 3'-10 1/4" | STR. | | | | | | | | | | | | 60 | EPOXY COATED | |
| 10 | 410E | 24 | #4 | 6'-6 1/2" | L4 | 1'-4" | 6" | 7" | 2'-0 1/2" | 7" | 6" | 1'-4" | 5" | | 5" | 3'-10 1/2" | 60 | EPOXY COATED | |
| 11 | 411E | 12 | #4 | 6'-4 1/2" | L4 | 1'-4" | 6" | 7" | 1'-10 1/2" | 7" | 6" | 1'-4" | 5" | | 5" | 3'-8 1/2" | 60 | EPOXY COATED | |
| 12 | 412E | 24 | #4 | 7'-6" | S6 | 6" | 1'-5 3/4" | 3'-10 1/2" | 1'-5 3/4" | | | 6" | | | | | 60 | EPOXY COATED | |
| 13 | 413E | 24 | #4 | 5'-8 1/2" | S10 | | 1'-0" | 3'-10 1/2" | 1'-0" | | | | | | | | 60 | EPOXY COATED | |
| 14 | 414E | 12 | #4 | 7'-4 3/4" | S6 | 6" | 1'-5 3/4" | 3'-9 1/4" | 1'-5 3/4" | | | 6" | | | | | 60 | EPOXY COATED | |
| 15 | 415E | 12 | #4 | 5'-7 1/4" | S10 | | 1'-0" | 3'-9 1/4" | 1'-0" | | | | | | | | 60 | EPOXY COATED | |
| 16 | 416E | 12 | #4 | 7'-3 1/2" | S6 | 6" | 1'-5 3/4" | 3'-8" | 1'-5 3/4" | | | 6" | | | | | 60 | EPOXY COATED | |
| 17 | 417E | 12 | #4 | 5'-6" | S10 | | 1'-0" | 3'-8" | 1'-0" | | | | | | | | 60 | EPOXY COATED | |
| 18 | 418E | 8 | #4 | 5'-5 3/4" | L4 | 1'-4" | 6" | 7" | 11 3/4" | 7" | 6" | 1'-4" | 5" | | 5" | 2'-9 3/4" | 60 | EPOXY COATED | |
| 19 | 419E | 4 | #4 | 5'-4 1/2" | L4 | 1'-4" | 6" | 7" | 10 1/4" | 7" | 6" | 1'-4" | 5" | | 5" | 2'-8 1/4" | 60 | EPOXY COATED | |
| 20 | 420E | 8 | #4 | 6'-6 1/8" | S6 | 6" | 1'-5 3/4" | 2'-10 5/8" | 1'-5 3/4" | | | 6" | | | | | 60 | EPOXY COATED | |
| 21 | 421E | 8 | #4 | 4'-7 3/4" | S10 | | 1'-0" | 2'-9 3/4" | 1'-0" | | | | | | | | 60 | EPOXY COATED | |
| 22 | 422E | 4 | #4 | 6'-5 1/4" | S6 | 6" | 1'-5 3/4" | 2'-9 3/4" | 1'-5 3/4" | | | 6" | | | | | 60 | EPOXY COATED | |
| 23 | 423E | 4 | #4 | 4'-6 7/8" | S10 | | 1'-0" | 2'-8 7/8" | 1'-0" | | | | | | | | 60 | EPOXY COATED | |
| 24 | 424E | 4 | #4 | 6'-4 3/8" | S6 | 6" | 1'-5 3/4" | 2'-8 7/8" | 1'-5 3/4" | | | 6" | | | | | 60 | EPOXY COATED | |
| 25 | 425E | 4 | #4 | 4'-6 1/8" | S10 | | 1'-0" | 2'-8 1/8" | 1'-0" | | | | | | | | 60 | EPOXY COATED | |
| 26 | | | | | | | | | | | | | | | | | | | |
| 27 | | | | | | | | | | | | | | | | | | | |
| 28 | | | | | | | | | | | | | | | | | | | |
| 29 | | | | | | | | | | | | | | | | | | | |
| 30 | | | | | | | | | | | | | | | | | | | |

MISCELLANEOUS MATERIALS

| ITEM | MARK | QTY. | DESCRIPTION | REMARKS |
|------|-------|------|--|-------------------------------------|
| 1 | EM-1 | 6 | E 3/4" x 5" x 5" W/ (1) 2" HOLE (GALV.) | FOR ERECTION, SEE DETAIL THIS SHEET |
| 2 | | 6 | SINGLE USE STRESSING CHUCK | FOR ERECTION |
| 3 | | 3 | 1/2" POLYSTYRENE x 3'-8" | FOR ERECTION |
| 4 | | 16 | 1 1/2" x 3'-10" GALV. ANCHOR BOLT | FOR ERECTION, SEE DETAIL THIS SHEET |
| 5 | EM-3 | 16 | E 1/2" x 5" x 5" W/ (1) 3/4" HOLE (GALV.) | FOR ERECTION, SEE DETAIL THIS SHEET |
| 6 | | | | |
| 7 | | | | |
| 8 | | | | |
| 9 | MK-P3 | 30 | DAYTON C-24 TYPE 4-APR PRESS-STEEL PRECAST HALF HANGER | GALVANIZE |
| 10 | | 32 | {12" x 23'-11 1/2" VOID} | |
| 11 | | 12 | {10" x 23'-11 1/2" VOID} | |
| 12 | | 64 | 3/4" x 4 1/2" NON-FERROUS VOID DRAIN | |
| 13 | | 24 | 3/4" x 5 1/2" NON-FERROUS VOID DRAIN | |
| 14 | | 32 | DOUBLE 1/2" STRAND LIFTING LOOPS | |
| 15 | | 8 | W4X4 W4X4-W2.9XW2.9 [1'-5" x 2'-9 1/2"] | EPOXY COATED |
| 16 | | 24 | W4X4 W4X4-W2.9XW2.9 [1'-5" x 3'-10"] | EPOXY COATED |
| 17 | | | | |
| 18 | | | | |
| 19 | | | | |
| 20 | | | | |
| 21 | | | | |
| 22 | | | | |
| 23 | | | | |
| 24 | | | | |
| 25 | | | | |
| 26 | | | | |
| 27 | | | | |
| 28 | | | | |
| 29 | | | | |
| 30 | | | | |



6-11-07 REVISED AS NOTED

APPROVAL STAMP:
 RECEIVED
 CK'D BY: TRL OK'D BY: [Signature]
 JUN 11 2007
 RESUBMIT APPROVED: [Signature]
 BY: [Signature] DATE: 6/14/07

J.P. CARRARA & SONS INC.
 Precast & Prestress Manufacturer
 2444 CASE ST., WOODBURY, VERMONT 05753 Phone: (802)388-6361 Fax: (802)388-9010

FRANK WHITCOMB CONSTRUCTION
 CONTRACTOR
 WALPOLE, NEW HAMPSHIRE

STATE OF VERMONT A.O.T.
 COUNTY OF RUTLAND

TOWN OF CASTLETON
 VERMONT ROUTE 4A
 BRIDGE NO.: 8 PROJECT NO.: RS 0142(10)

MATERIALS LIST

DATE: MAY 15, 2007
 SCALE: NOTED
 CHKD: - DFTM: B.L.
 JOB NO: 23256-07
 DWG. NO: M1