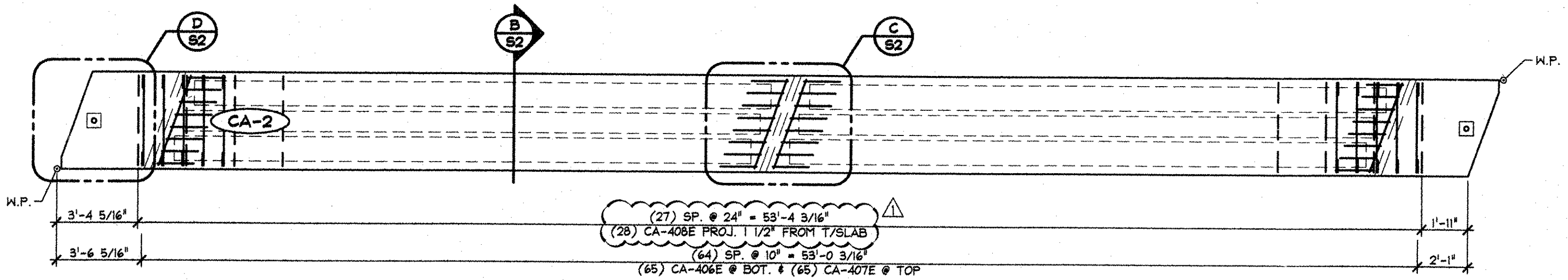


1 DIMENSIONAL PLAN VIEW IN FORM
S2 1/4" = 1'-0"



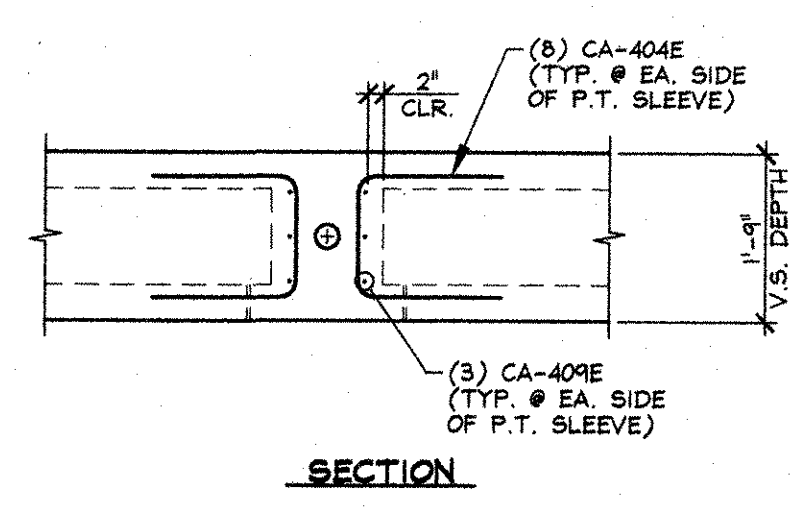
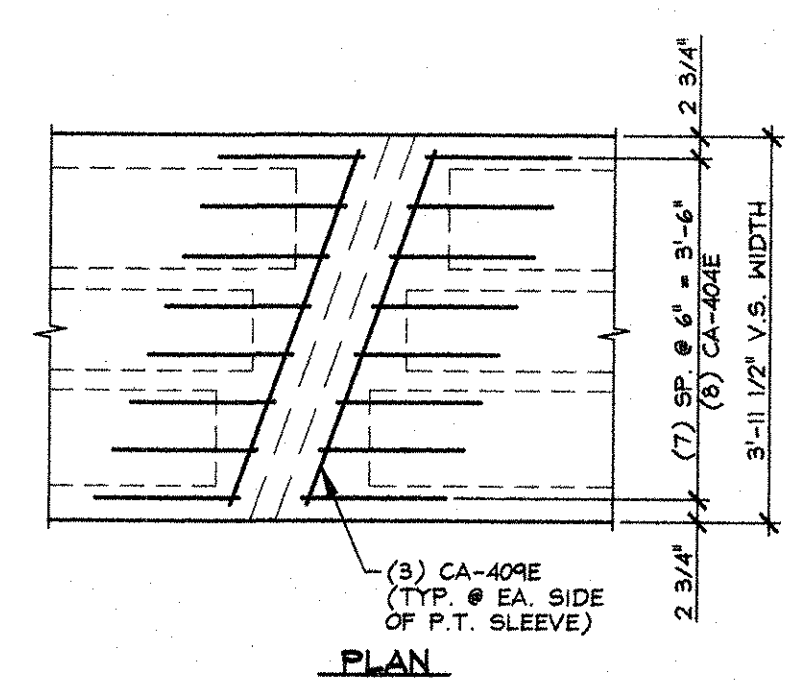
2 REINFORCING PLAN VIEW IN FORM
S2 1/4" = 1'-0"

SHOP NOTE:
ADJUST REINFORCING SPACING
AS REQUIRED TO CLEAR P.T.
SLEEVES, INSERTS, ETC.

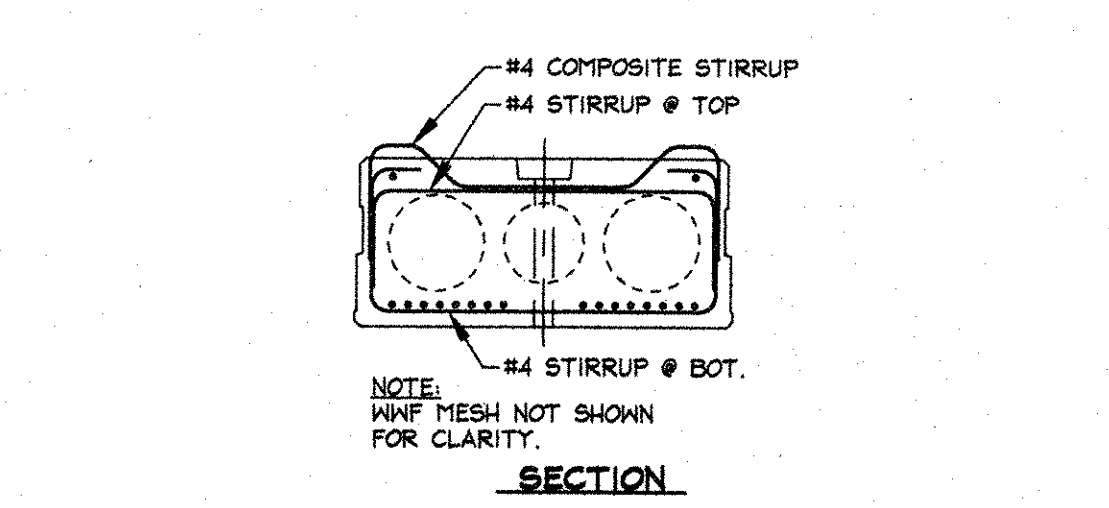
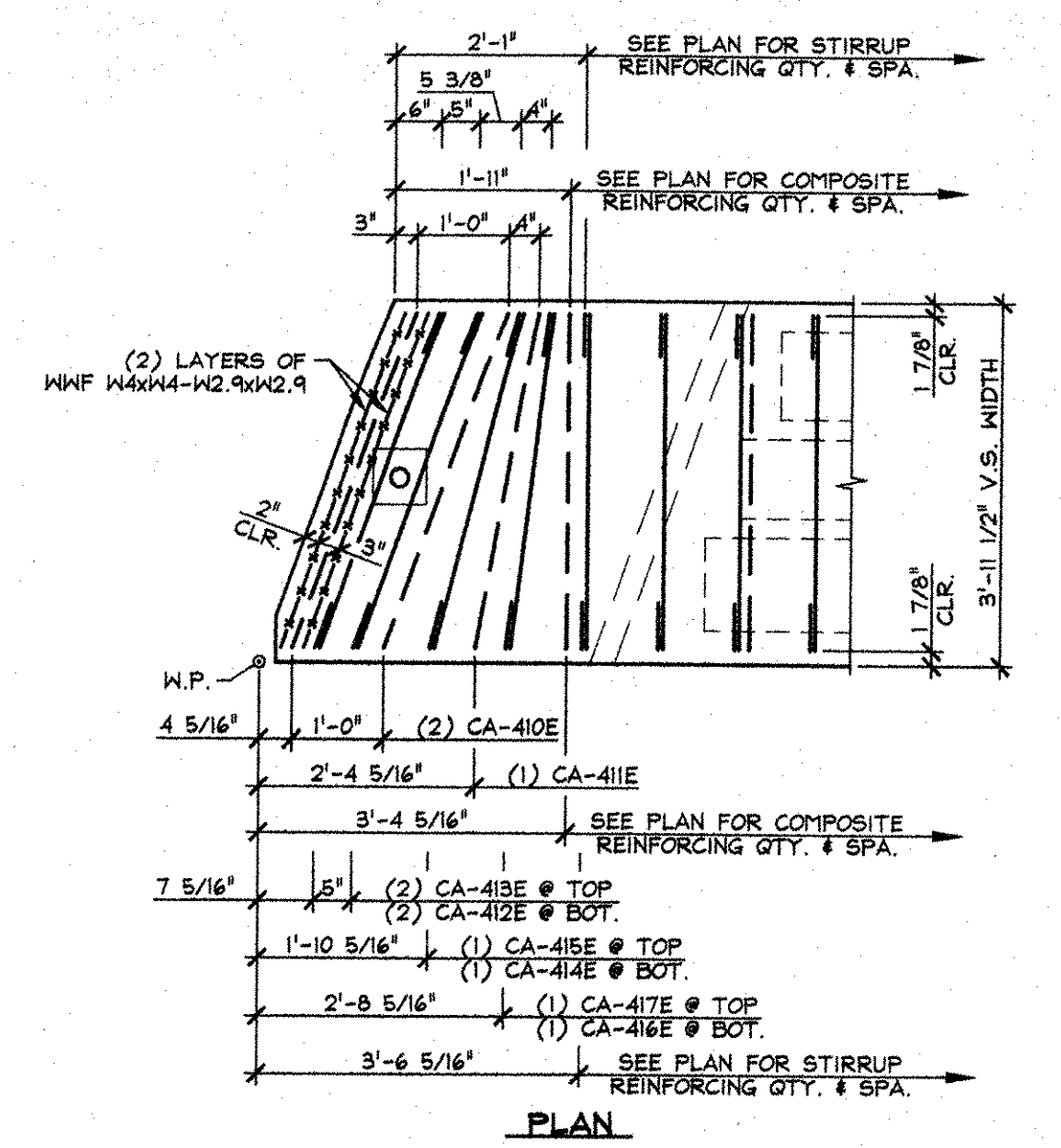
1 **2**

3 3 7 9 11 15 17 18 16 14 12 10 8 6 4

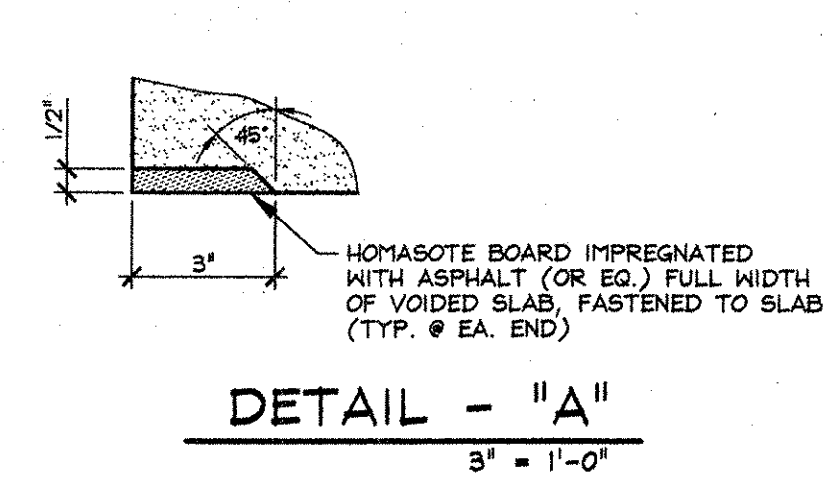
DETENSING SCHEDULE
N.T.S.



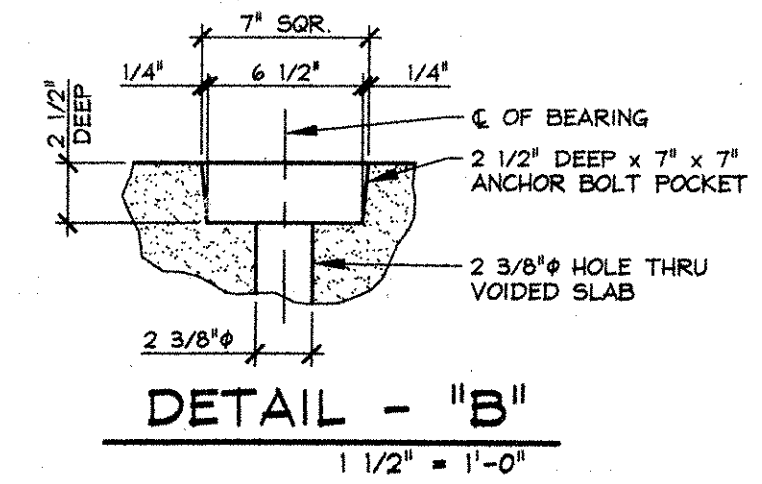
C TENDON REINF. DETAIL
S2 1/2" = 1'-0"



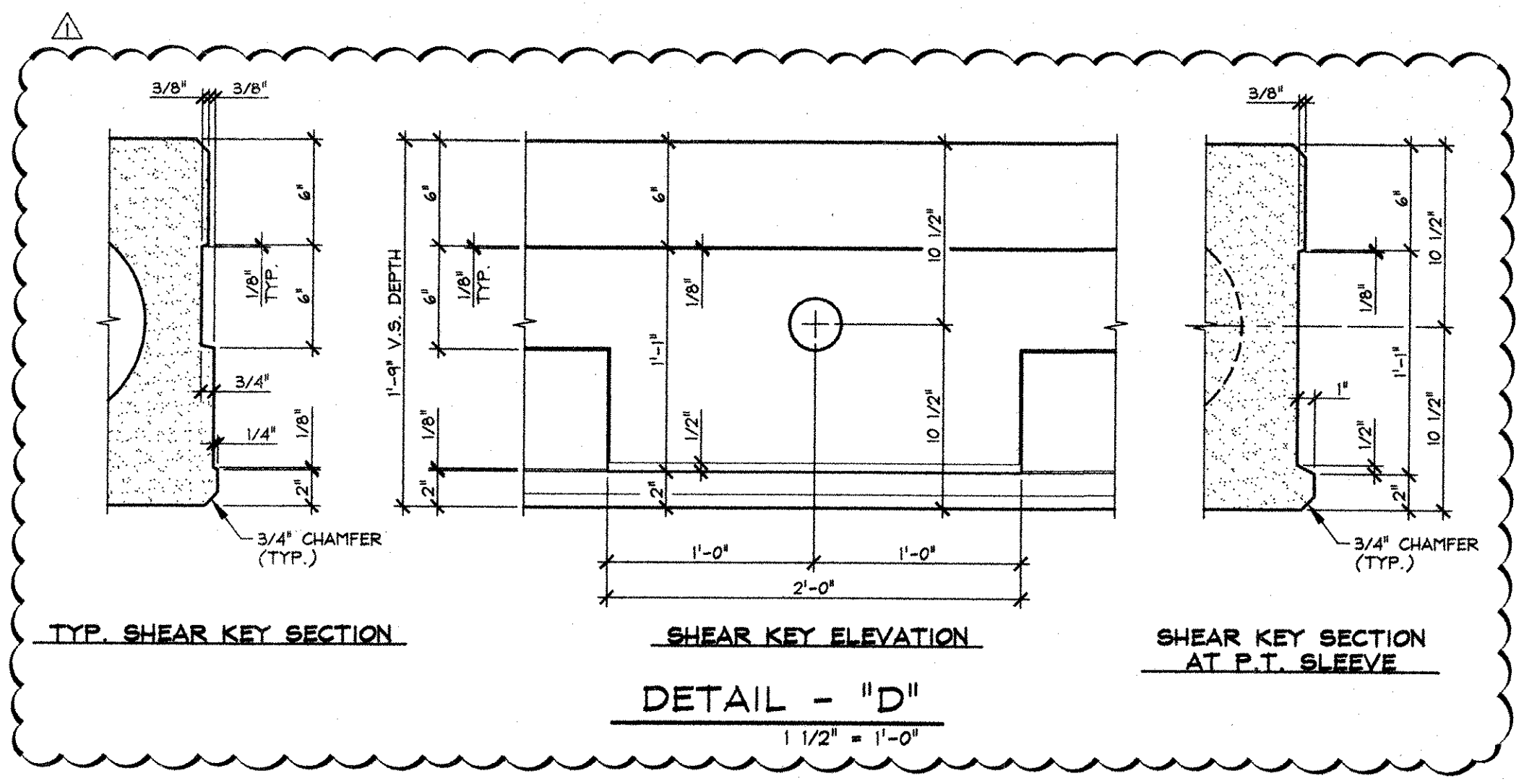
D END BLOCK REINF. DETAIL
S2 1/2" = 1'-0"



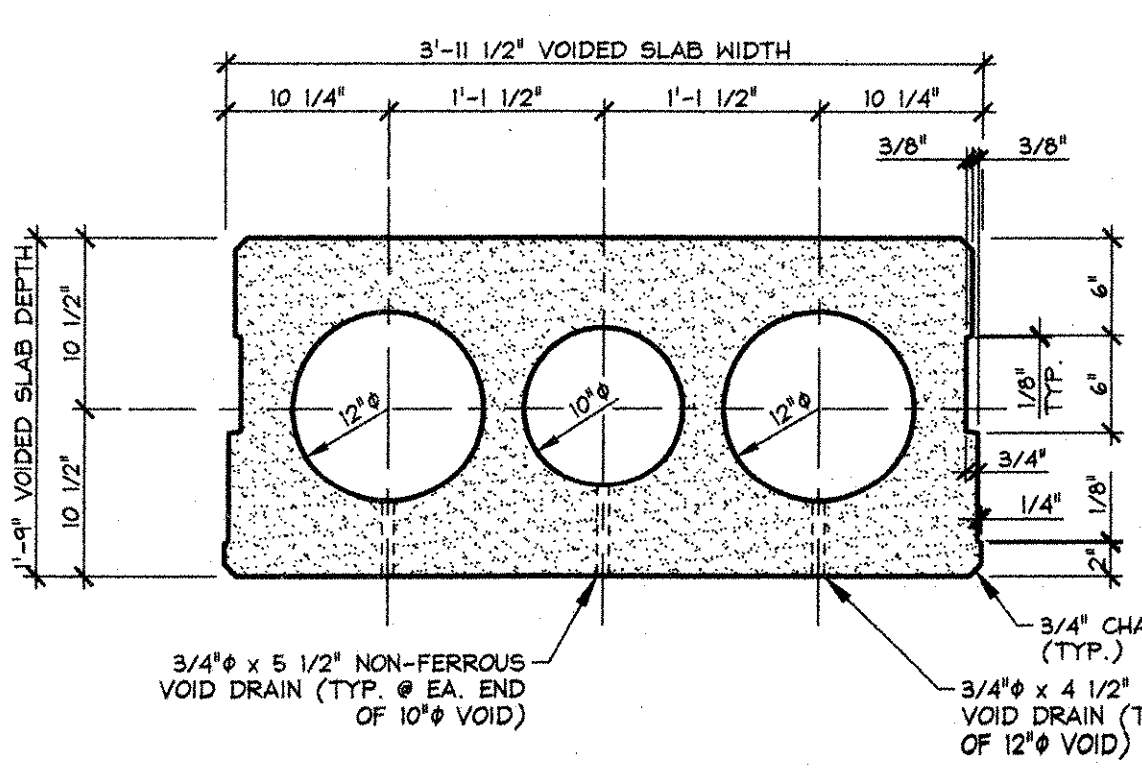
DETAIL - "A"
3" = 1'-0"



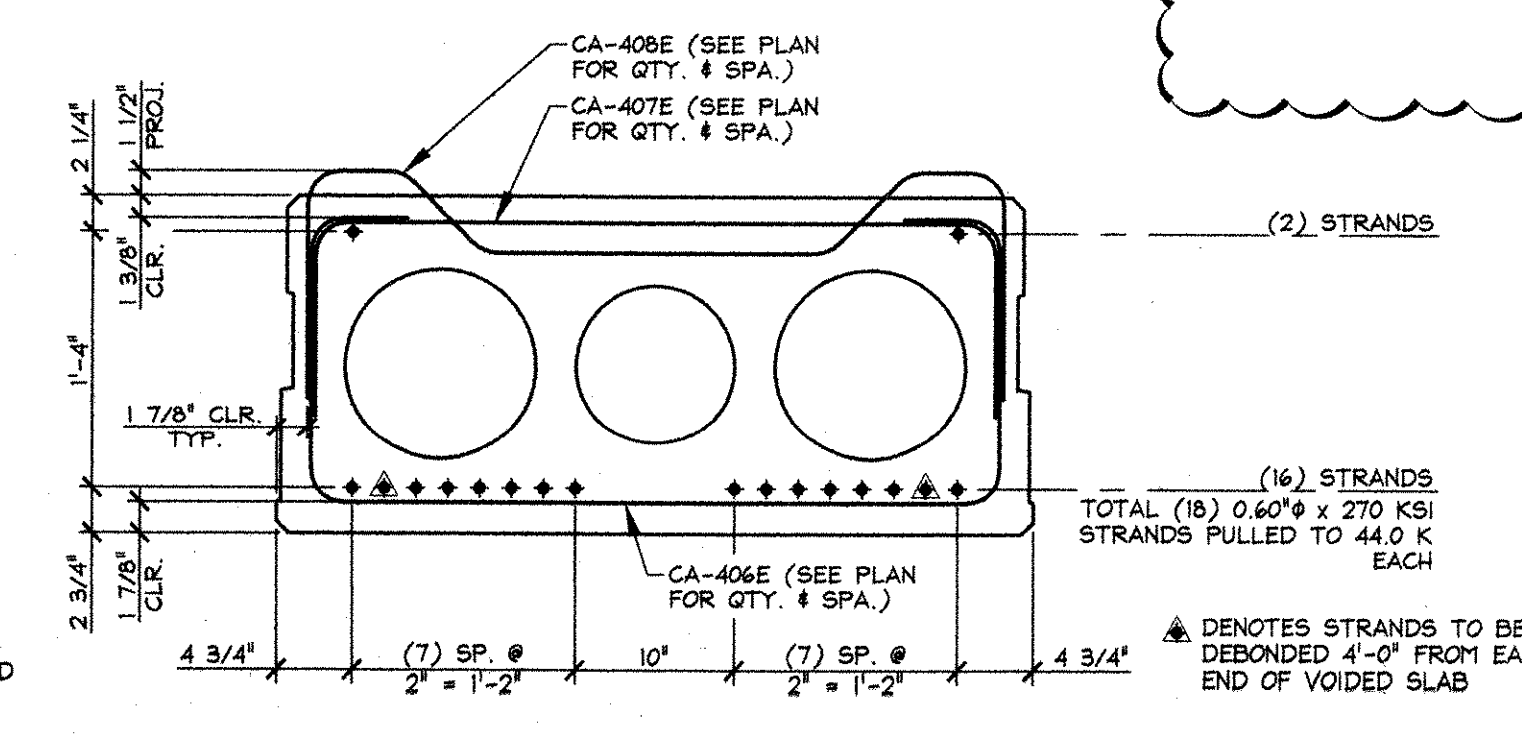
DETAIL - "B"
1 1/2" = 1'-0"



DETAIL - "D"
1 1/2" = 1'-0"



A DIMENSIONAL SECTION
S2 1" = 1'-0"



B REINFORCING SECTION
S2 1" = 1'-0"

MATERIAL LIST / VOIDED SLAB				
ITEM	MARK	DESCRIPTION	QTY.	
1	404E	#4 BENT BAR (EPOXY COATED)	32	
2	406E	#4 BENT BAR (EPOXY COATED)	65	
3	407E	#4 BENT BAR (EPOXY COATED)	65	
4	408E	#4 BENT BAR (EPOXY COATED)	2	
5	409E	#4 x 3'-10 1/4" (EPOXY COATED)	12	
6	410E	#4 BENT BAR (EPOXY COATED)	4	
7	411E	#4 BENT BAR (EPOXY COATED)	2	
8	412E	#4 BENT BAR (EPOXY COATED)	4	
9	413E	#4 BENT BAR (EPOXY COATED)	4	
10	414E	#4 BENT BAR (EPOXY COATED)	2	
11	415E	#4 BENT BAR (EPOXY COATED)	2	
12	416E	#4 BENT BAR (EPOXY COATED)	2	
13	417E	#4 BENT BAR (EPOXY COATED)	2	
14		WKF W4xM4-W2.9xW2.9 [1'-5" x 3'-10"] (E.C.)	4	
15		12" x 23'-11 1/2" VOID	4	
16		10" x 23'-11 1/2" VOID	2	
17		3/4" x 4 1/2" NON-FERROUS VOID DRAINS	8	
18		3/4" x 5 1/2" NON-FERROUS VOID DRAINS	4	
19		DOUBLE 1/2" STRANDS LIFTING LOOPS	4	
20				

6-11-07 REVISED AS NOTED

APPROVAL STAMP:

RECEIVED
 JUN 11 2007
 JUN 11 2007
 DATE 6/14/07

J.P. CARRARA & SONS INC.
Precast & Prestress Manufacturer
2464 CASE STR., MIDDLEBURY, VERMONT 05753 Phone: (802)388-0361 Fax: (802)388-9010

FRANK WHITCOMB CONSTRUCTION
CONTRACTOR
WALPOLE, NEW HAMPSHIRE

STATE OF VERMONT A.O.T.
COUNTY OF RUTLAND

TOWN OF CASTLETON
VERMONT ROUTE 4A
BRIDGE NO.: 5 PROJECT NO.: RS 0142(10)

P/S VOIDED SLAB DETAILS

DATE: MAY 15, 2007
 SCALE: NOTED
 CHKD: - DFTM: B.L.
 JOB NO: 23256-07
 DWG. NO: S2