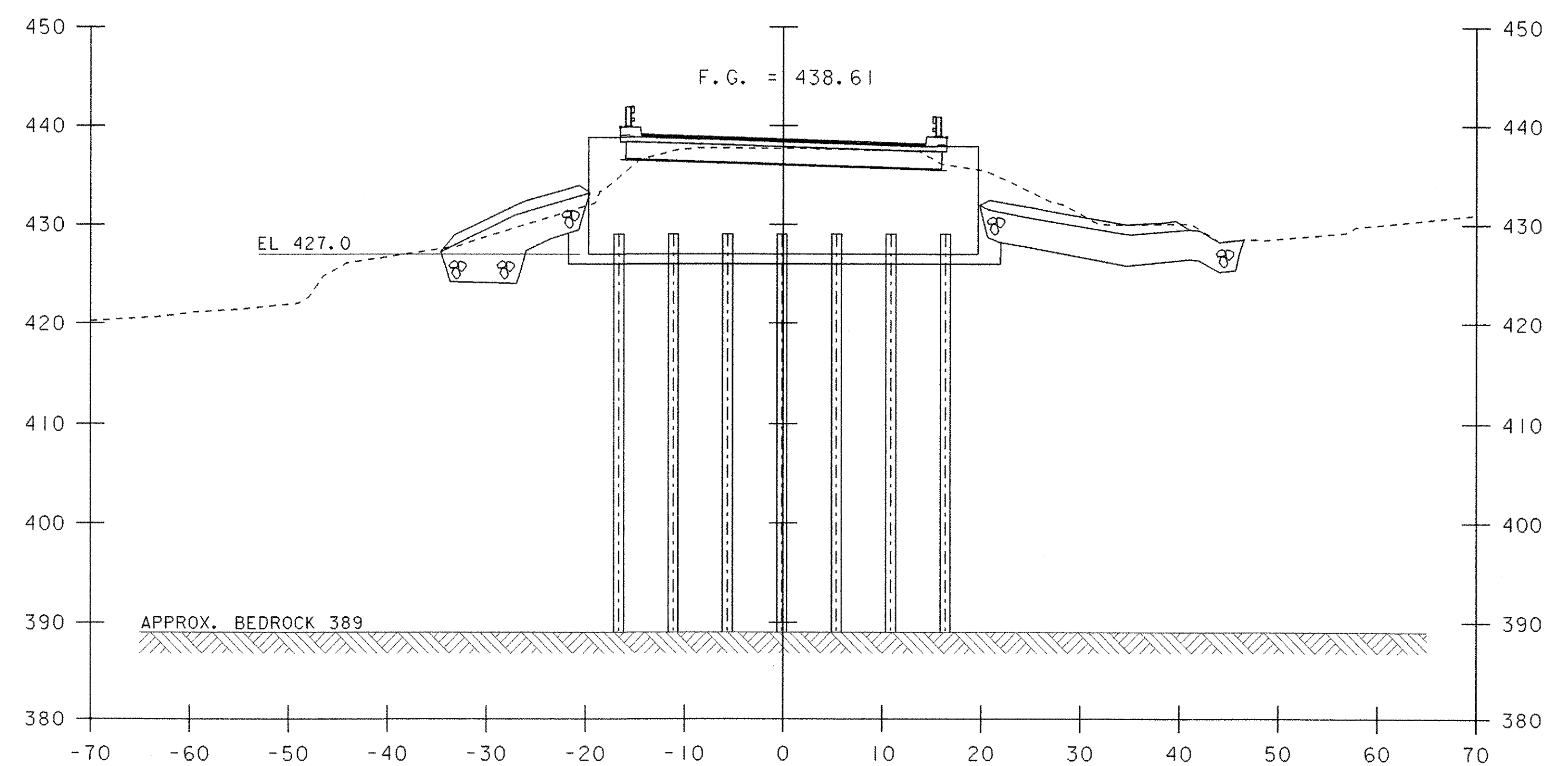


400+89

CL ABUTMENT 1
SKEW 20° RT

SCALE 1" = 10'-0"
10 0 10



401+46

CL ABUTMENT 2
SKEW 20° RT

MAINLINE SECTIONS ABUTMENTS

PROJECT NAME: CASTLETON	PLOT DATE: 09-FEB-2007
PROJECT NUMBER: RS 0142(10)	DRAWN BY: T. LACKEY
FILE NAME: sf193m1.i	CHECKED BY: W. LAMMER
PROJECT LEADER: R. WHITCOMB	SHEET 62 OF 68
DESIGNED BY: T. LACKEY	
78f193/structures/sf193xsl.dgn	