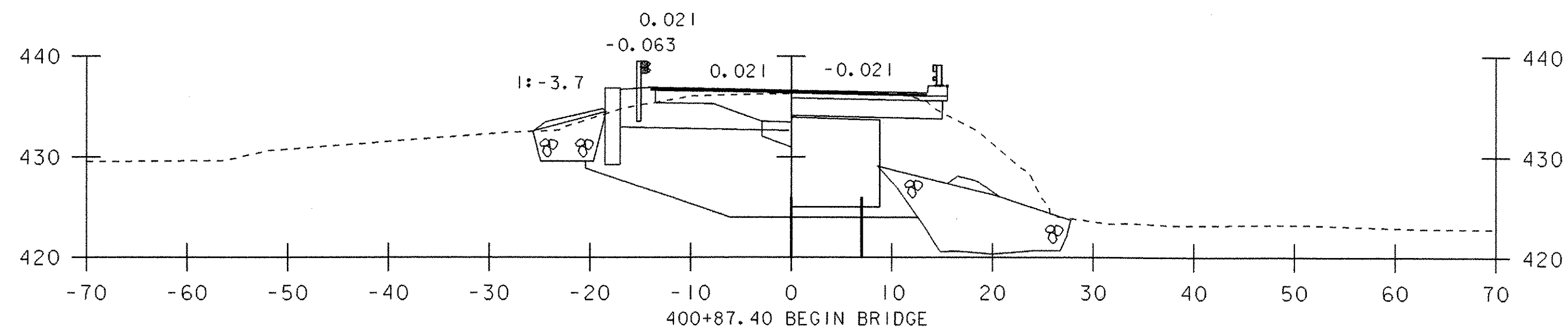


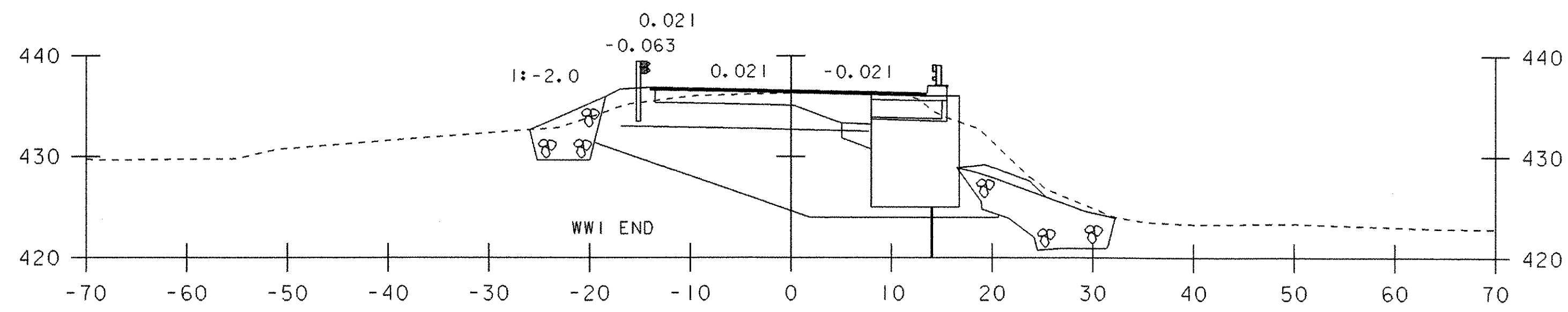
400+88

F.G. = 436.65



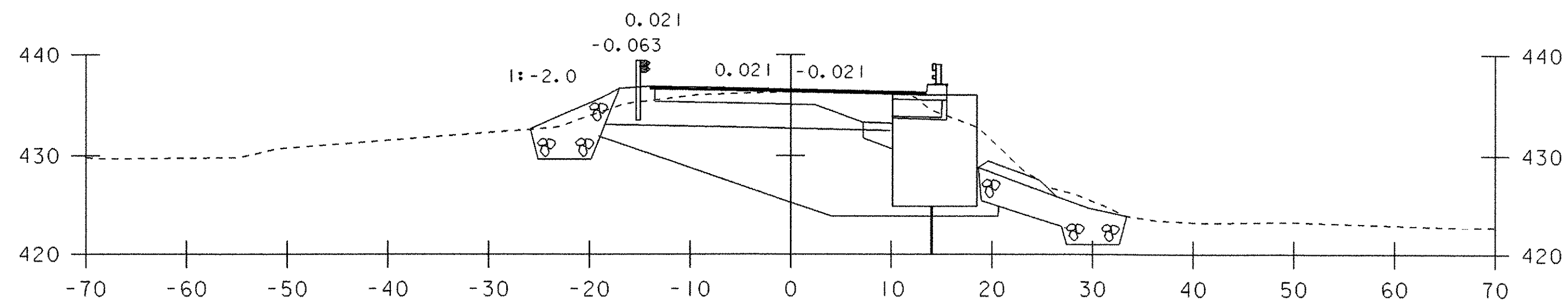
400+87

F.G. = 436.57



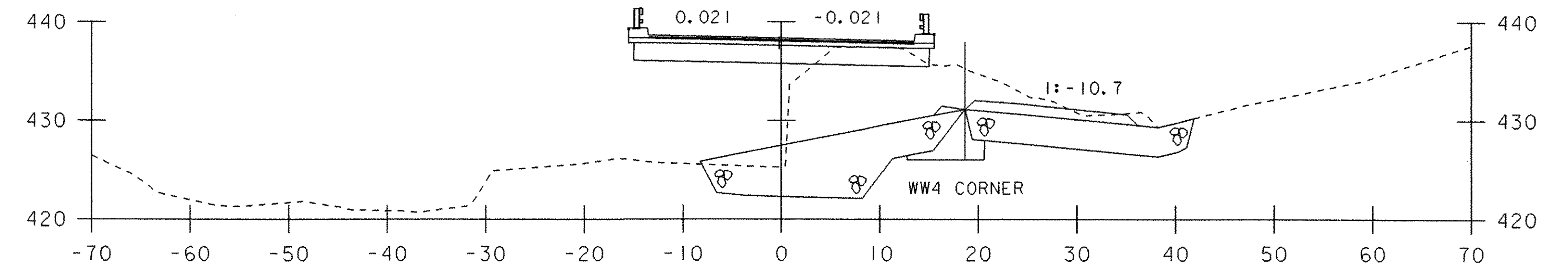
400+84

F.G. = 436.55



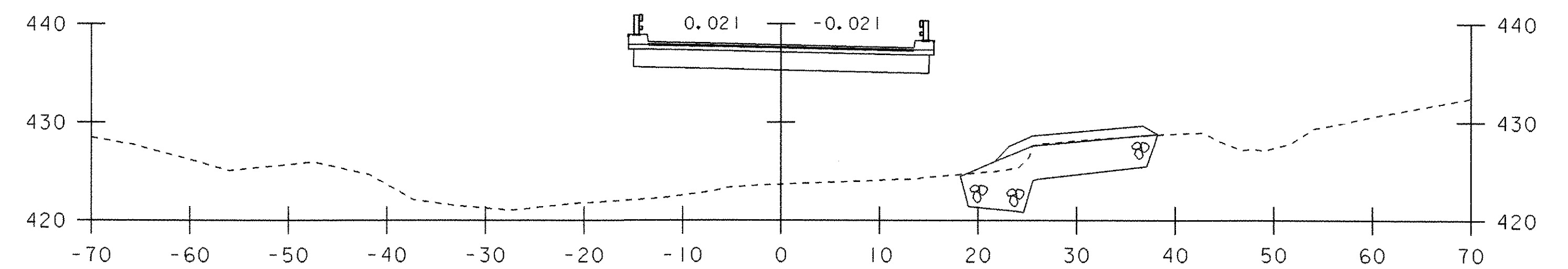
400+83

F.G. = 438.29



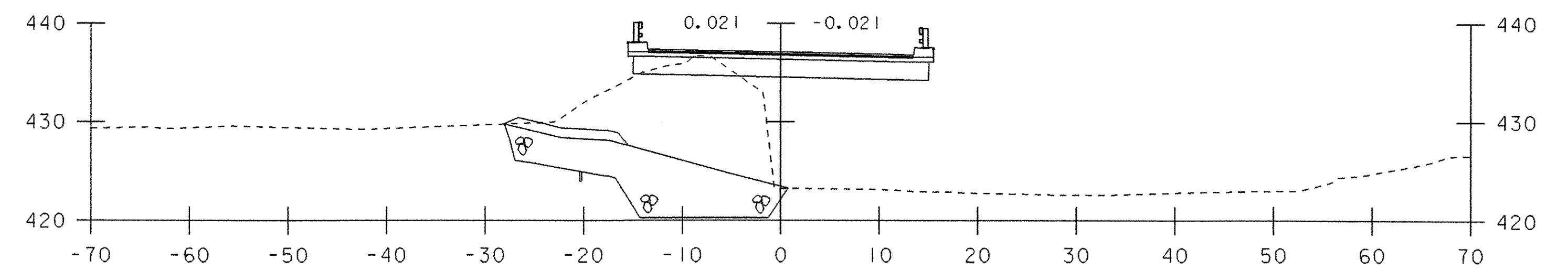
401+38

F.G. = 437.83



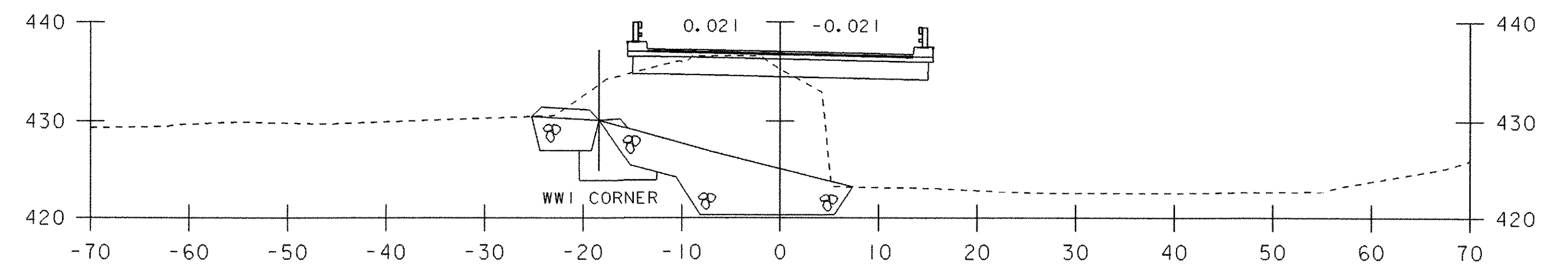
401+25

F.G. = 437.01



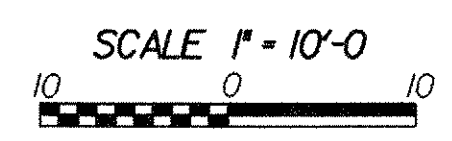
401+00

F.G. = 436.93



400+97

MAINLINE SECTIONS 3



PROJECT NAME: CASTLETON	PLOT DATE: 09-FEB-2007
PROJECT NUMBER: RS 0142(10)	DRAWN BY: T. LACKEY
FILE NAME: sf193m03.1	CHECKED BY: W. LAMMER
PROJECT LEADER: R. WHITCOMB	SHEET 57 OF 68
DESIGNED BY: T. LACKEY	
78f193/structures/sf193xsl.dgn	