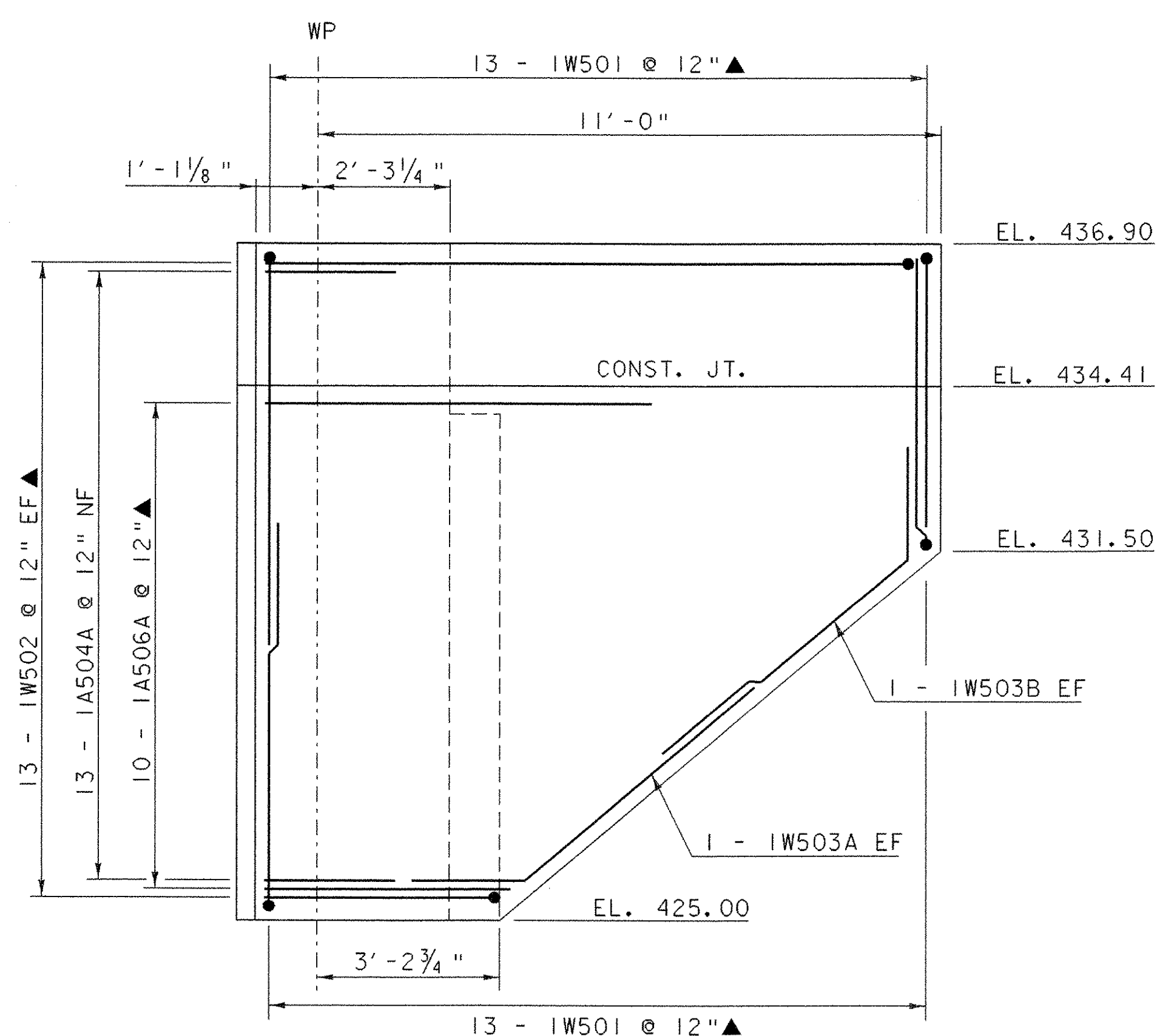
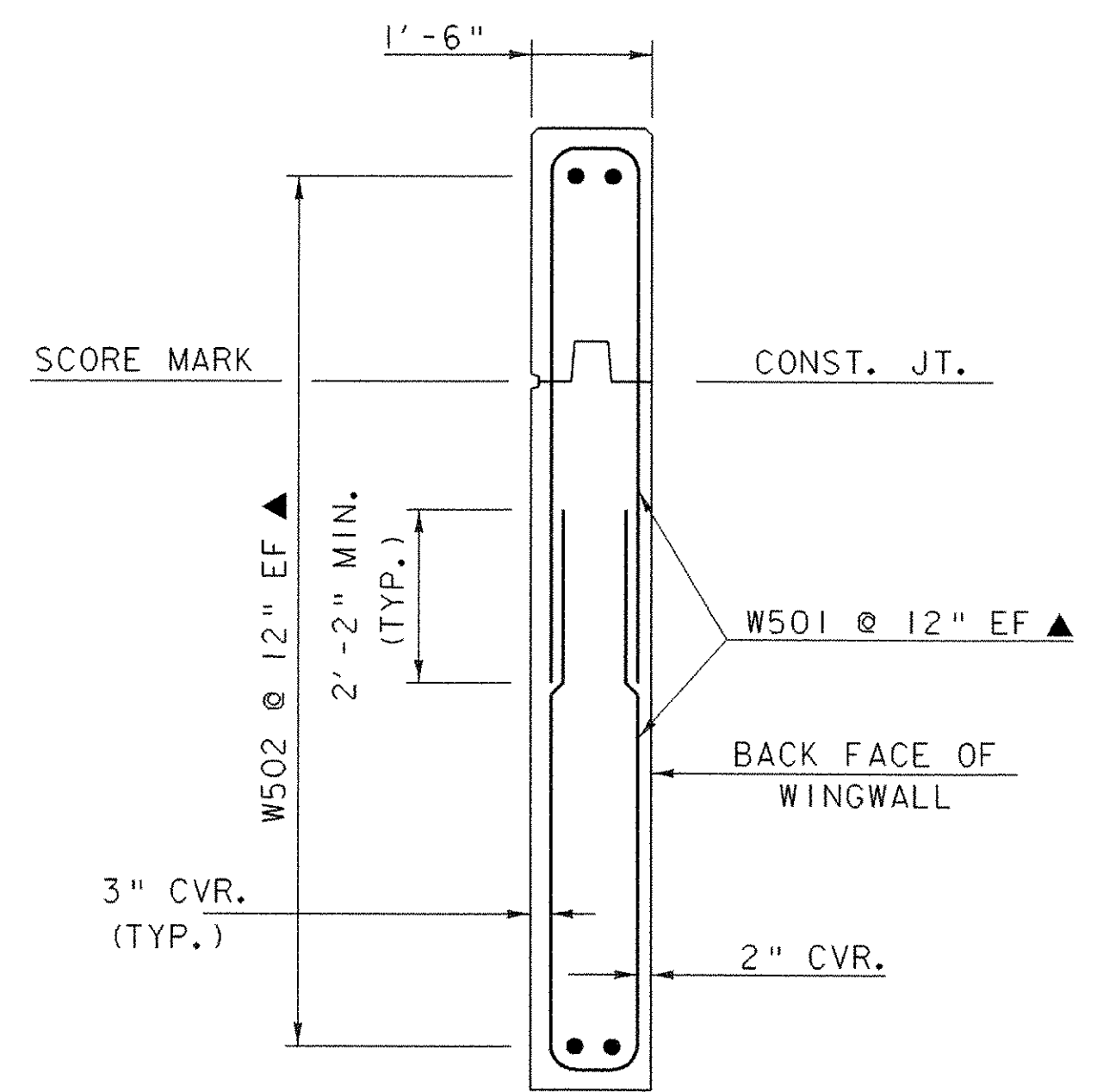


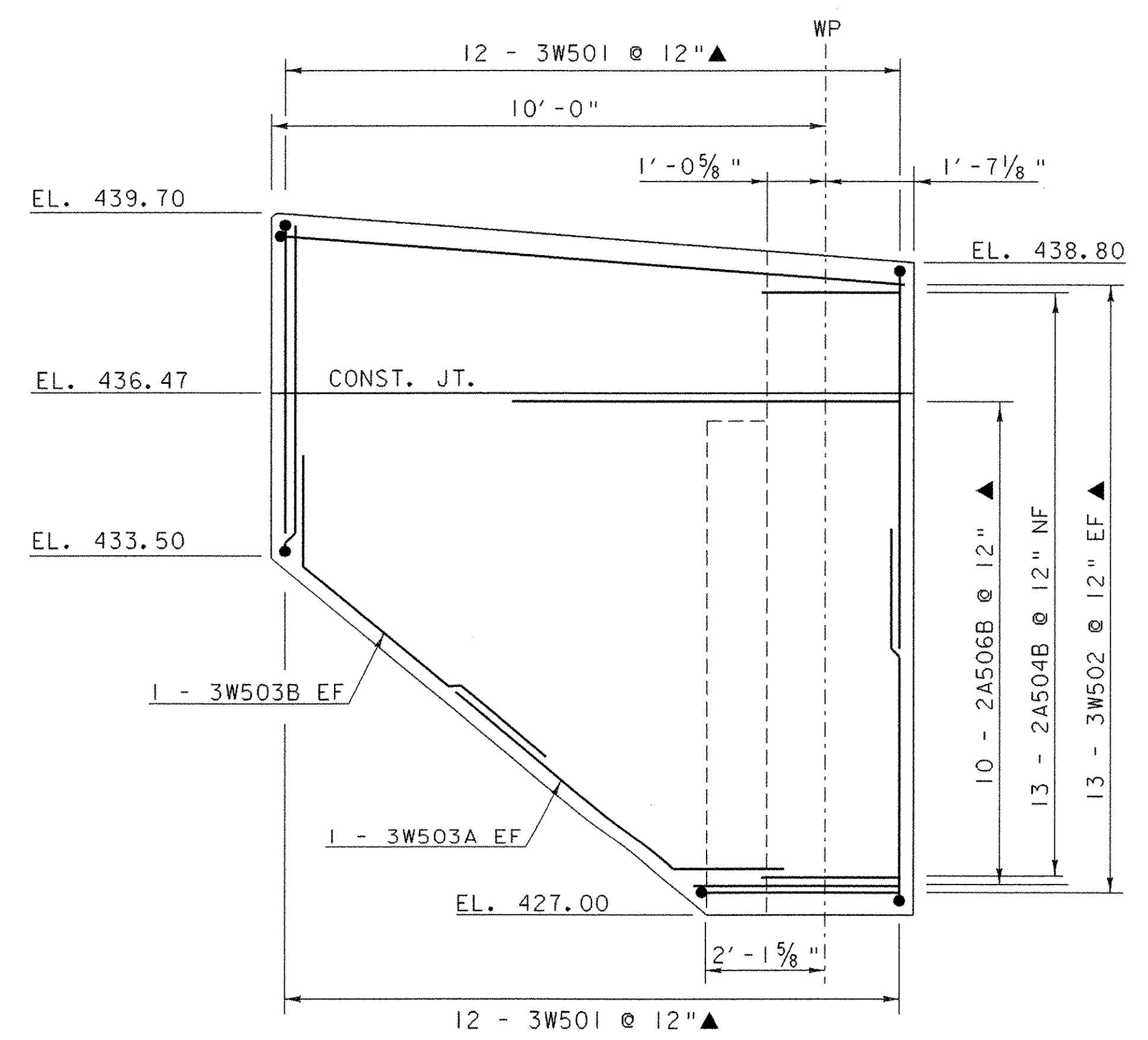
WINGWALL NO. 2 ELEVATION



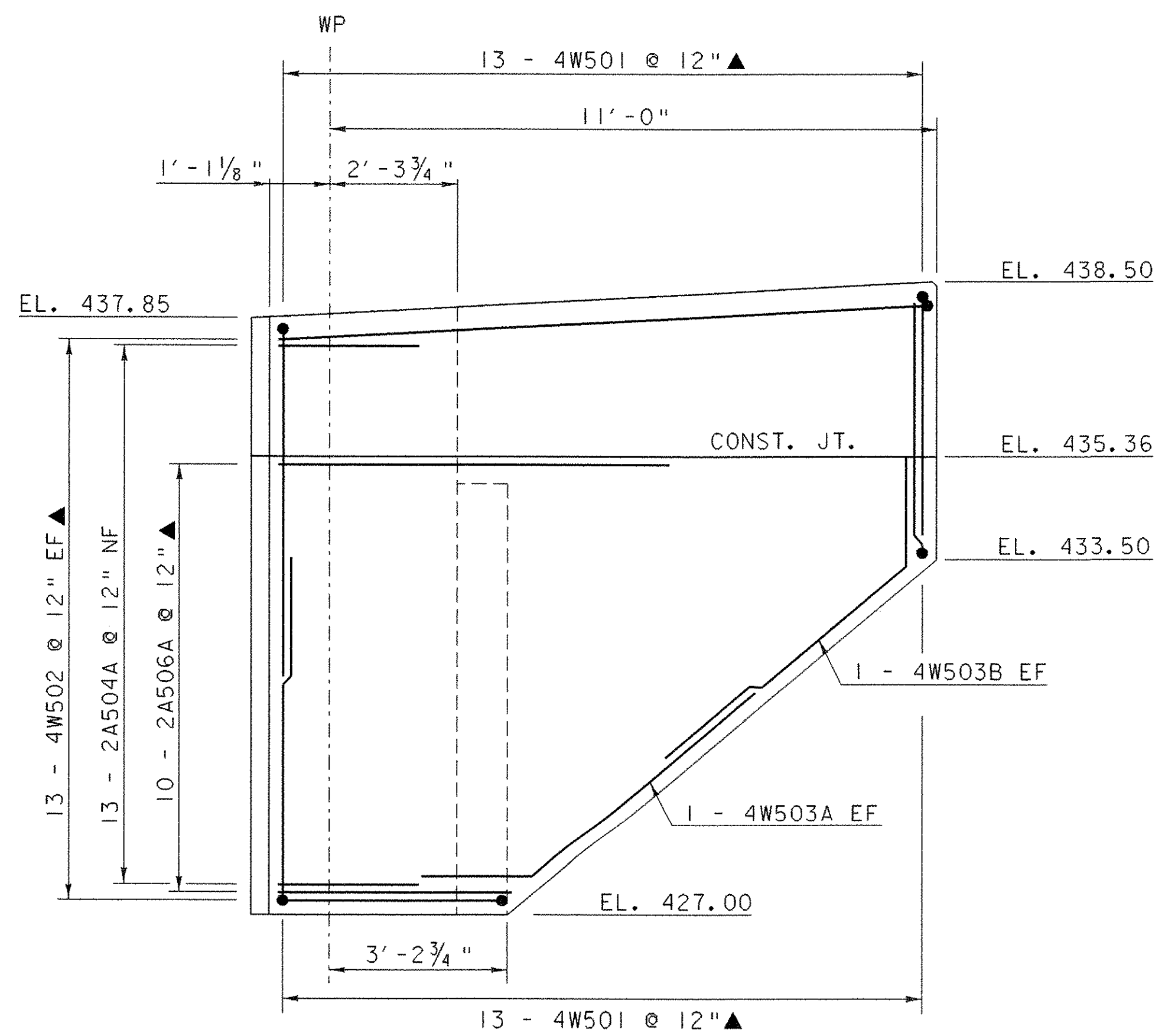
WINGWALL NO. 1 ELEVATION



WINGWALL TYPICAL



WINGWALL NO. 3 ELEVATION



WINGWALL NO. 4 ELEVATION

NOTE:
 NF - NEAR FACE
 FF - FAR FACE
 EF - EACH FACE
 ▲ - CUT TO FIT IN FIELD
 3" CVR. UNLESS OTHERWISE SPECIFIED ON THE PLANS.

SUBSTRUCTURE DETAILS
 WINGWALLS

PROJECT NAME: CASTLETON	PLOT DATE: 09-FEB-2007
PROJECT NUMBER: RS 0142(10)	DRAWN BY: STR 3
FILE NAME: 78f193/sf193sub.dgn	CHECKED BY: C. CARLSON
PROJECT LEADER: R. WHITCOMB	SHEET 50 OF 68
DESIGNED BY: J. PERRIGO	
78f193/str/sf193ww.i	

