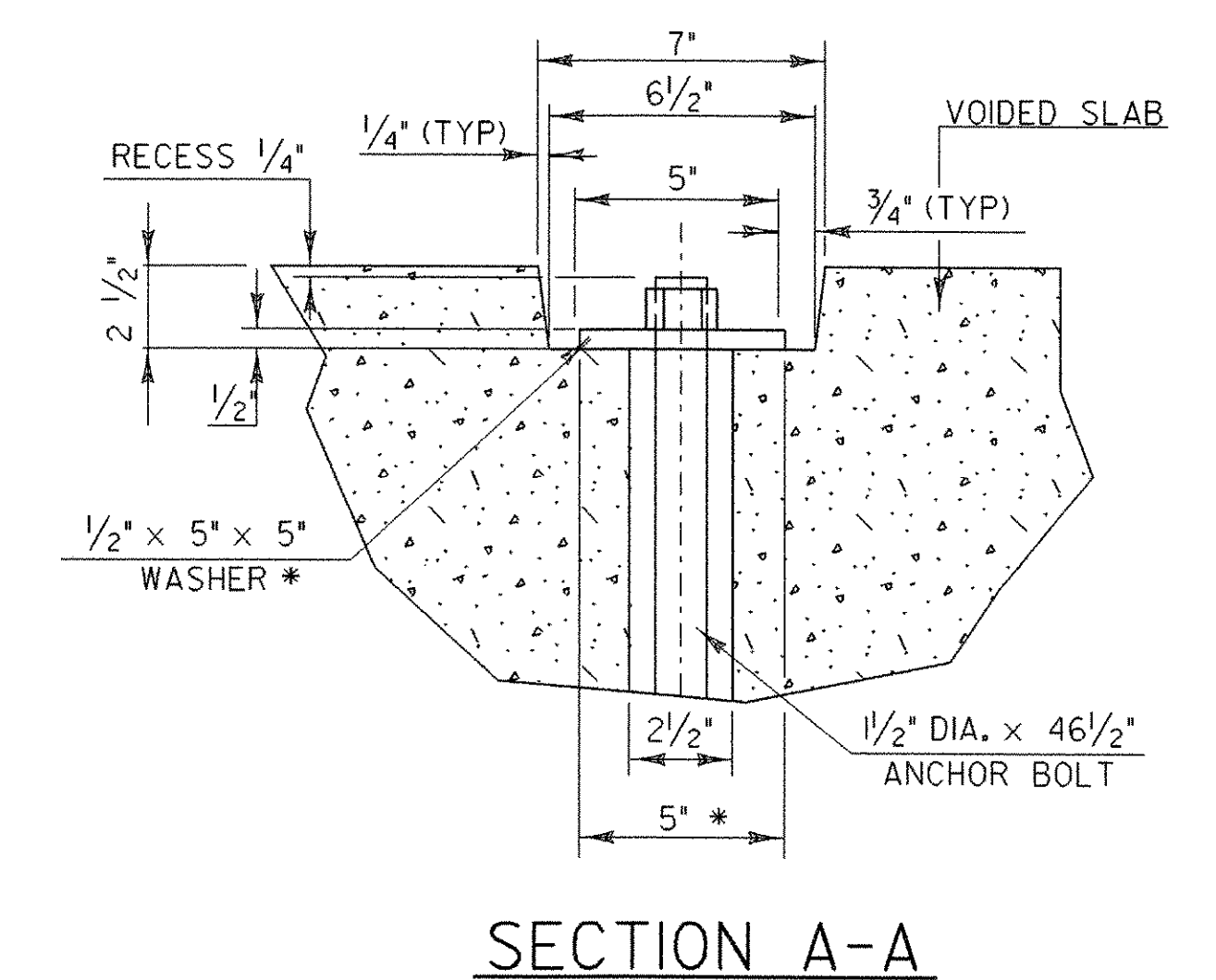
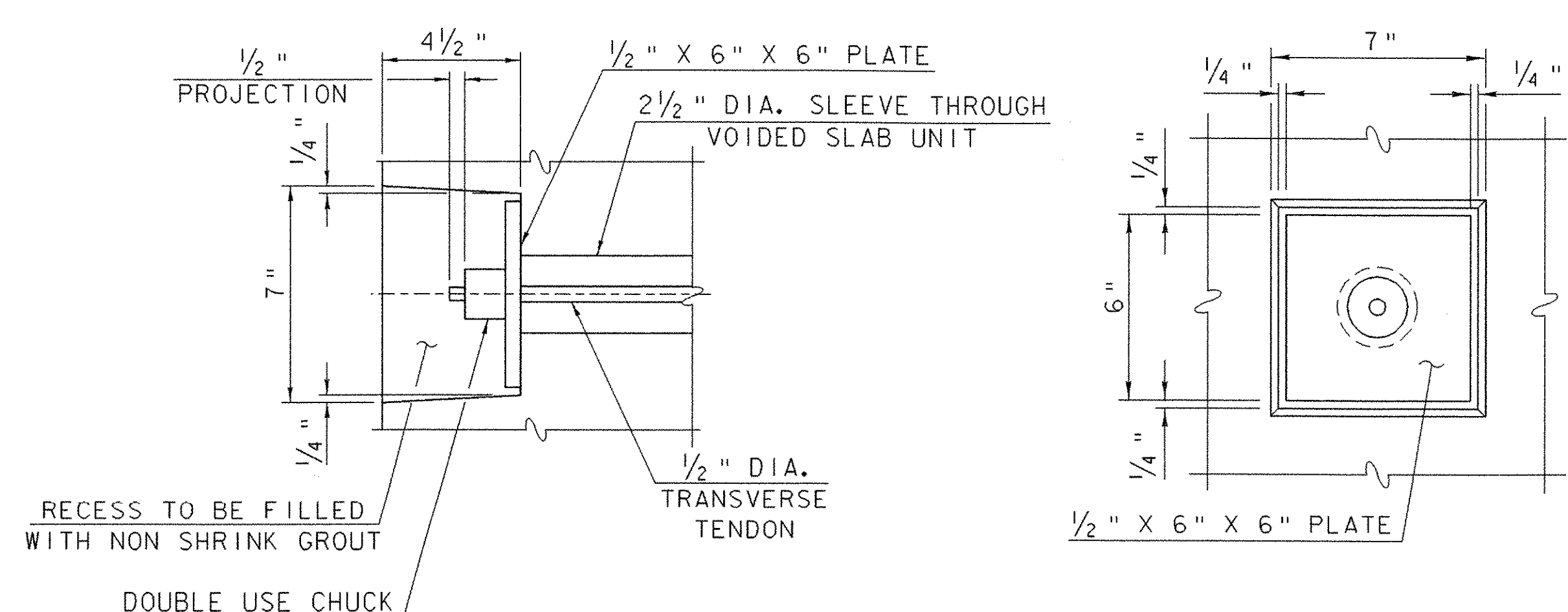


NOTE:
 SEE VAOT SPECIFICATION 714.08 FOR ANCHOR BOLTS & NUTS

* 1/2" x 5" x 5" WASHER WITH 1/2" DIA. HOLE (GALVANIZED)



- NOTES
1. TRANSVERSE TENDONS SHALL BE COVERED BY SEAMLESS POLYPROPYLENE SHEATH (WITH CORROSION INHIBITOR GREASE BETWEEN SHEATH AND TENDON) FOR THE LENGTH OF TENDON, EXCEPT AT ANCHORAGE LOCATIONS. TENDONS SHALL BE TENSIONED TO 30000#.
 2. THE 1/2" PLATE SHALL CONFORM TO AASHTO M270 GRADE 50. THE PLATE AND CHUCK SHALL BE GALVANIZED ACCORDING TO AASHTO M111.



SUPERSTRUCTURE DETAILS
 DECK OVERLAY

PROJECT NAME: CASTLETON	PLOT DATE: 16-FEB-2007
PROJECT NUMBER: RS 0142(10)	DRAWN BY: L. BULLOCK
FILE NAME: PW/78f193/sf193sup.dgn	CHECKED BY: C. CARLSON
PROJECT LEADER: R. WHITCOMB	SHEET 45 OF 68
DESIGNED BY: M. HALE	
78f193/str/sf193dck.i	