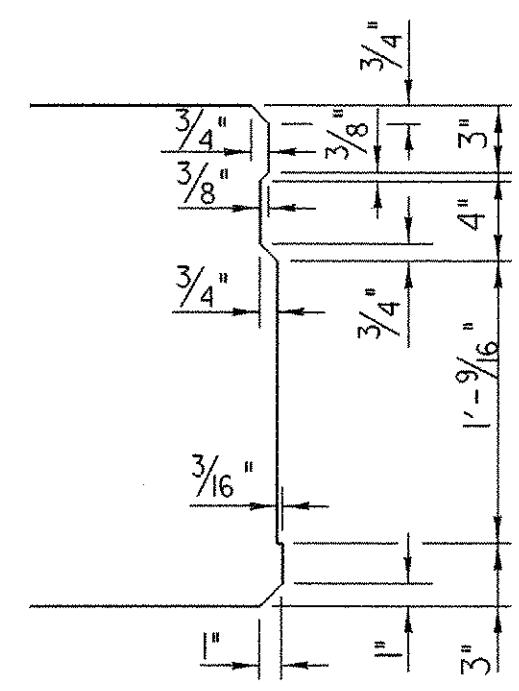
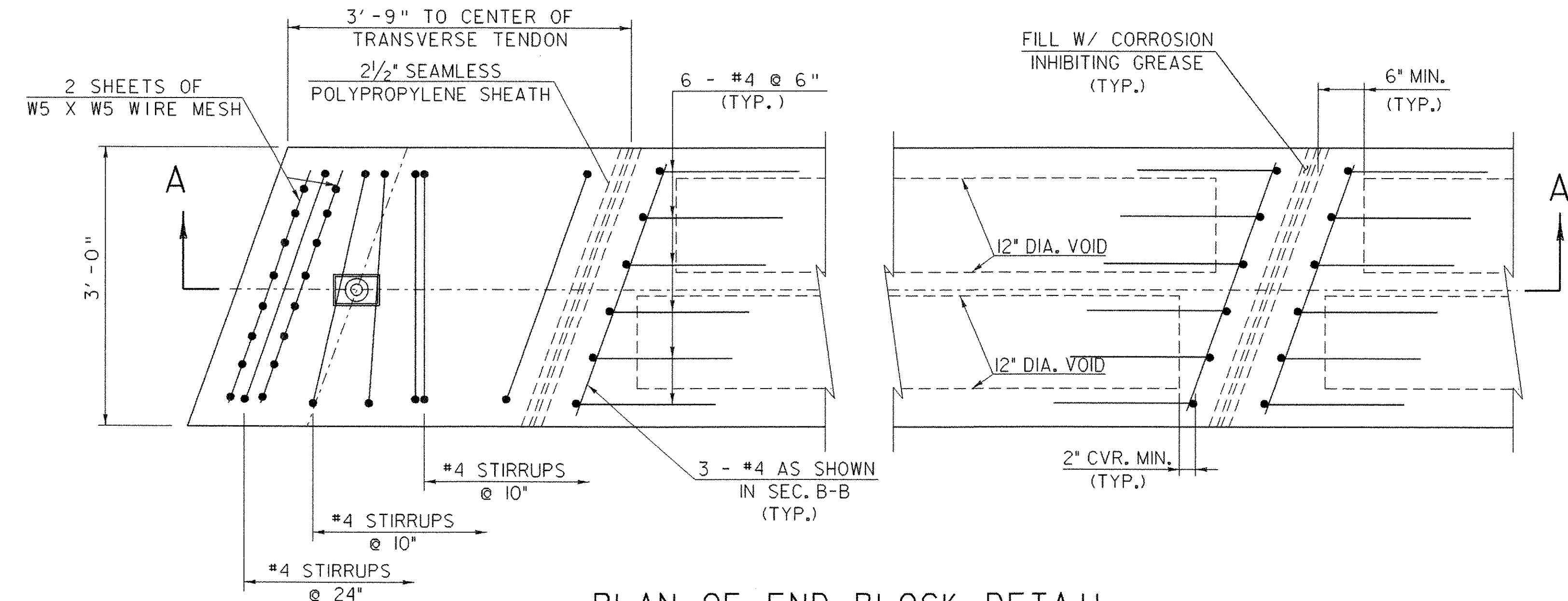


**SHEAR KEY SECTION FOR VOIDED SLAB**  
NTS

\*\*NOTE: INSTALL OAKUM AFTER UNITS HAVE BEEN PLACED

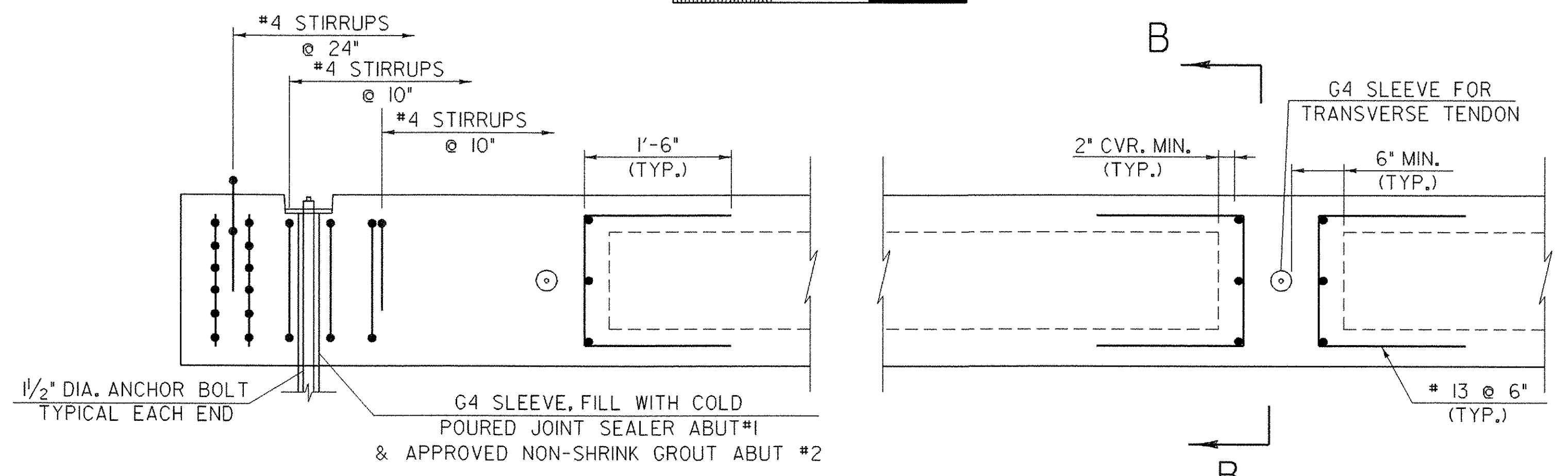


**SHEAR KEY DETAIL FOR VOIDED SLAB**  
NTS



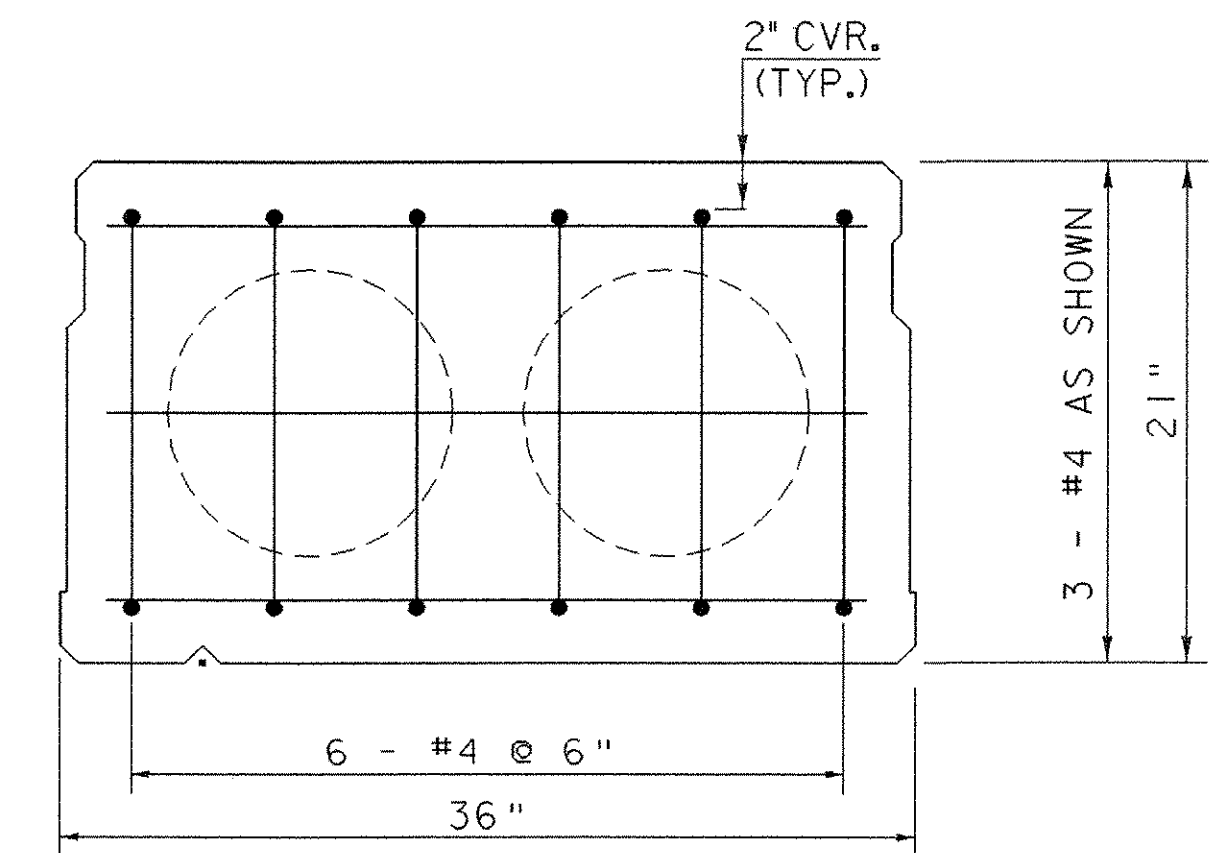
**PLAN OF END BLOCK DETAIL**

SCALE 1" = 1'-0"  
1 9 6 3 0 1 2



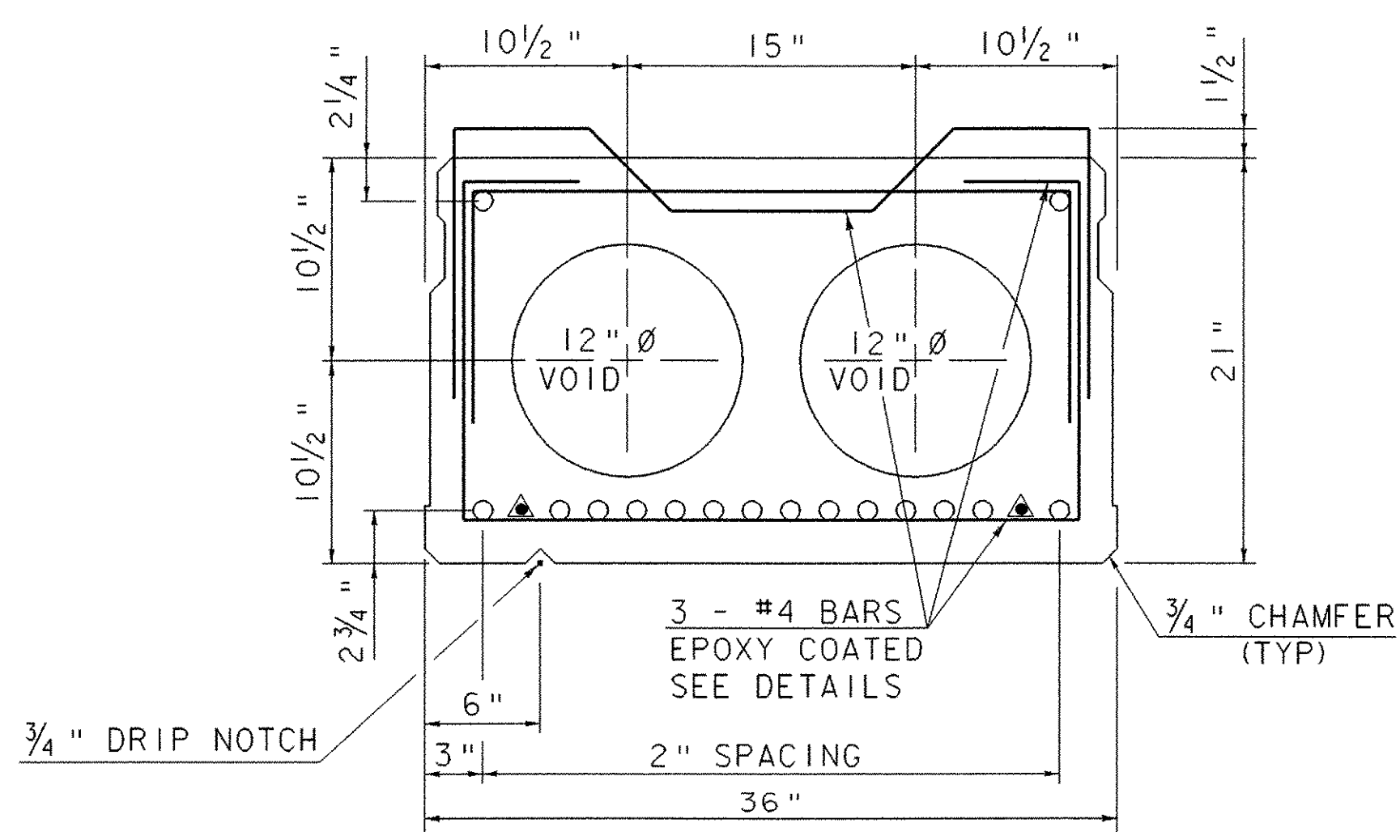
**VOIDED SLAB SECTION A-A**

SCALE 1" = 1'-0"  
1 9 6 3 0 1 2



**SECTION B-B**

SCALE 1 1/2" = 1'-0"  
1 9 6 3 0 1



**21" X 36" VOIDED SLAB**

SCALE 1 1/2" = 1'-0"  
1 9 6 3 0 1

▲ = STRAND DEBONDED 4'-0" EACH END  
\*\* = STOP DRIP NOTCH 5'-0" FROM ENDS OF UNIT AND OUTLET AT 45° TO FASCIA.

MAX NUMBER OF STRANDS FOR 21" SLAB

ROW*	NO. OF STRANDS
1 @ 2 3/4"	16 STRANDS
2 @ 18 3/4"	2 STRANDS

\*ROWS ARE ALWAYS AT SPECIFIED DISTANCES FROM BOTTOM OF UNIT

SERVICE LOADS

GIRDER	21" X 36"
MEMBER MOMENT	228.5 FT KIP
DECK MOMENT	115.5 FT KIP
SUPERIMPOSED DEAD LOAD MOMENT	59.4 FT KIP
LIVE LOAD & IMPACT MOMENT	301.3 FT KIP
DEAD LOAD REACTION	28 KIP
LIVE LOAD & IMPACT REACTION	52 KIP
TOTAL REACTION	80 KIP
CAMBER UNDER DEAD LOADS AT ERECTION	1.51 IN
CAMBER UNDER DEAD LOADS AT LONG TERM	0.00 IN

**SUPERSTRUCTURE DETAILS  
21" X 36" VOIDED SLAB**

PROJECT NAME:	CASTLETON	FILE NAME:	PW/78f193/sf193sup.dgn	PLOT DATE:	16-FEB-2007
PROJECT NUMBER:	RS 0142(10)	PROJECT LEADER:	R. WHITCOMB	DRAWN BY:	L. BULLOCK
		DESIGNED BY:	M. HALE	CHECKED BY:	C. CARLSON
			78f193/str/sf193vsl1		SHEET 41 OF 68