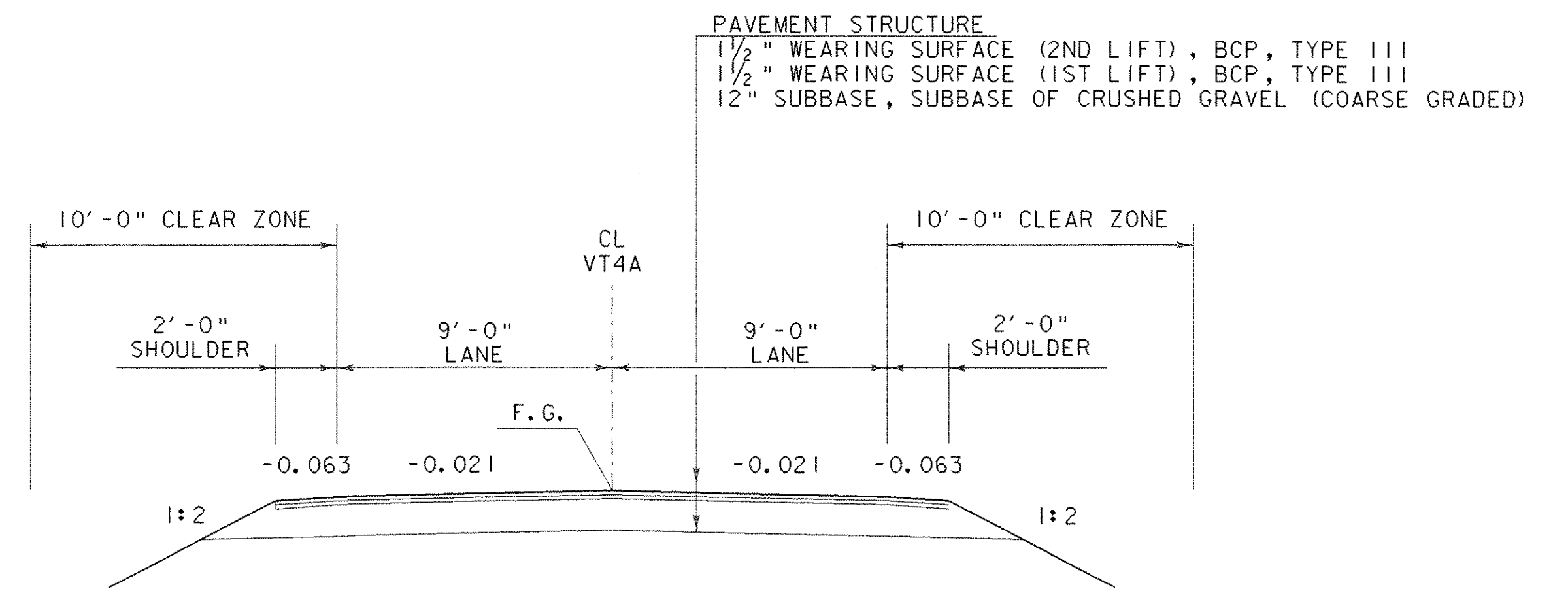
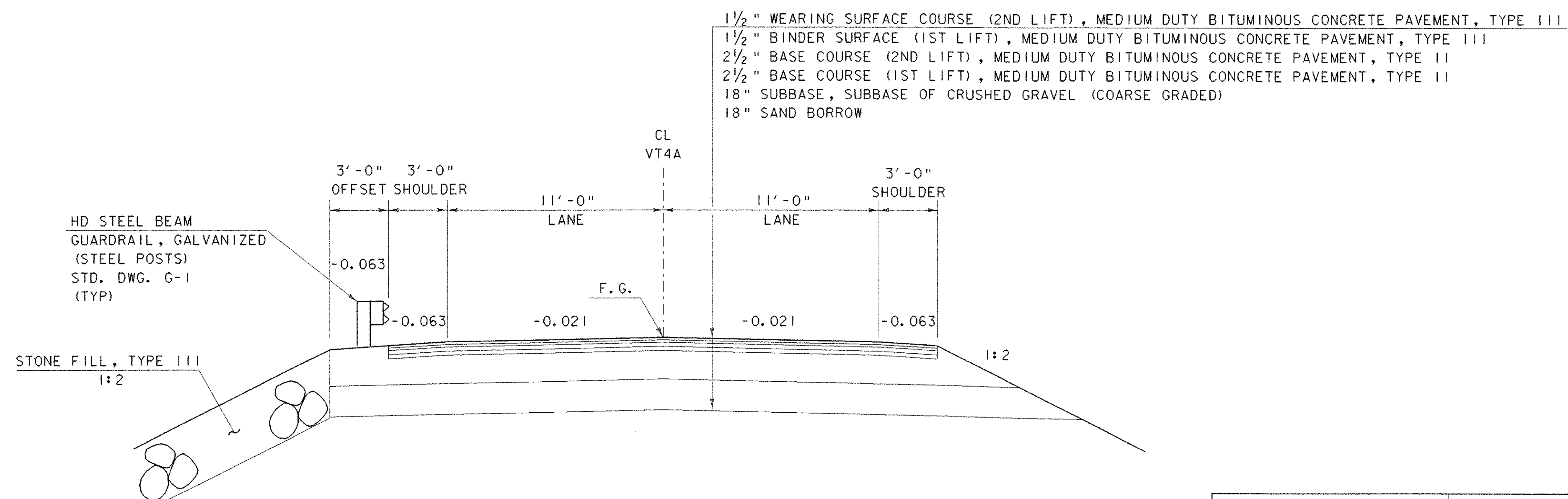


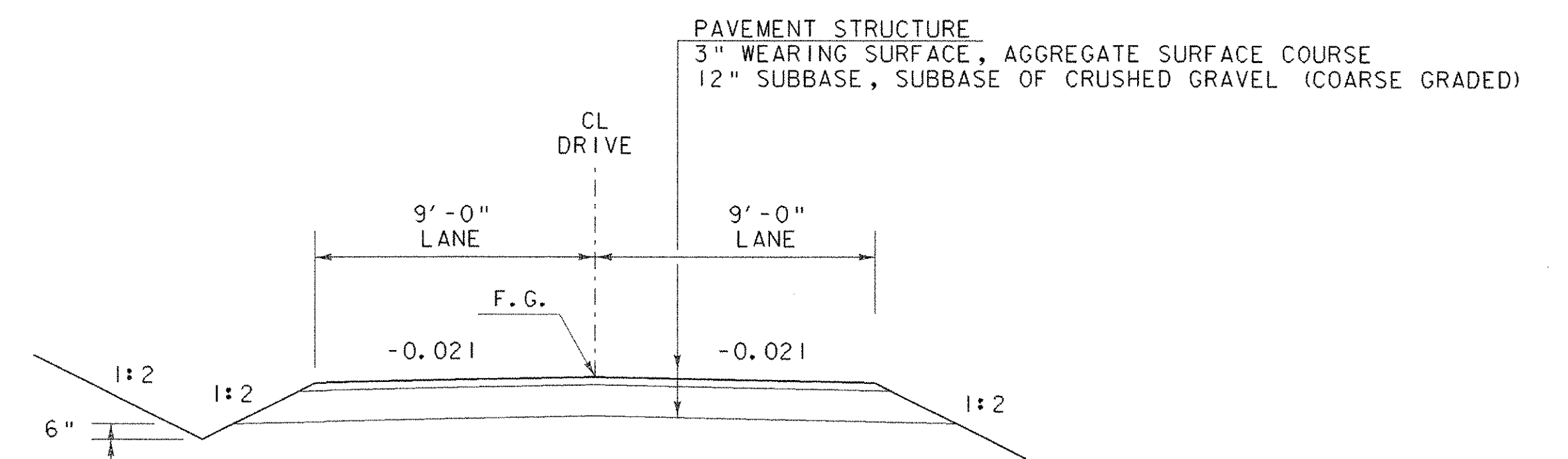
MAINLINE
 TYPICAL ROADWAY SECTION
 BANKED



TH 8
 TYPICAL ROADWAY SECTION
 NORMAL CROWN



MAINLINE
 TYPICAL ROADWAY SECTION
 NORMAL CROWN



DRIVE 1
 TYPICAL ROADWAY SECTION
 NORMAL CROWN

TYPICAL SECTIONS
 ROADWAY

MATERIAL ITEM	TOLERANCE
PAVEMENT SURFACE COURSE	± 1/4" TOTAL THICKNESS
PAVEMENT BASE COURSE	± 1/2"
AGGREGATE SURFACE COURSE	± 1/2"
SUBBASE	± 1"
SAND BORROW	± 1"
GRANULAR BORROW	± 1"

SCALE 1/4" = 1'-0"
 1 0 2 4 6

PROJECT NAME: CASTLETON
 PROJECT NUMBER: RS 0142(10)
 FILE NAME: sf193+x3.1
 PROJECT MANAGER: R. WHITCOMB
 DESIGNED BY: T. LACKEY
 78F193/str/sf193xsl.dgn
 PLOT DATE: 09-FEB-2007
 DRAWN BY: T. LACKEY
 CHECKED BY: R. WHITCOMB
 SHEET 5 OF 68