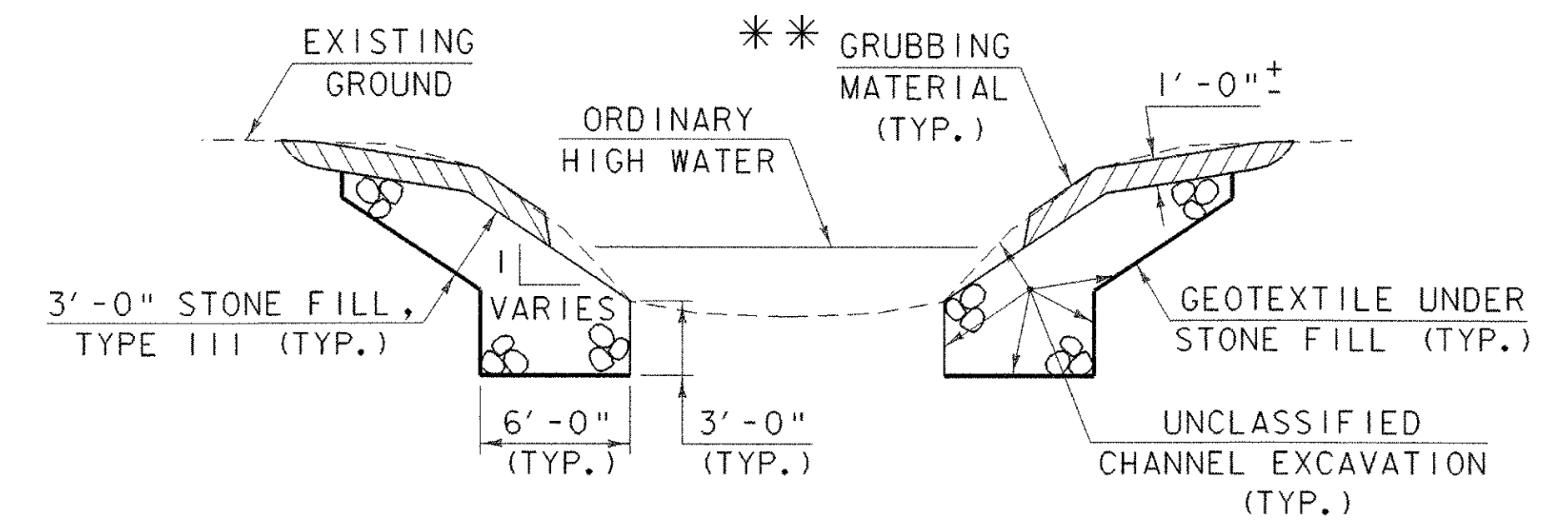


TYPICAL BRIDGE SECTION

\* NOMINAL PRESTRESSED UNIT WIDTHS.  
 ACTUAL WIDTHS VARY.

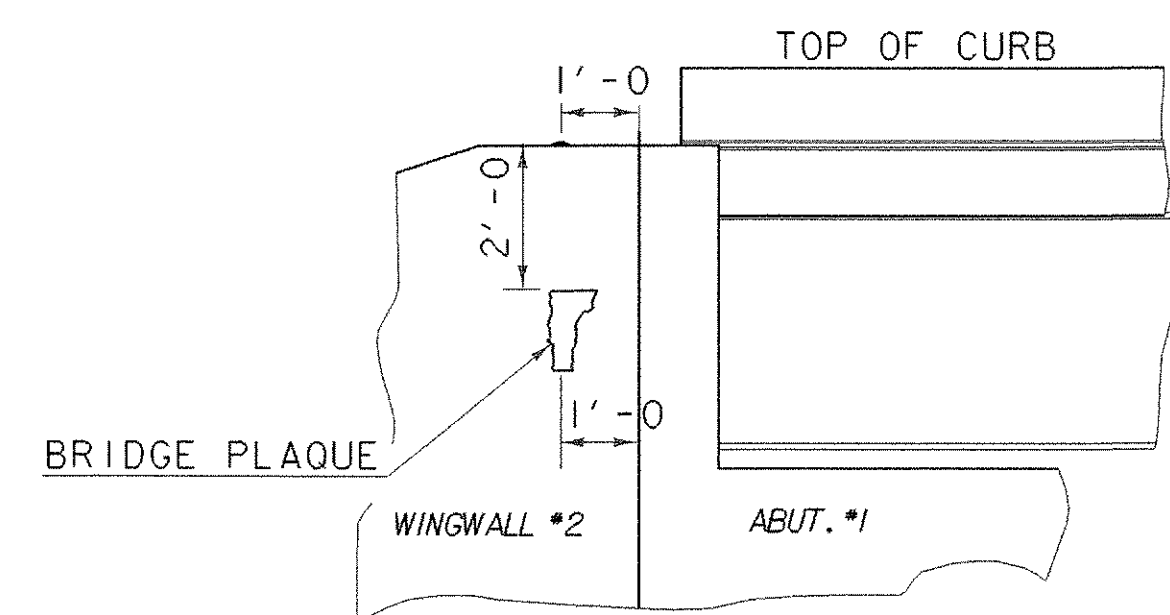
SCALE 1/4" = 1'-0"  
 1 0 2 4 6



CHANNEL TYPICAL SECTION

NOT TO SCALE

\*\* GRUBBING MATERIAL SHALL NOT BE PLACED ON THE STONE FILL IN THE AREA UNDER THE BRIDGE. WHENEVER CHANNEL SLOPE INTERSECTS ROADWAY SUBBASE, GRUBBING MATERIAL SHALL BEGIN AT THE BOTTOM OF SUBBASE.



BRIDGE PLAQUE

THE BENCH MARK AND BRIDGE PLAQUE WILL BE SUPPLIED BY THE AGENCY OF TRANSPORTATION AND SHALL BE INSTALLED BY THE CONTRACTOR AT ABUTMENT #1 ON THE RIGHT SIDE AS SHOWN OR AS DIRECTED BY THE ENGINEER.

TYPICAL SECTIONS  
 BRIDGE

PROJECT NAME: CASTLETON	PLOT DATE: 09-FEB-2007
PROJECT NUMBER: RS 0142(10)	DRAWN BY: T. LACKEY
FILE NAME: sf193+xl1	CHECKED BY: R. WHITCOMB
PROJECT LEADER: R. WHITCOMB	SHEET 3 OF 68
DESIGNED BY: T. LACKEY	
78F193/str/sf193xsl.dgn	