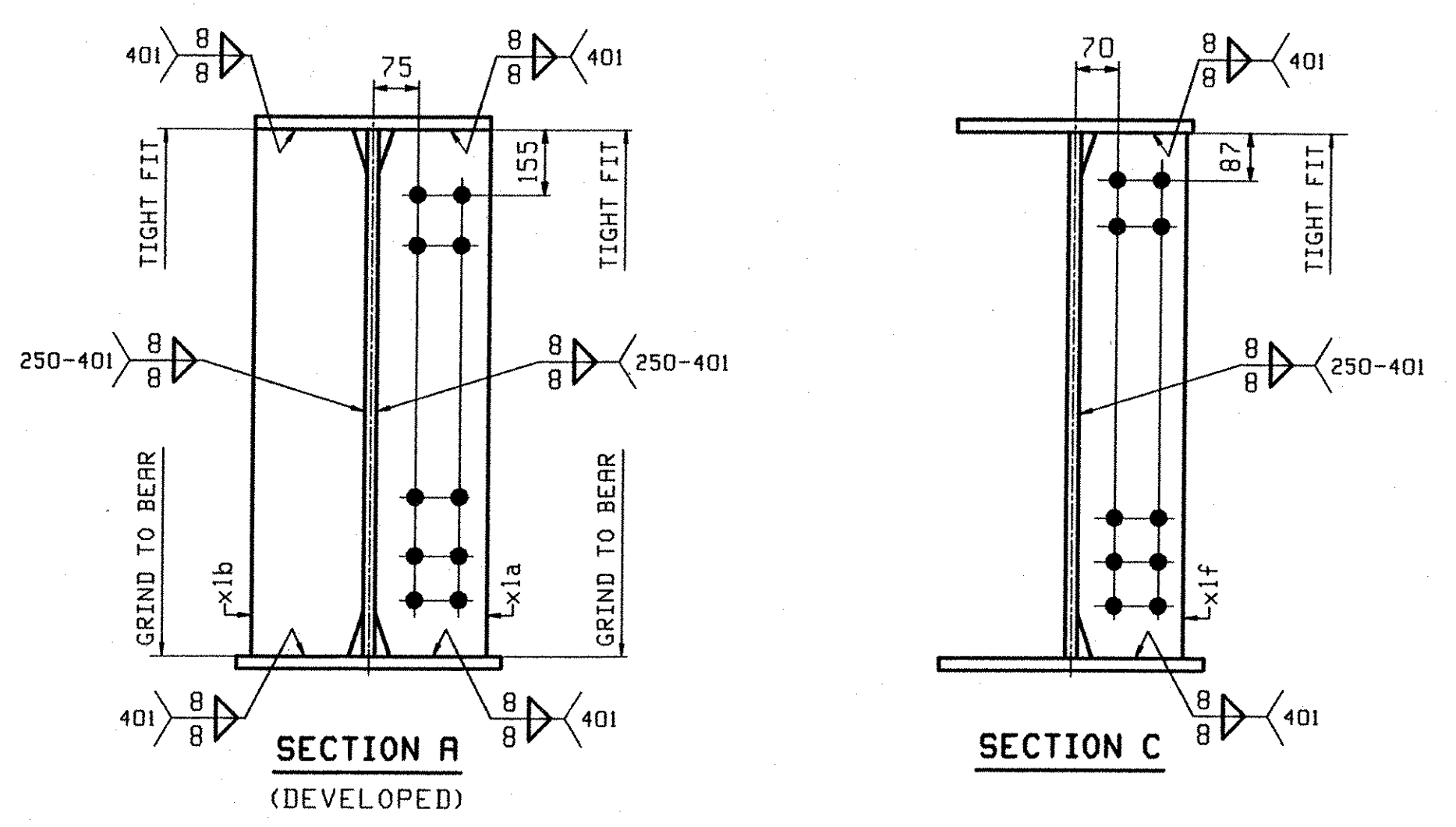
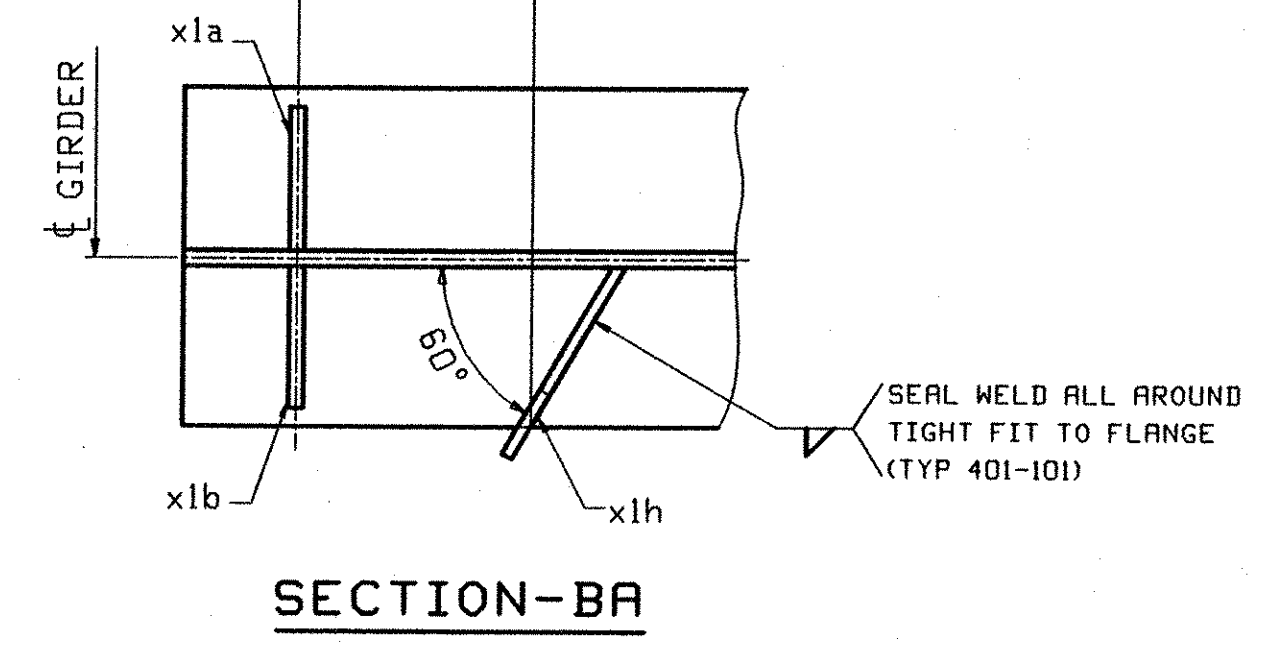
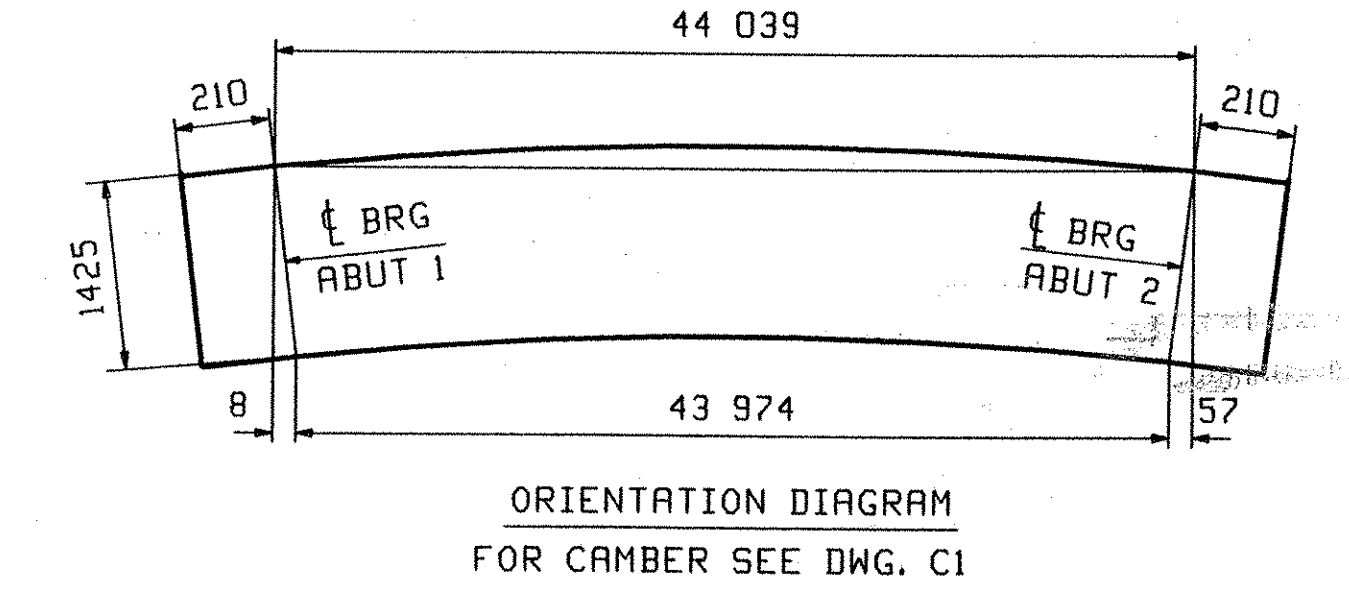


ABM INFO		SHIP		BILL OF MATERIAL			JOB NO.	DRAWING NO.	REV.
PAGE	LINE	MARK	QTY	MARK	MATERIAL	LENGTH	REMARKS	MT	PROCUREMENT NOTES
						m			
		5G5A	1		GIRDER			1416 kg	
1	G		1	wa	PL 16x1425	23 084	(H270M-345HT2)	(H2-3)	
1	J		1	wb	PL 16x1425	21 396	(H270M-345HT2)	(H2-3)	
1	N		1	ta	PL 22x400	21 336			
1	L		1	tb	PL 22x400	23 123			
1	E		1	ba	PL 22x450	9 460	(H270M-345HT2)	(H2-3)	
1	A		1	bb	PL 40x450	25 500	(H270M-345HT2)	(H2-3)	
1	C		1	bc	PL 22x450	9 434	(H270M-345HT2)	(H2-3)	
2	B		2	xla	PL 20x190	1 425			
2	B		2	xlb	PL 20x190	1 425			
2	C		5	xlf	PL 14x180	1 425			
2	D		1	xlh	PL 6x75	0 310			

**ONE - GIRDER - 5G5A**  
 FOR GIRDER STANDARD DETAILS SEE DRAWING X1.  
 FOR CAMBER DIAGRAM SEE DRAWING C1.  
 FOR GENERAL NOTES SEE DRAWING GNL.  
 H2-3 DENOTES MATERIAL SUBJECT TO CHARPY V-NOTCH TESTING.



Reviewed  
 Rejected  
 Furnish as Corrected  
 Revise and Resubmit  
 Submit Specified Item

RECEIVED  
 OCT 20 2004  
 BY: [Signature] DATE: 11-01-04

This review is only for general conformance with the design concept and the information given in the Construction Documents. Corrections or comments made on the shop drawings during this review do not relieve the contractor from compliance with the requirements of the plans and specifications. Review of a specific item shall not include review of an assembly of which the item is a component. The Contractor is responsible for dimensions to be confirmed and coordinated at the job site. Information that pertains solely to the fabrication process or to the means, methods, techniques, sequences and procedures of construction; coordination of the Work with that of all other trades and performing all work in a safe and satisfactory manner.

McFarland-Johnson, Inc.  
 Date: 10/18/04  
 By: [Signature]

OUT FOR APPROVAL											
ISSUED TO SHOP											
FIELD & OFFICE											
REV.	REMARKS	DATE	DWN	CHK	APP	Q.A.	NO.	DIA.	LGT	TYPE	WASHER
MATERIAL:	M270M-345W	ELECTRODES:									SHOP BOLTS:
SURFACE PREP. & PAINT: STEEL WITHIN 2450 OF ABUTMENT 2 SHALL BE PAINTED PER NOTES ON GNL. ALL OTHER STEEL SHALL BE UNPAINTED.											
DESCRIPTION:	GIRDER - 5G5A					DRAWN BY	DATE				
JOB:	VT. ROUTE 118 OVER TROUT RIVER					CHKD BY	07/27/04				
TOWN OF BERKSHIRE, VT							PCP	07/30/04			
FRANKLIN COUNTY							APPROV BY				
PROJ NO.	BRF-RS 0283(7)					SUPERVISOR	M. J. GATTI				
CUSTOMER:	A.L. ST. ONGE					Q.A.					
<b>CASCO BAY STEEL STRUCTURES, INC.</b>							JOB NO.	DRG. NO.			
75 SPRING HILL ROAD							222	5			
PHONE (207) 282-7360							SACO, MAINE 04072	15955	REV.	△	
							FAX (207) 282-1179				