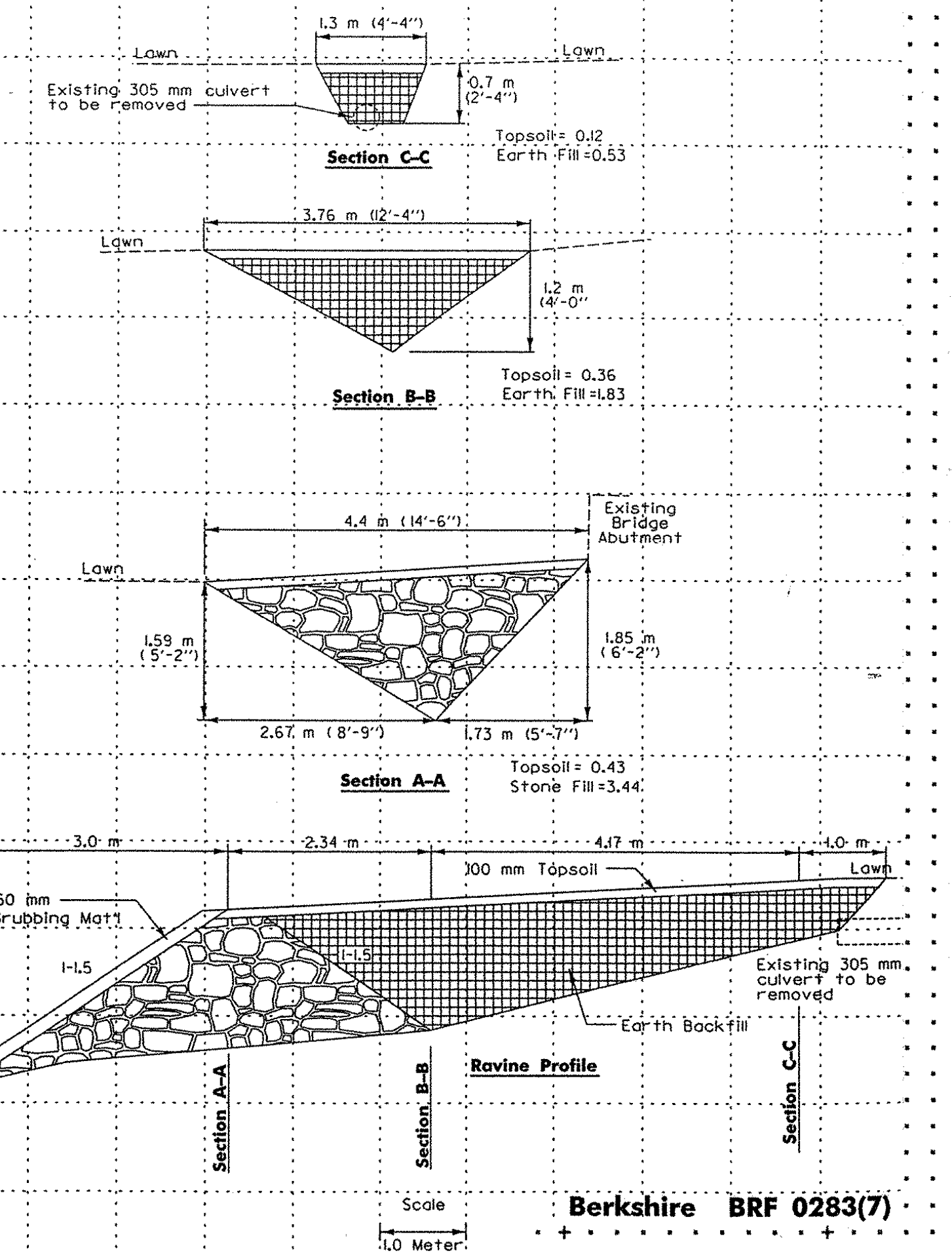
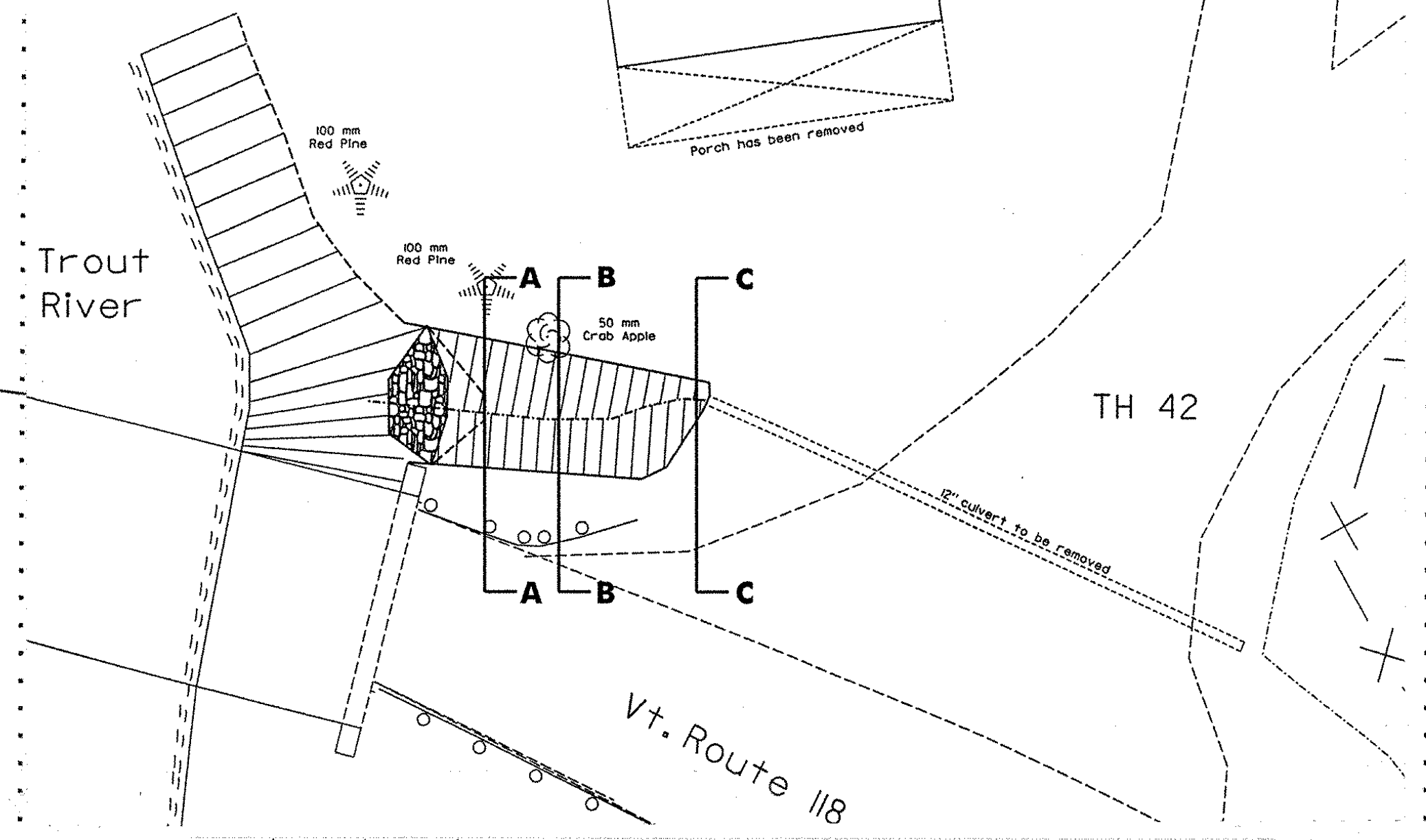


STA 30+103.2 LT
 FILL EXISTING DITCH
 SEE DETAILS, THIS SHEET



Berkshire BRP 0283(7)

Scale 1:10 Meter

FROM STA. 30+070 TO STA. 30+115 OLD VT. RTE. 118
 PROJECT NAME: VERMONT ROUTE 118 OVER TROUT RIVER
 PROJECT NO. BRS 0283(7)
 PLOTTED BY: CJM 10/28/96 CHECKED BY: JAV 10/29/96
 SHEET 83 OF 140 SHEETS

SCALE 1" = 1m

78f184/2f184x16

ct:\usr\1946620\0283\rs.dgn