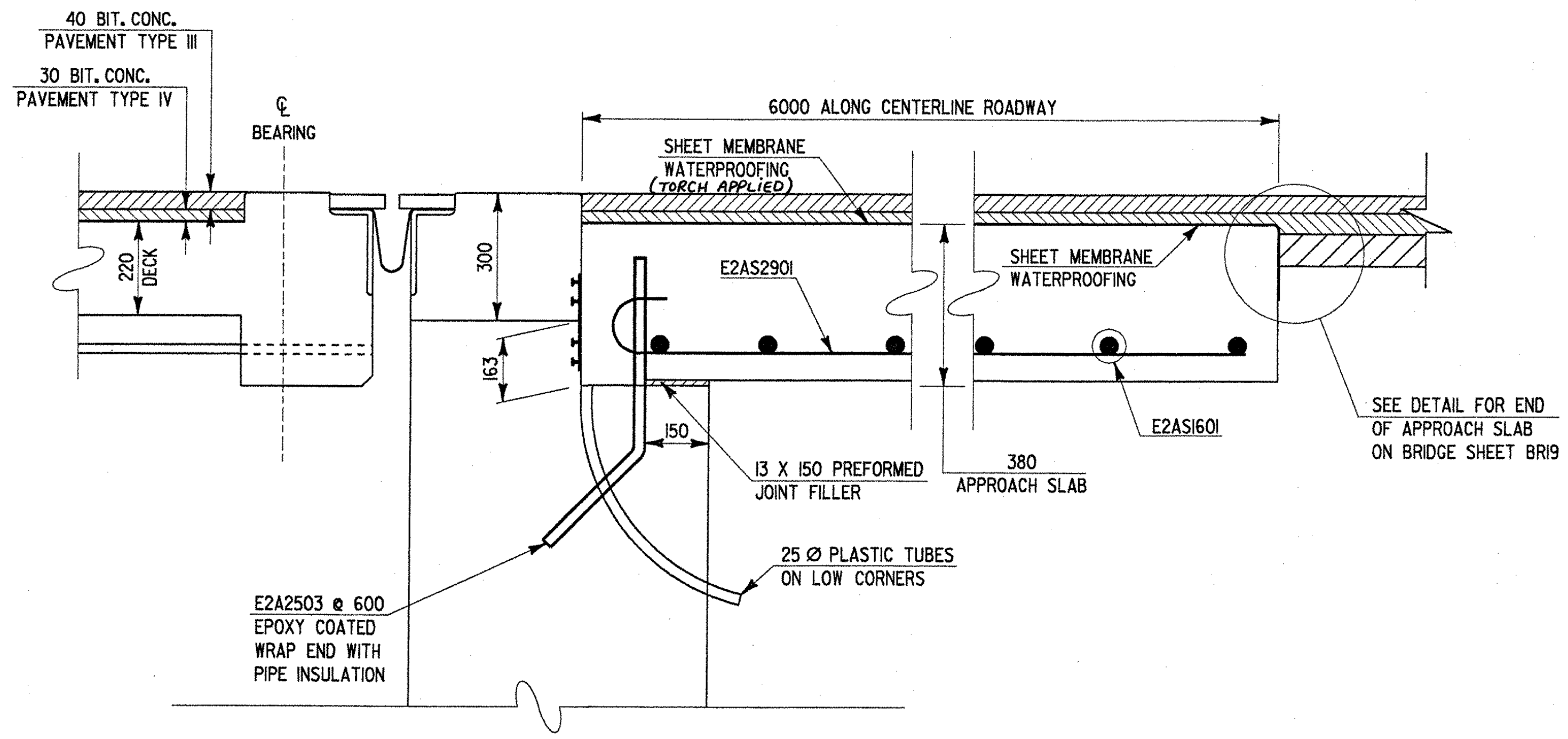


SECTION A - A

0 0.5 1

SCALE 1:10

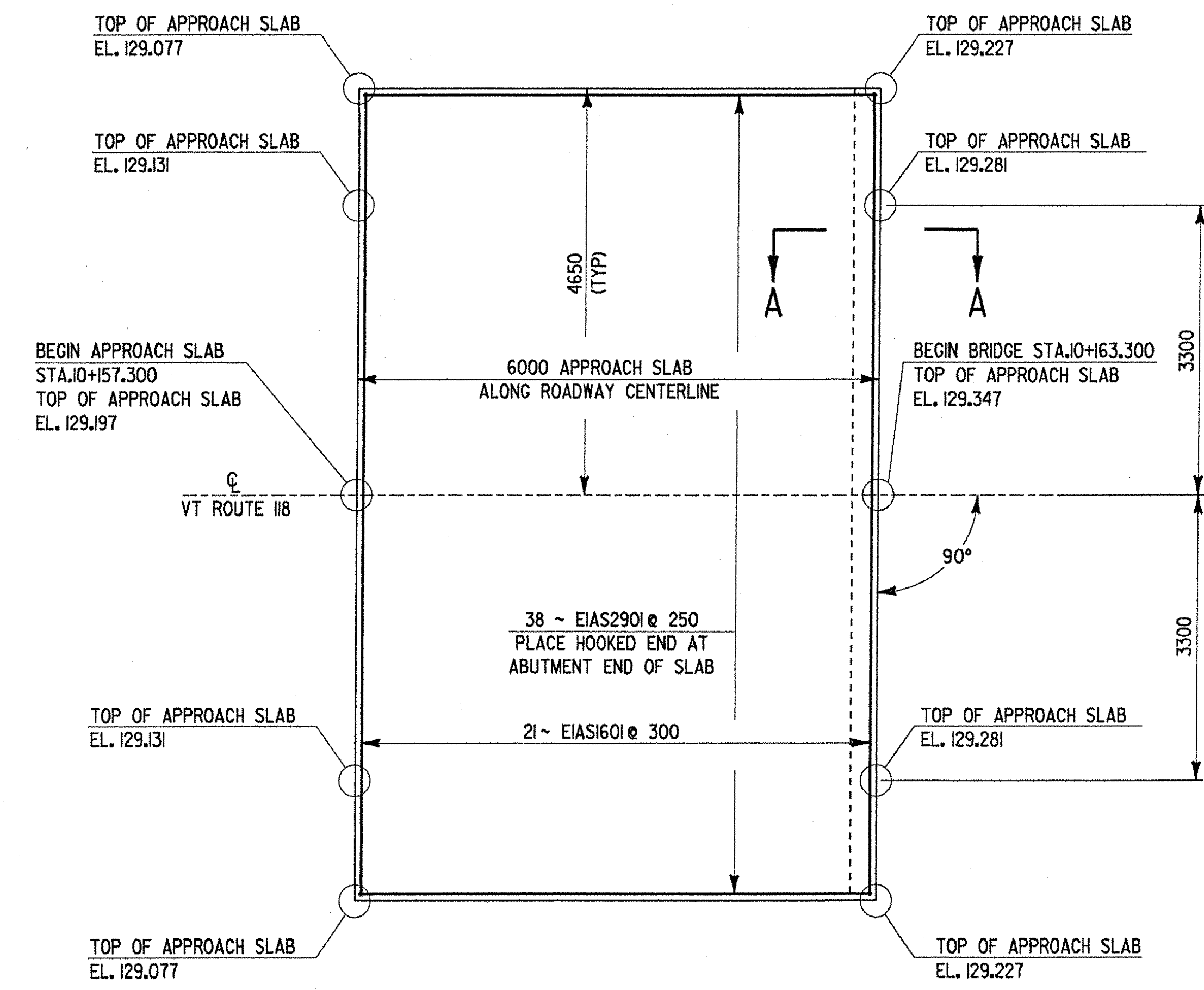


SECTION B - B

0 0.5 1

SCALE 1:10

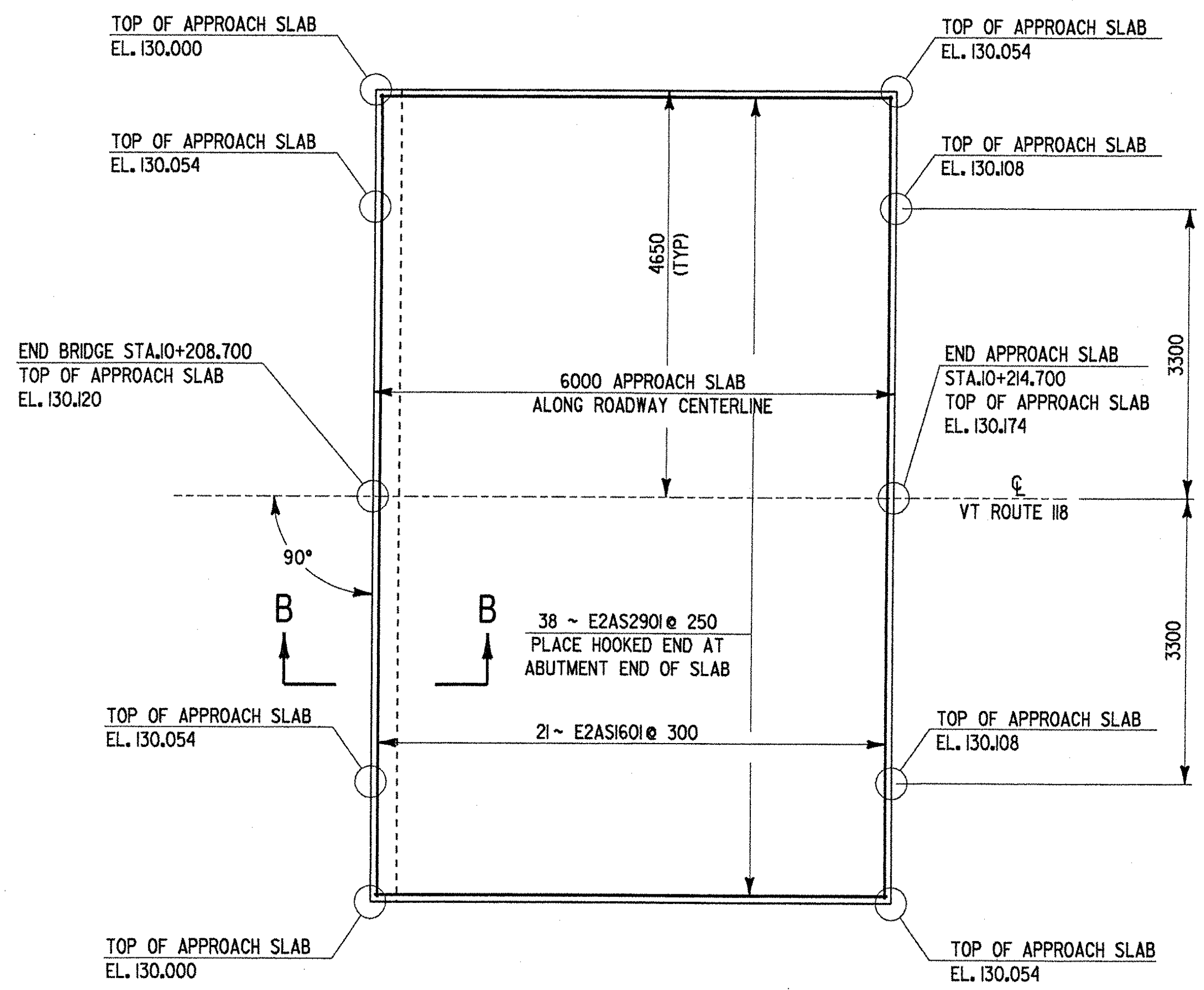
SEE BRIDGE SHEET BR17 & BR18 FOR ADDITIONAL DETAILS AT EXPANSION JOINT



APPROACH SLAB NO. 1 PLAN

0 1 2 3 4 5

SCALE 1:50



APPROACH SLAB NO. 2 PLAN

0 1 2 3 4 5

SCALE 1:50

<b>STATE OF VERMONT AGENCY OF TRANSPORTATION</b>	
Town Of <b>BERKSHIRE</b>	Bridge No. <b>26</b>
Highway No. <b>VT. ROUTE 118</b>	Log Sta. <b></b> Surv. Sta. <b></b>
<b>VT. ROUTE 118 OVER TROUT RIVER APPROACH SLAB DETAILS</b>	
Designed By <b>S. JOHNSON</b>	Drawn By <b>S. DELIA</b>
Checked By <b>S. JOHNSON</b>	Date <b>02/00</b>
PROJECT <b>BERKSHIRE</b>	
PROJECT NO. <b>BRF-RS 0283(7)</b>	
I.G.C. Info. <small>yr1914562z184aps.dgn</small>	
Bridge Sheet No. <b>BR27</b>	Sheet <b>66</b> of <b>140</b>