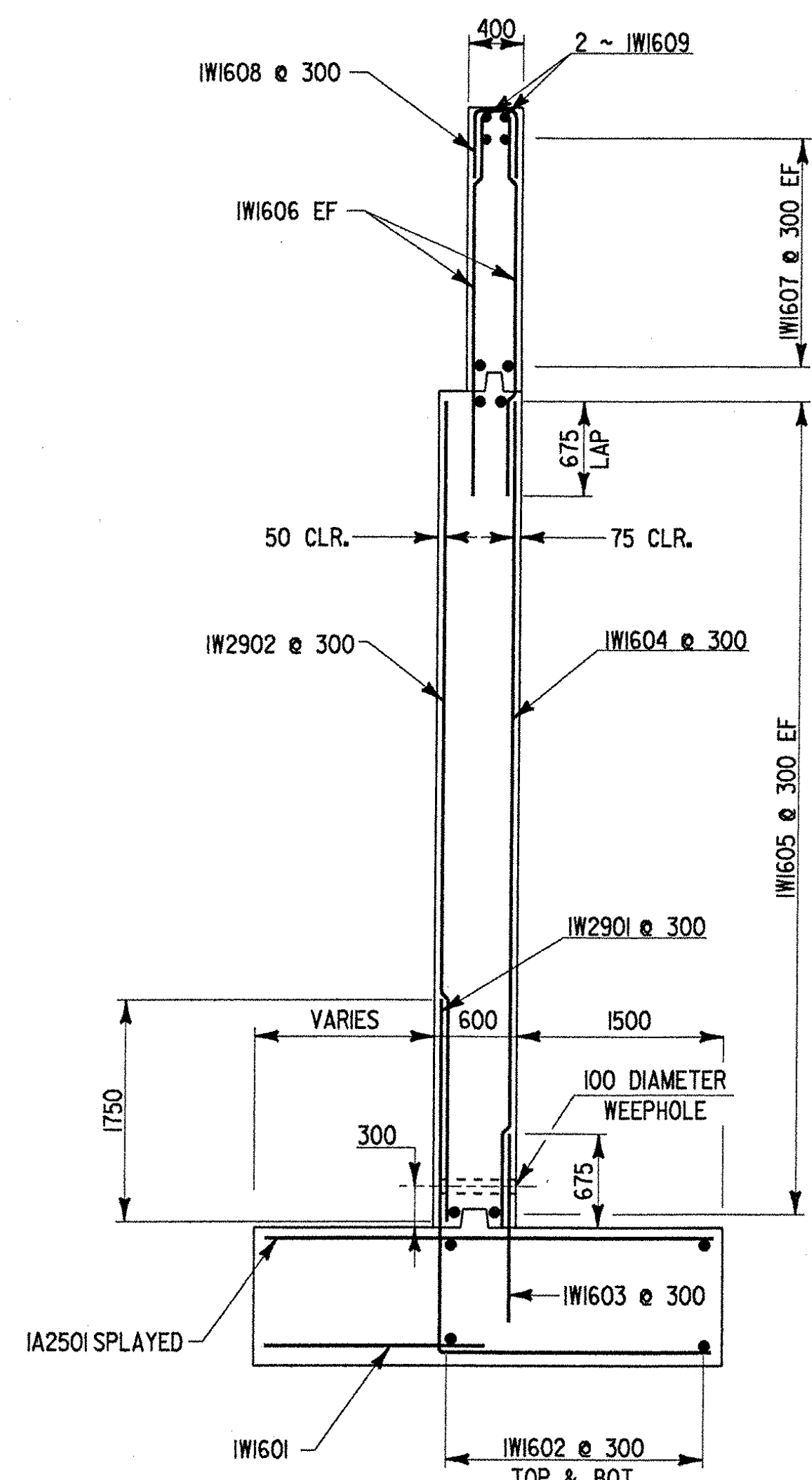
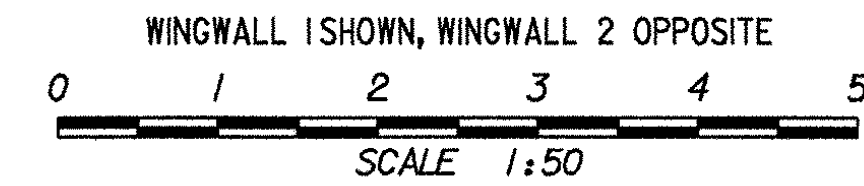
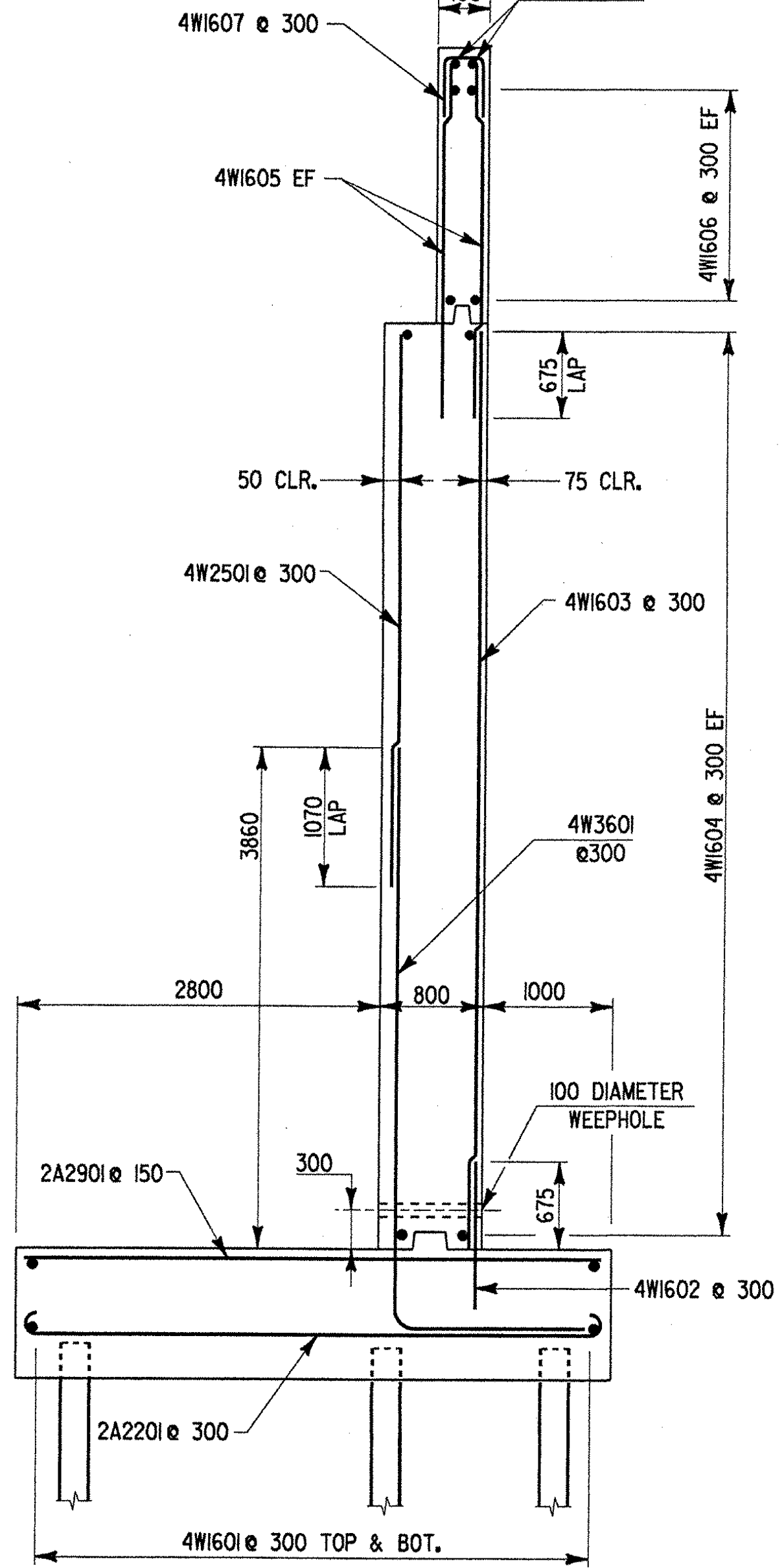
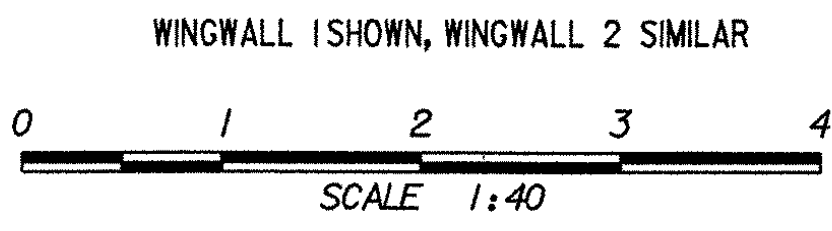


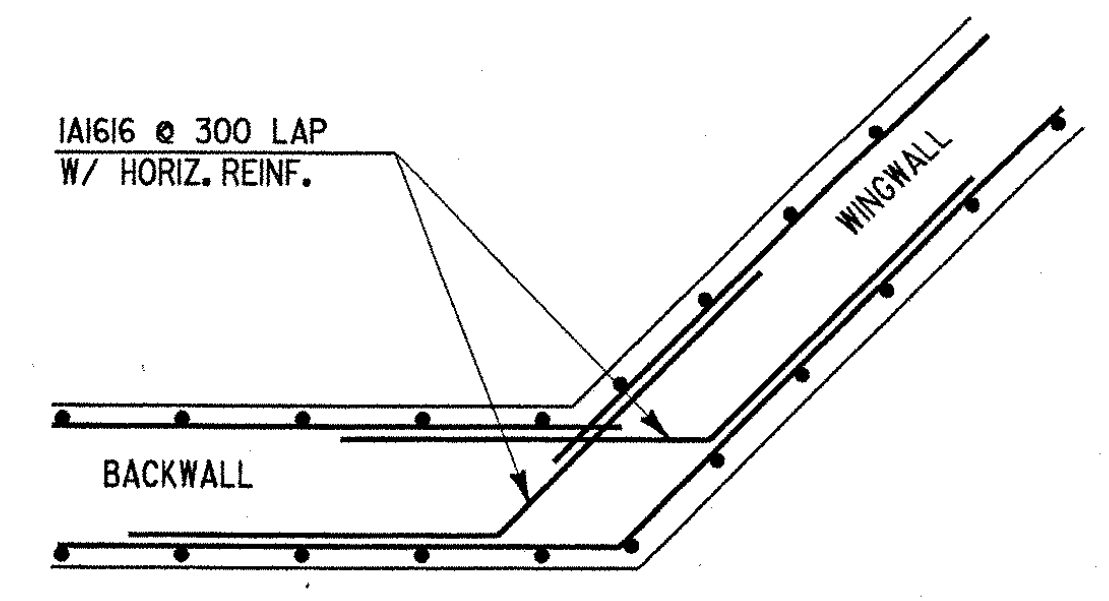
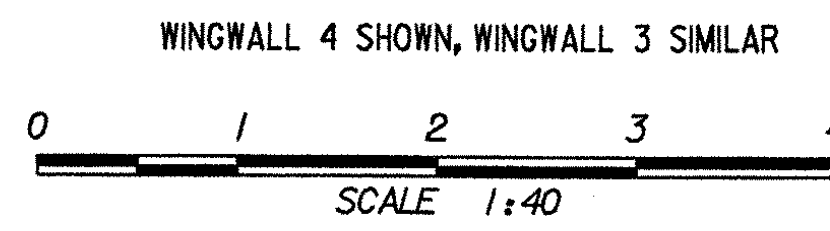
ABUTMENT NO. 1 WINGWALL ELEVATION



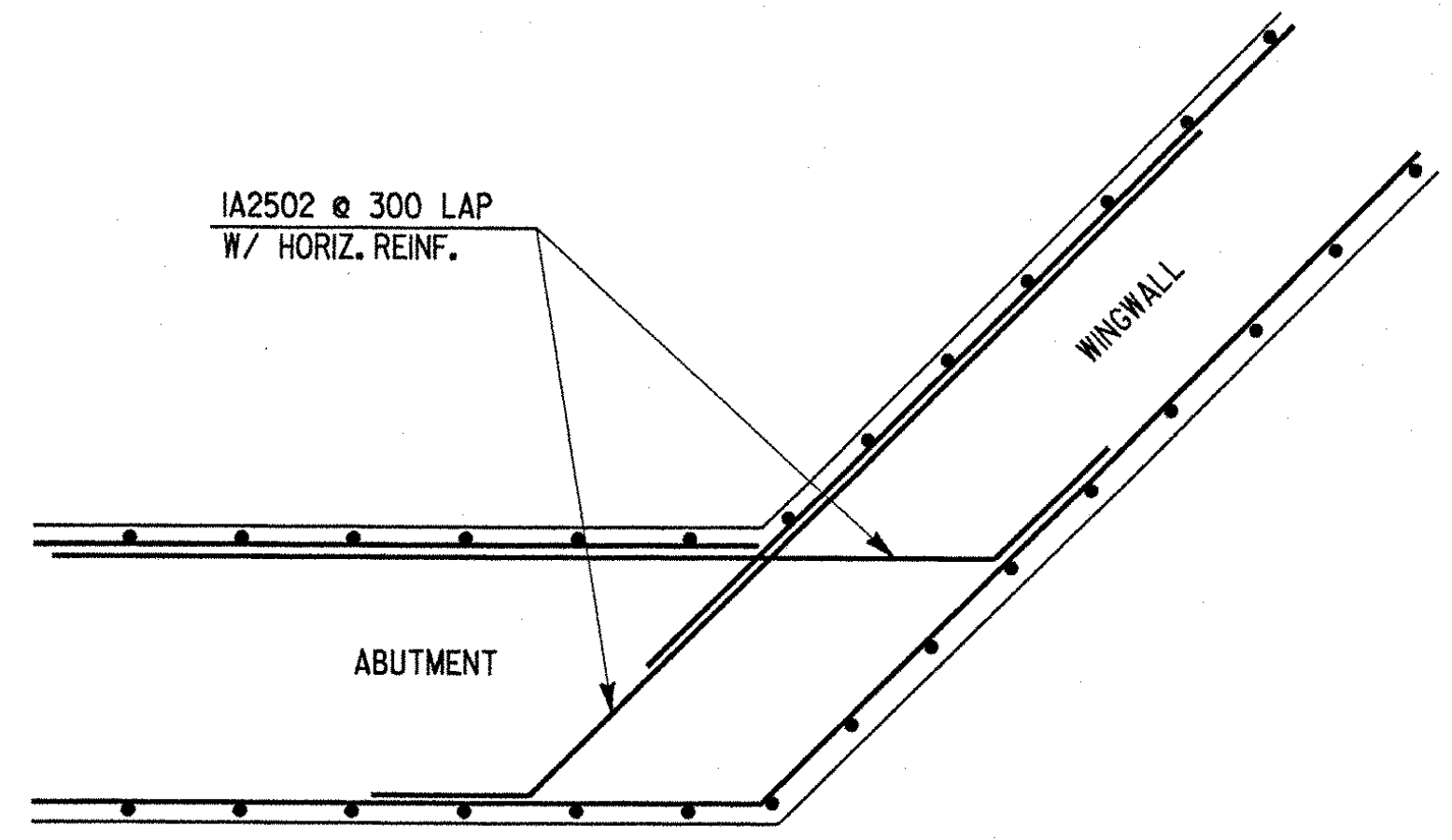
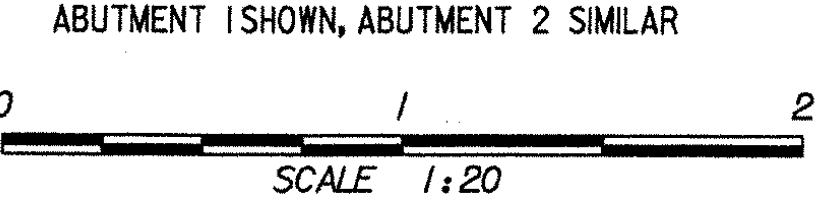
WINGWALL NO. 1 & NO. 2 TYPICAL SECTION



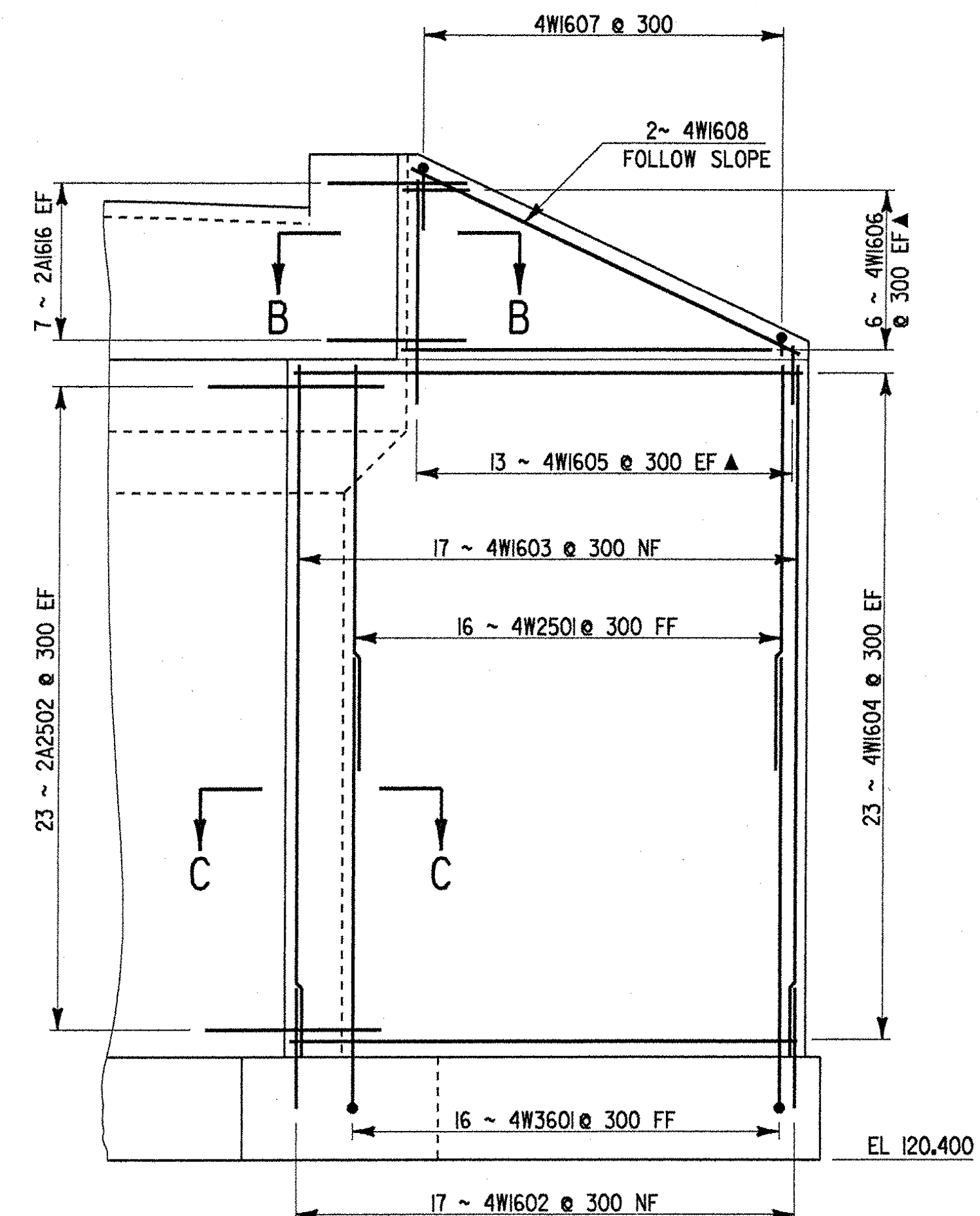
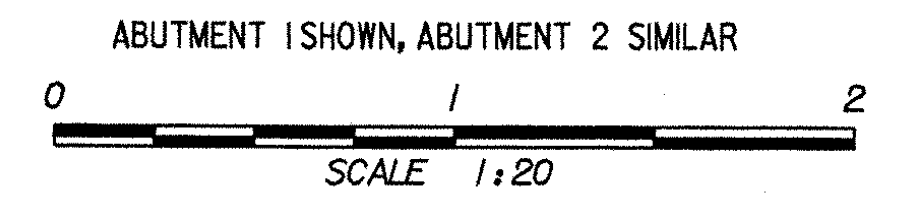
WINGWALL NO. 3 & NO. 4 TYPICAL SECTION



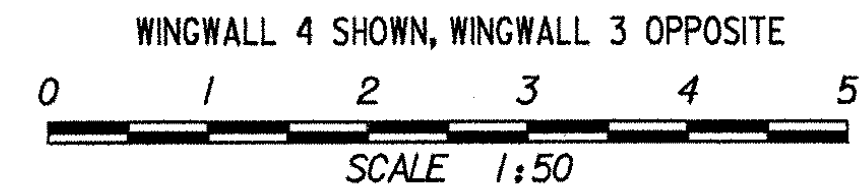
SECTION C-C BACKWALL CORNER DETAIL



SECTION B-B ABUTMENT CORNER DETAIL



ABUTMENT NO. 2 WINGWALL ELEVATION



STATE OF VERMONT AGENCY OF TRANSPORTATION	
Town Of BERKSHIRE	Bridge No. 26
Highway No. VT. ROUTE 118	Log Sta. Surv. Sta.
VT. ROUTE 118 OVER TROUT RIVER WINGWALL REINFORCING	
Designed By S. JOHNSON	Drawn By S. DELIA
Checked By S. JOHNSON	Bridge Design Supervisor
Date 02/00	Date
PROJECT BERKSHIRE	PROJECT NO. BRF-RS 0283(7)
I.G.C. Info. y:\1914562\zf184wdt.dgn	IPARMzf184wdt.dgn
Bridge Sheet No. BR26	Sheet 65 of 140