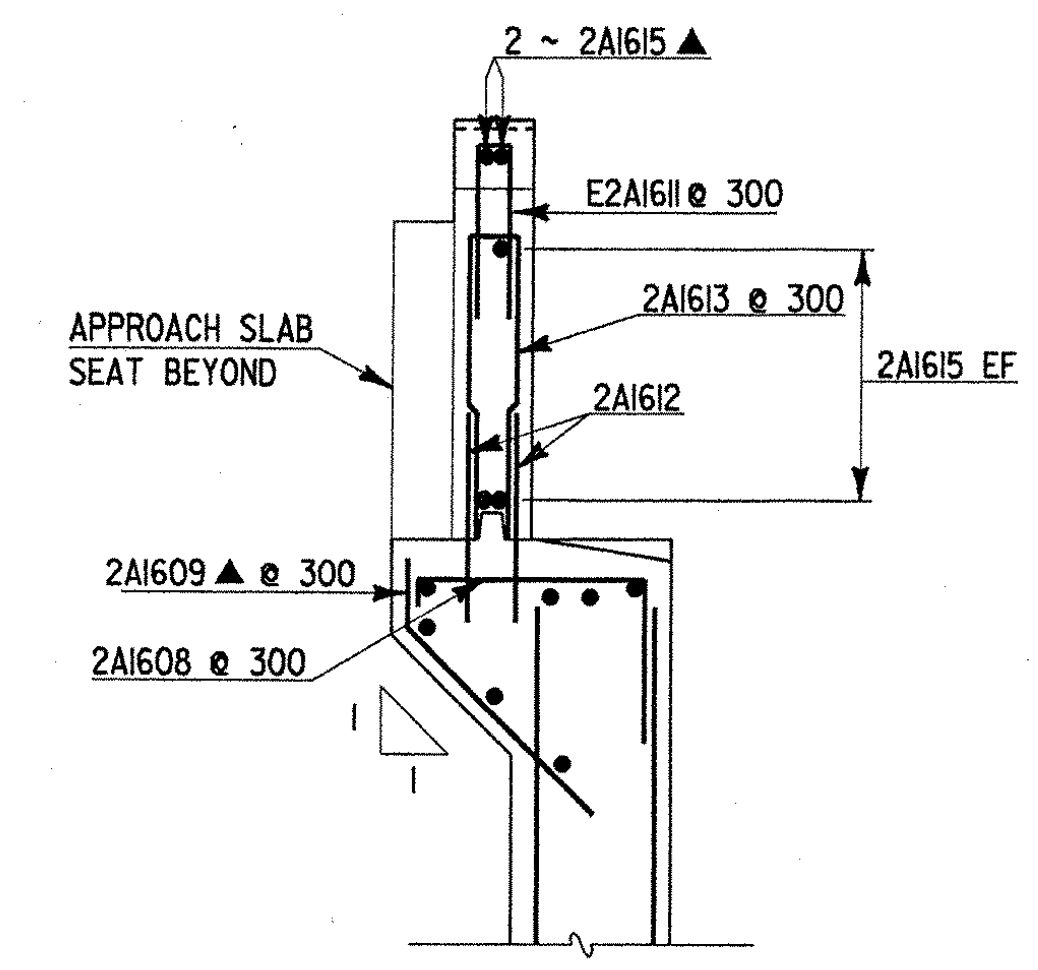
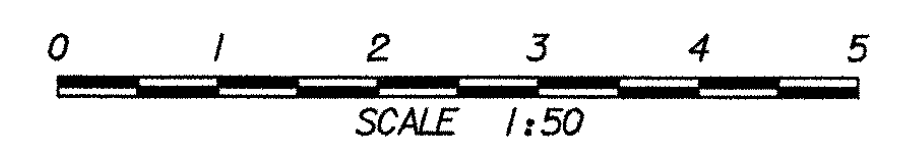
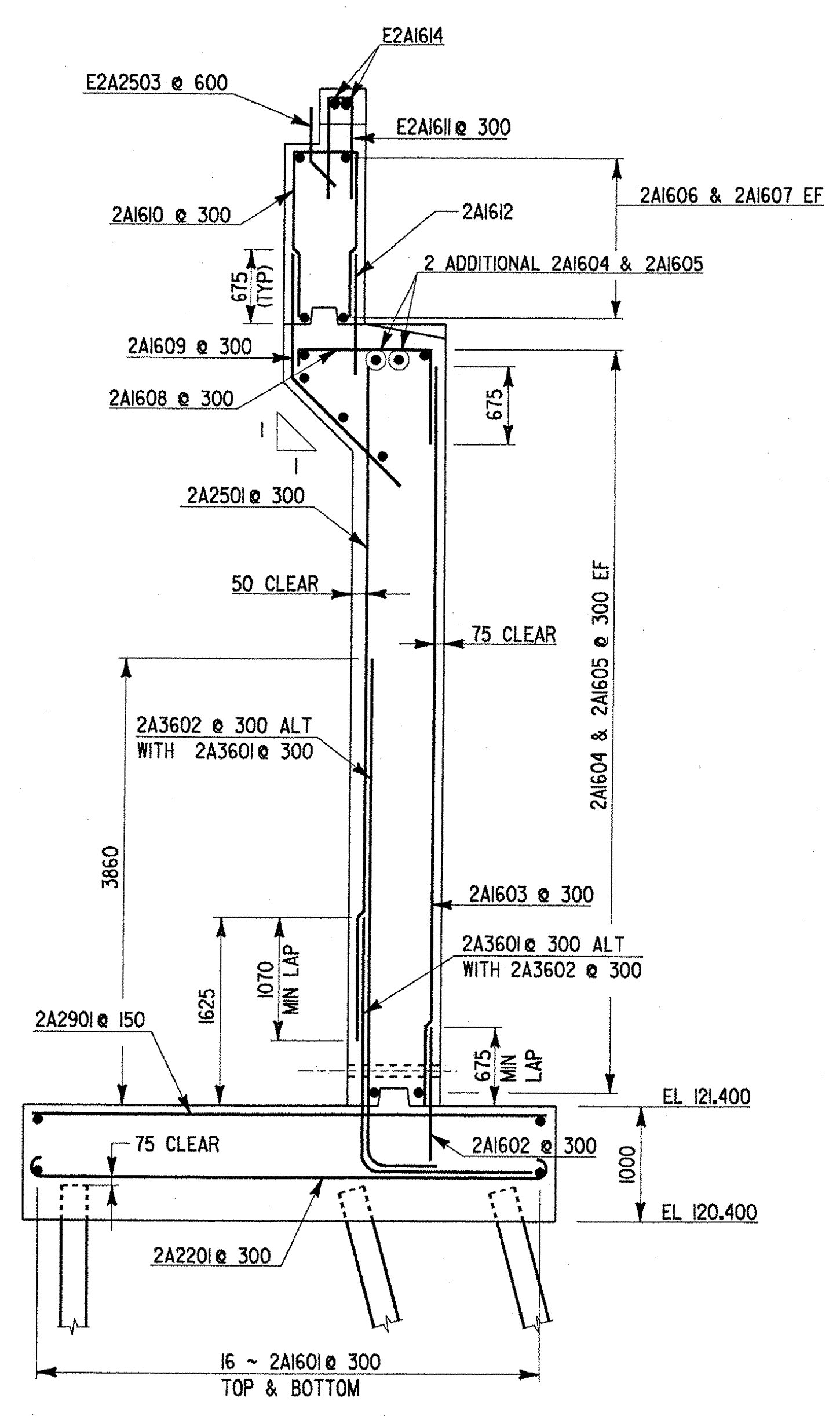
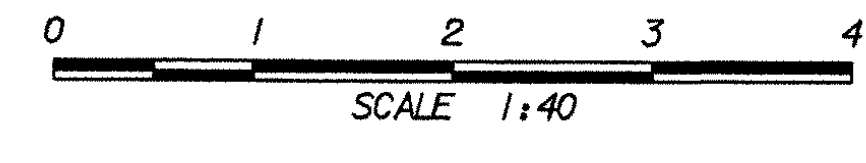


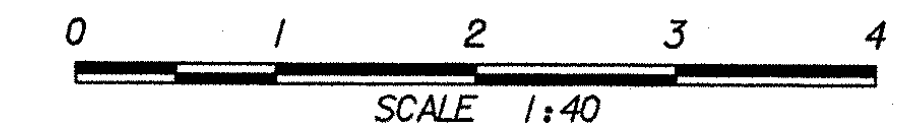
**ABUTMENT NO. 2 BACKWALL ELEVATION**



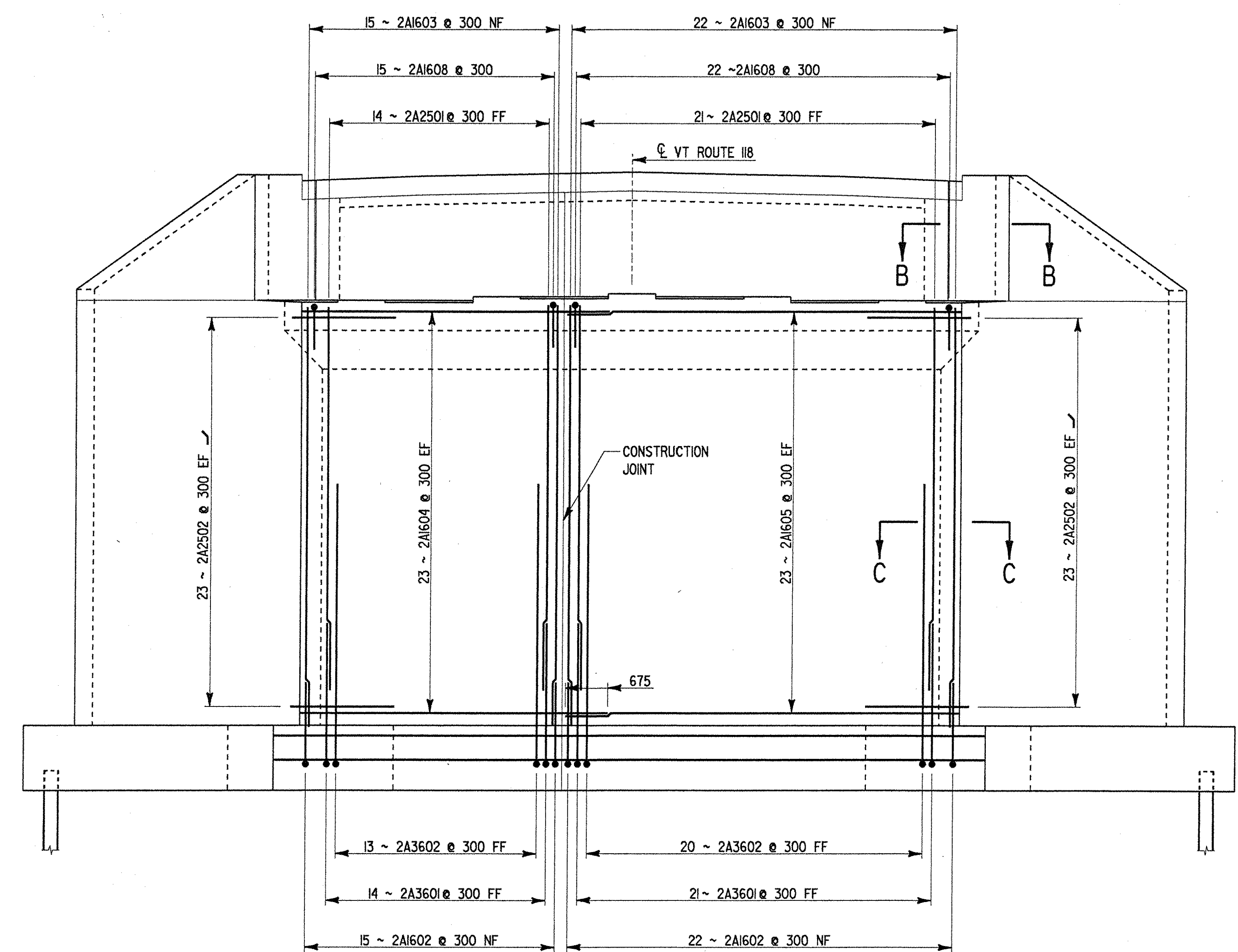
**SECTION A-A**



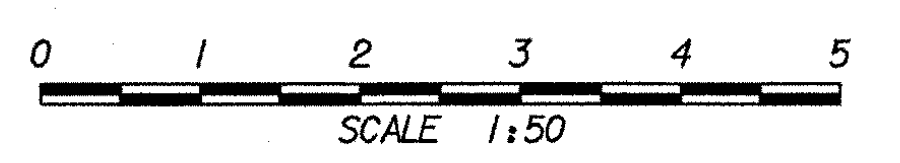
**ABUTMENT NO. 2 TYPICAL SECTION**



- NOTES:**
1. FF = FAR FACE
  2. NF = NEAR FACE
  3. EF = EACH FACE
  4. ▲ = CUT TO FIT IN FIELD
  5. 75 CLEAR UNLESS OTHERWISE SPECIFIED ON THE PLANS
  6. FOR SECTIONS B-B & C-C SEE BRIDGE SHEET BR26



**ABUTMENT NO. 2 ELEVATION**



<b>STATE OF VERMONT AGENCY OF TRANSPORTATION</b>			
Town Of	BERKSHIRE	Bridge No.	26
Highway No.	VT. ROUTE 118	Log Sta.	
VT. ROUTE 118 OVER TROUT RIVER			
ABUTMENT NO. 2 REINFORCING			
Designed By	S. JOHNSON	Drawn By	S. DELIA
Checked By	S. JOHNSON	Bridge Design Supervisor	
Date	02/00	Date	
PROJECT	BERKSHIRE	PROJECT NO.	BRF-RS 0283(7)
I.G.C. Info.	ys\914562\z184ar2.dgn	I.P.A.R.M.zf184ar2.j	
Bridge Sheet No.	BR25	Sheet	64 of 140