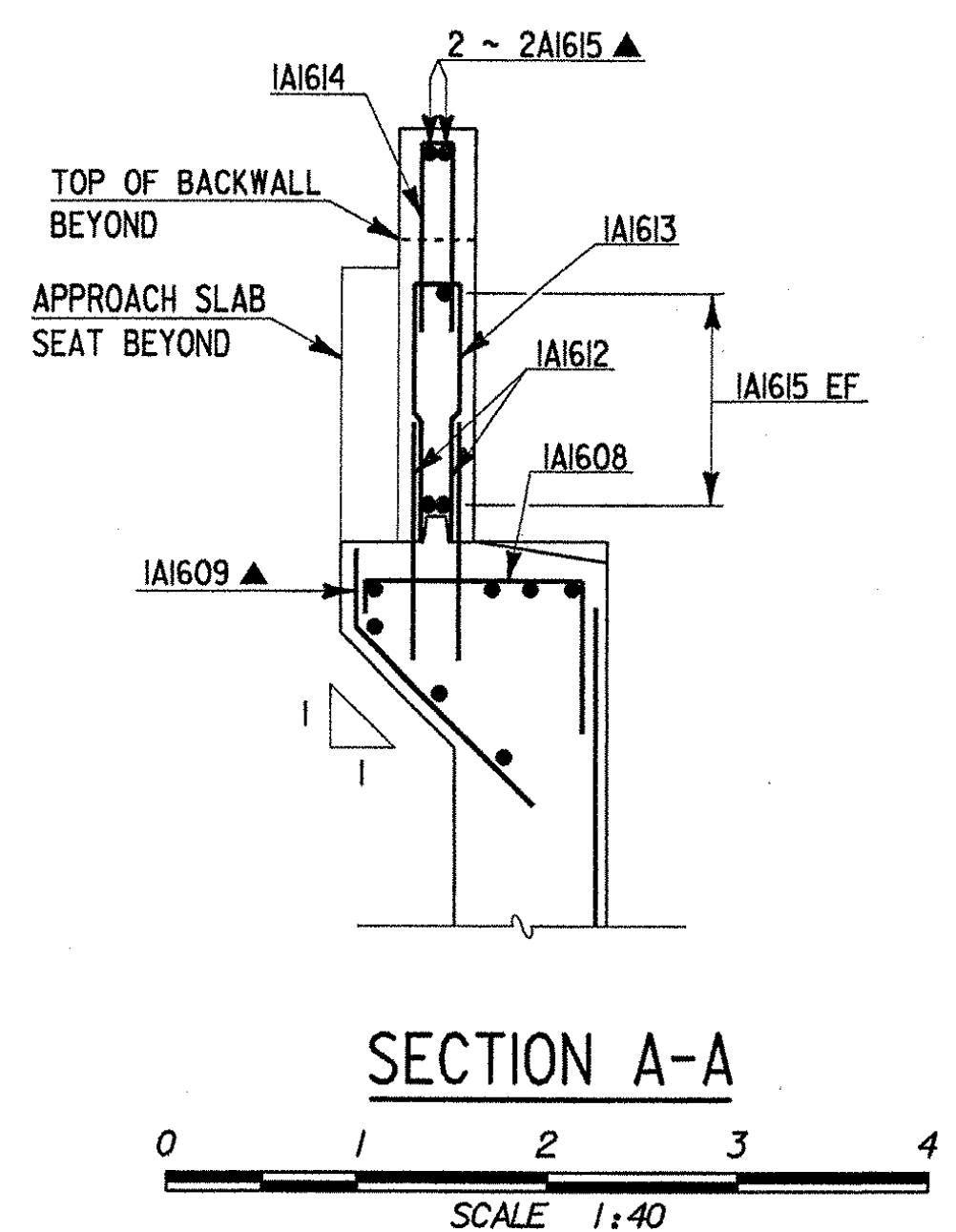
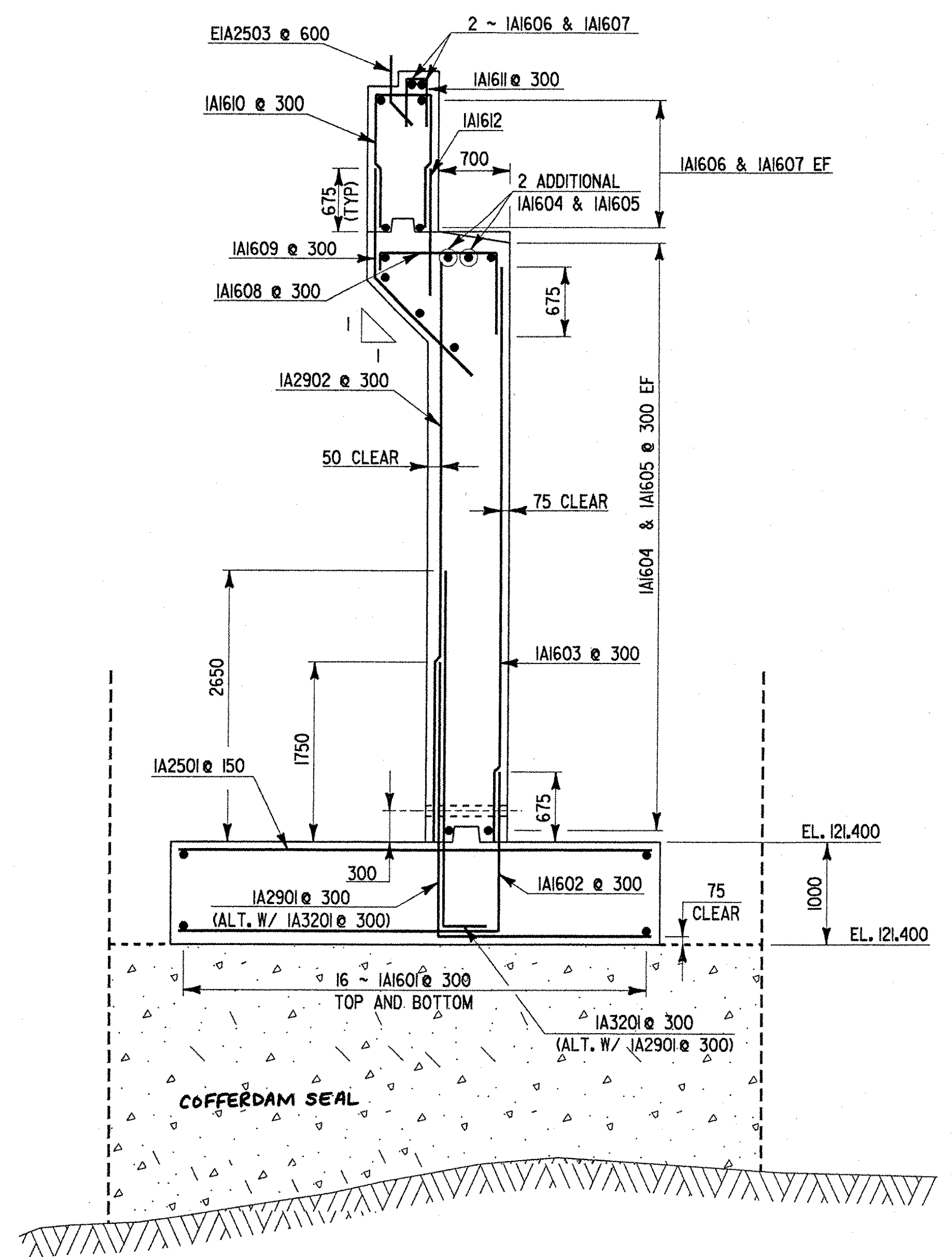
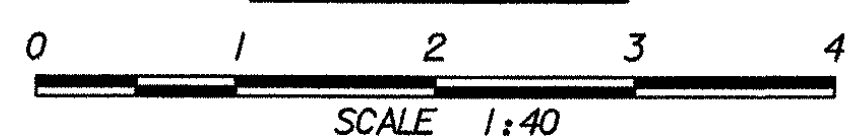


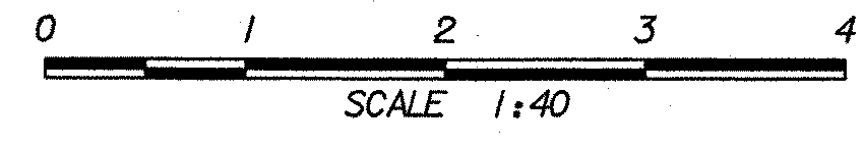
ABUTMENT NO. 1 BACKWALL ELEVATION



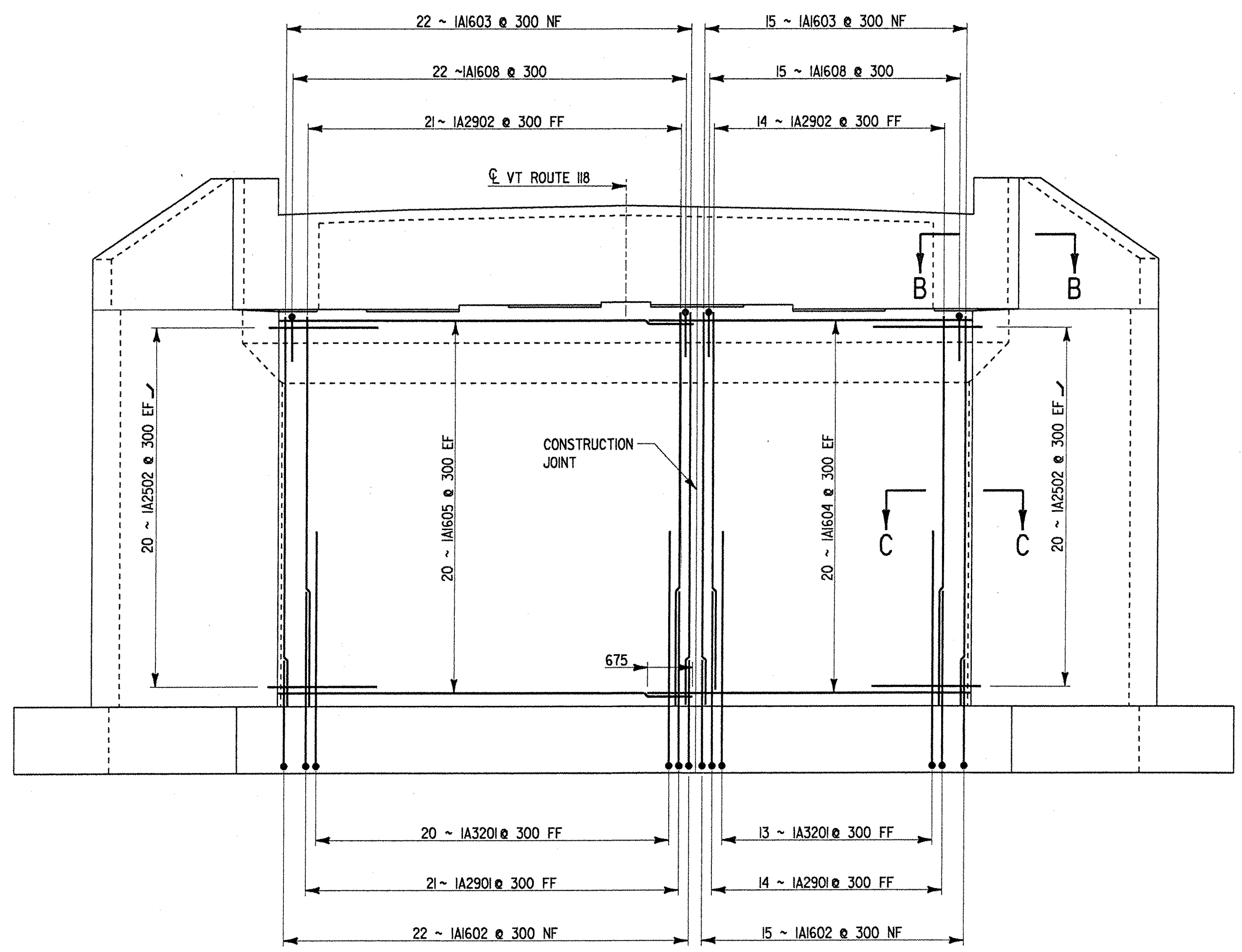
SECTION A-A



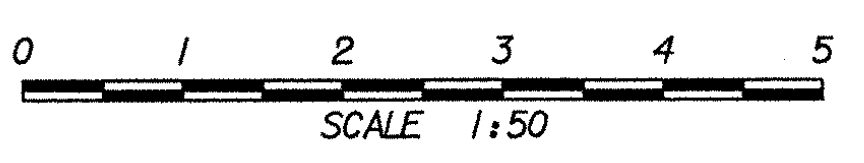
ABUTMENT NO. 1 TYPICAL SECTION



- NOTES:**
1. FF = FAR FACE
  2. NF = NEAR FACE
  3. EF = EACH FACE
  4. ▲ = CUT TO FIT IN FIELD
  5. 75 CLEAR UNLESS OTHERWISE SPECIFIED ON THE PLANS
  6. FOR SECTIONS B-B & C-C SEE BRIDGE SHEET BR26



ABUTMENT NO. 1 ELEVATION



**STATE OF VERMONT  
AGENCY OF TRANSPORTATION**

Town Of	BERKSHIRE	Bridge No.	26
Highway No.	VT. ROUTE 118	Log Sta.	
		Surv. Sta.	
<b>VT. ROUTE 118 OVER TROUT RIVER ABUTMENT NO. 1 REINFORCING</b>			
Designed By	S. JOHNSON	Drawn By	S. DELIA
Checked By	S. JOHNSON	Date	02/00
		Bridge Design Supervisor	
		Date	
PROJECT	BERKSHIRE	PROJECT NO.	BRF-RS 0283(7)
I.G.C. Info.	y:\914562\2f184ar1.dgn	IPARMz184ar1J	
Bridge Sheet No.	BR23	Sheet	62 of 140