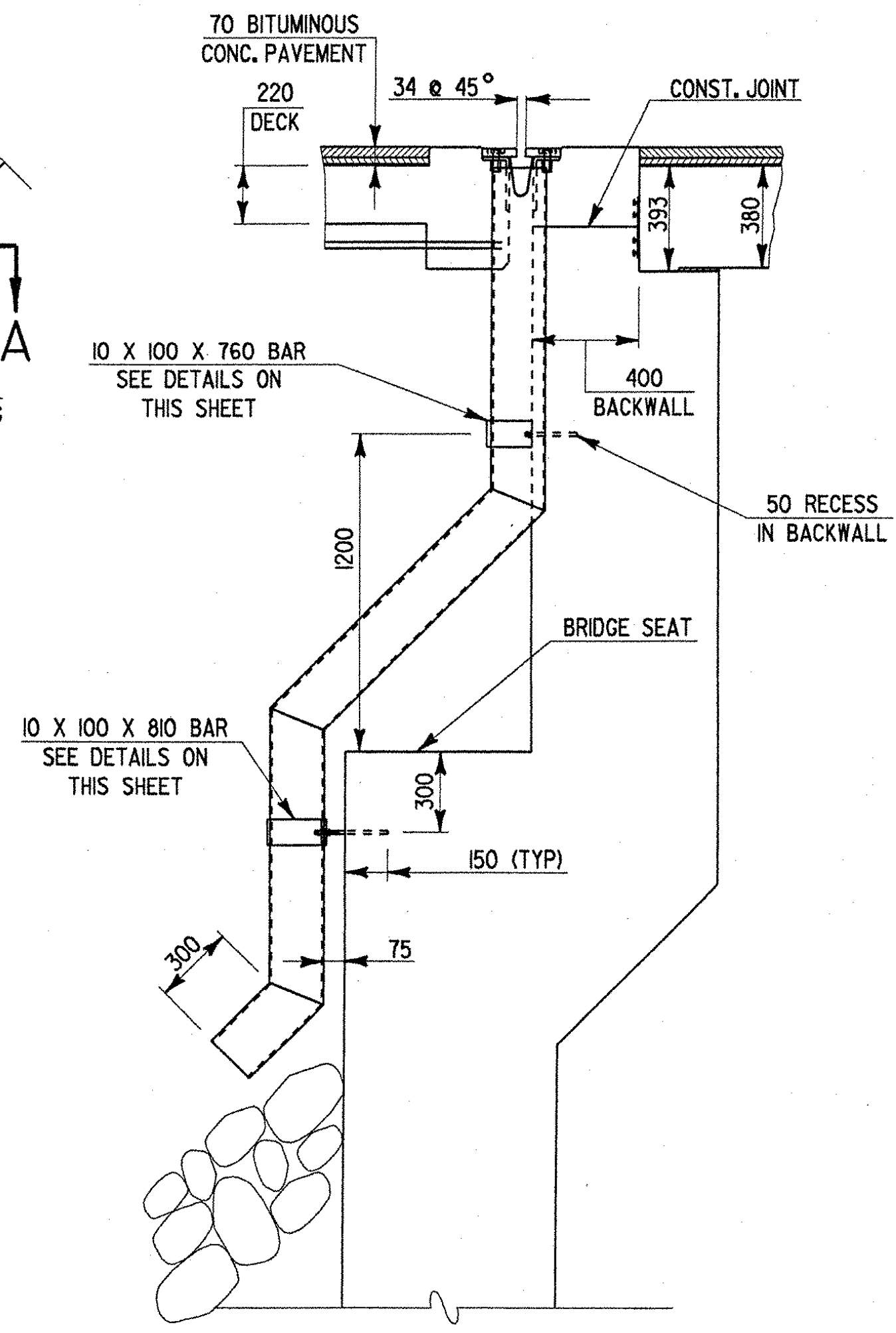
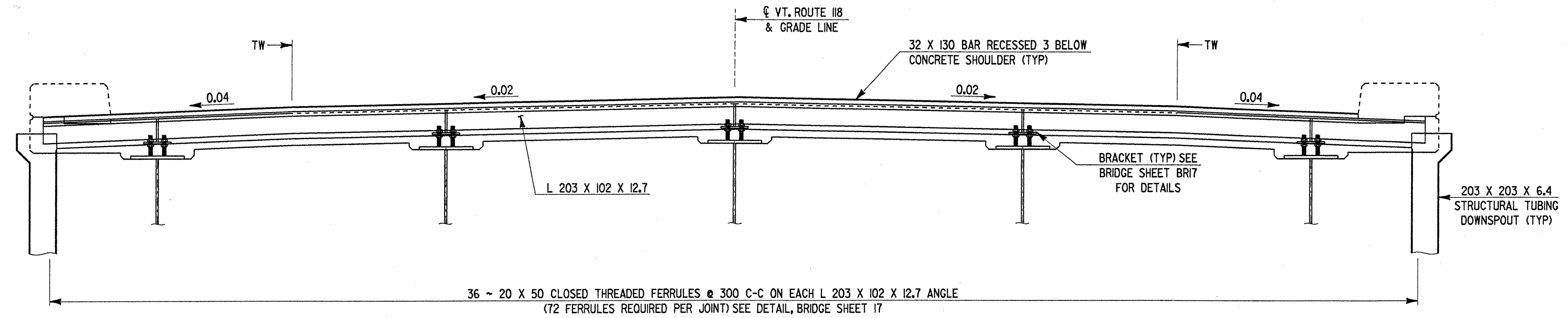
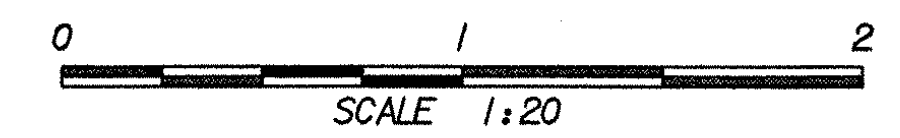


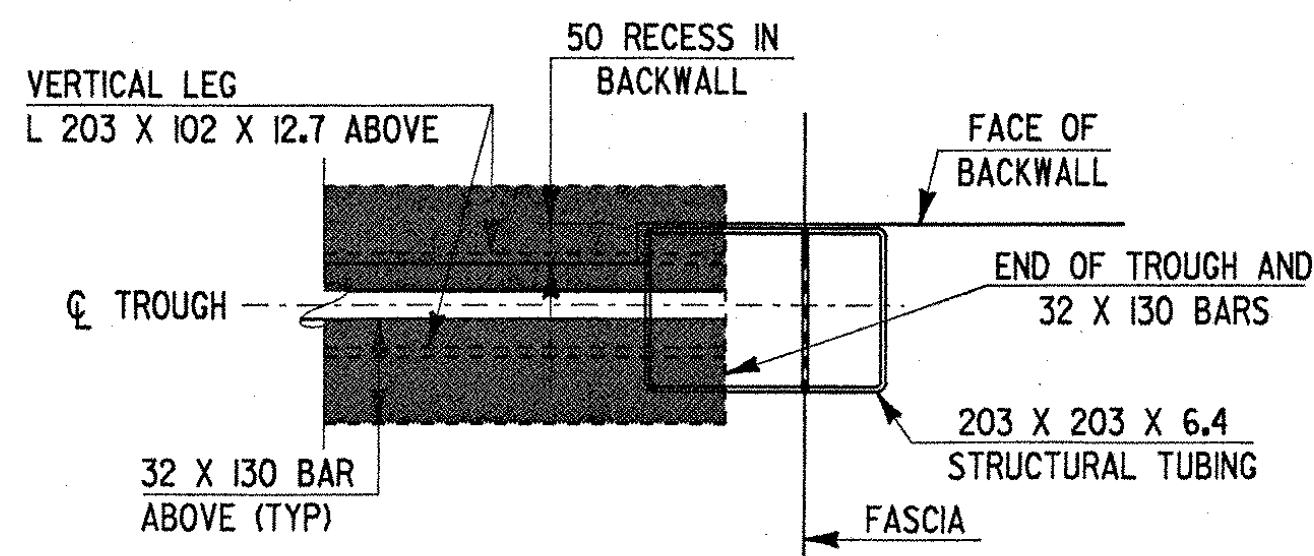
BRIDGE EXPANSION JOINT PLAN AT ABUTMENT NO. 2



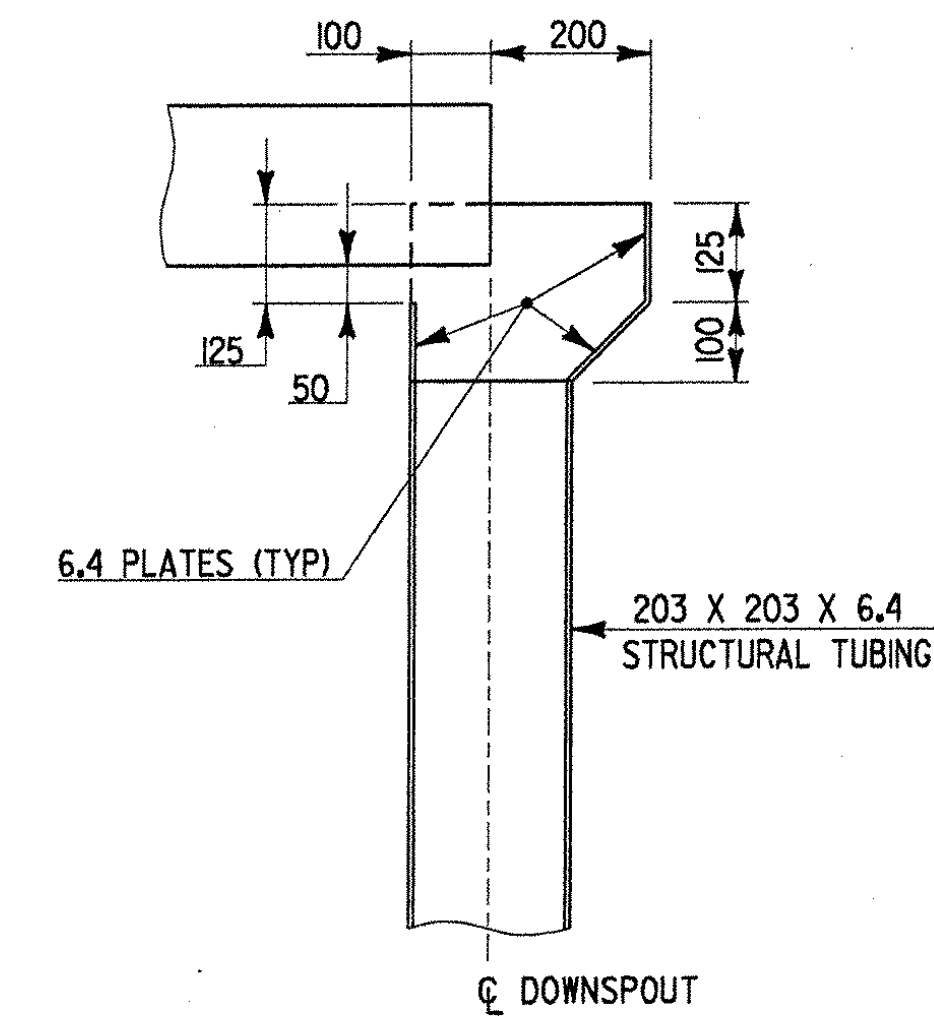
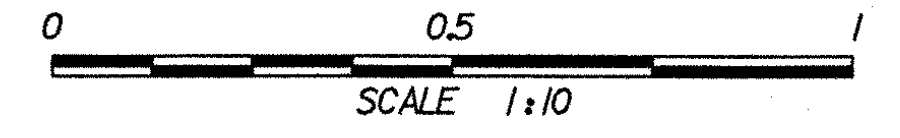
DOWNSPOUT DETAILS



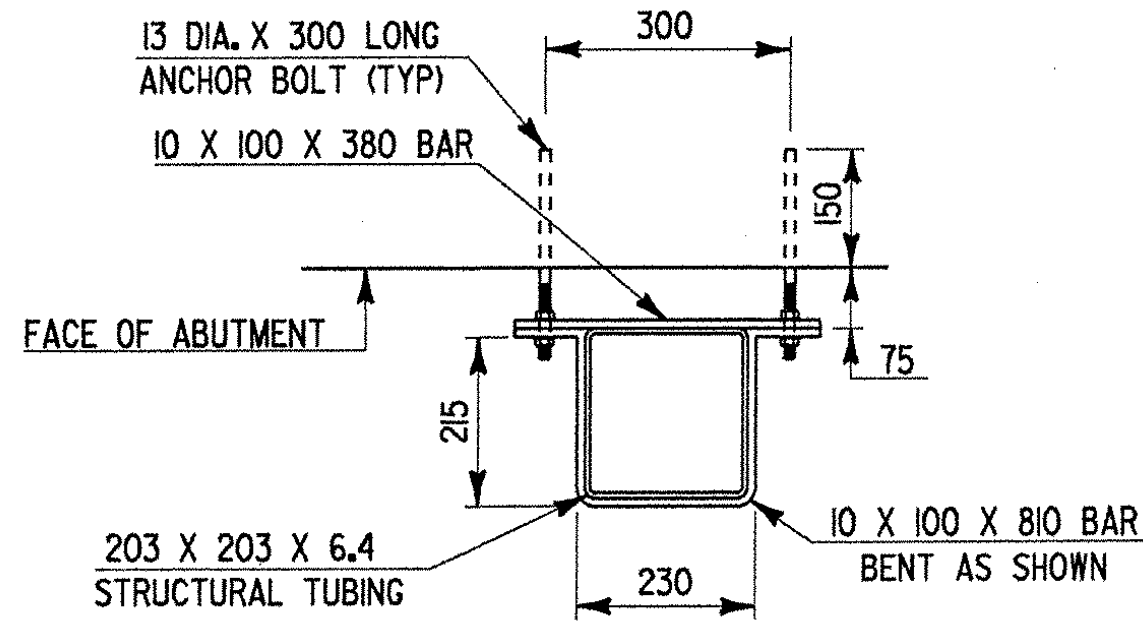
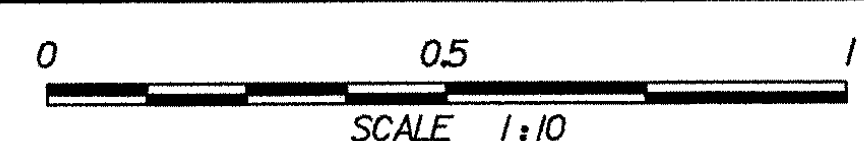
SECTION A-A



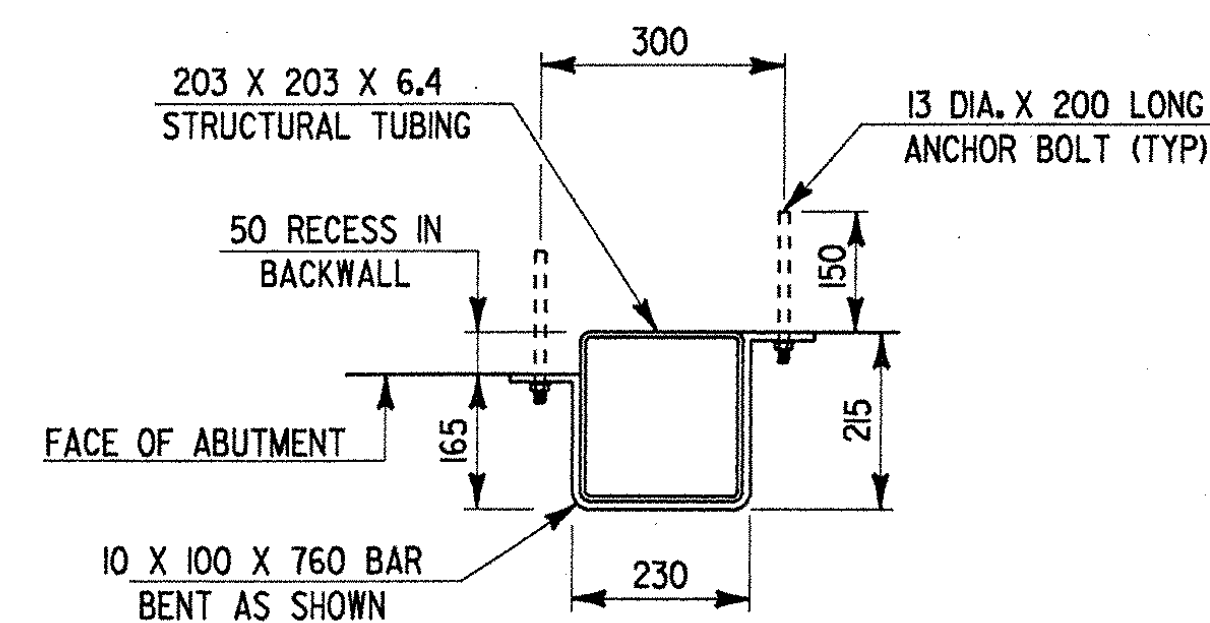
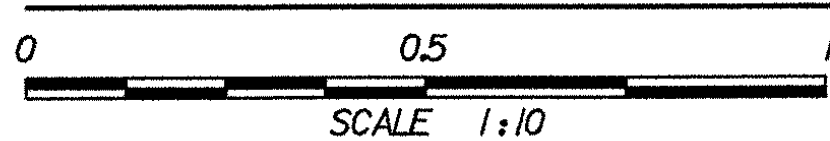
PLAN VIEW OF DECK BOXOUT FOR DOWNSPOUT



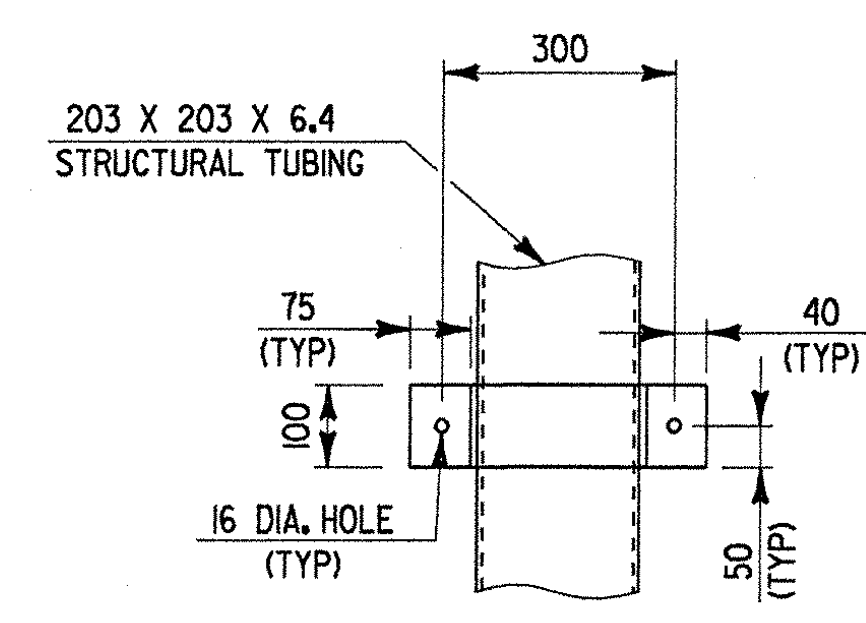
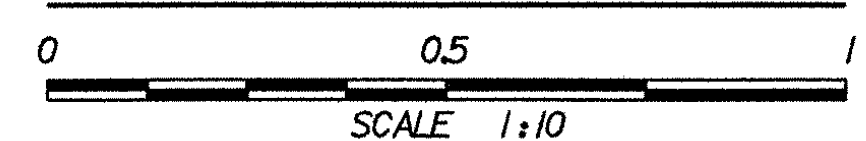
SECTION THROUGH DOWNSPOUT



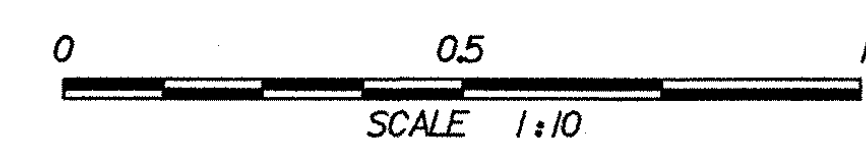
DETAIL FOR ATTACHING DOWNSPOUT TO ABUTMENT



DETAIL FOR ATTACHING DOWNSPOUT TO BACKWALL



ELEVATION VIEW



STATE OF VERMONT AGENCY OF TRANSPORTATION

Town Of	BERKSHIRE	Bridge No.	26
Highway No.	VT.ROUTE 118	Log Sta.	
VT.ROUTE 118 OVER TROUT RIVER			
EXPANSION JOINT DETAILS SHEET - 2			
Designed By	S.JOHNSON	Drawn By	S.DELIA
Checked By	S.JOHNSON	Date	02/00
		Bridge Design Supervisor	
PROJECT	BERKSHIRE	PROJECT NO.	BRF-RS 0283(7)
I.G.C. Info. ys\914562\zf184\j42.dgn		IPARM:zf184\j42	
Bridge Sheet No.	BR18	Sheet	57 of 140