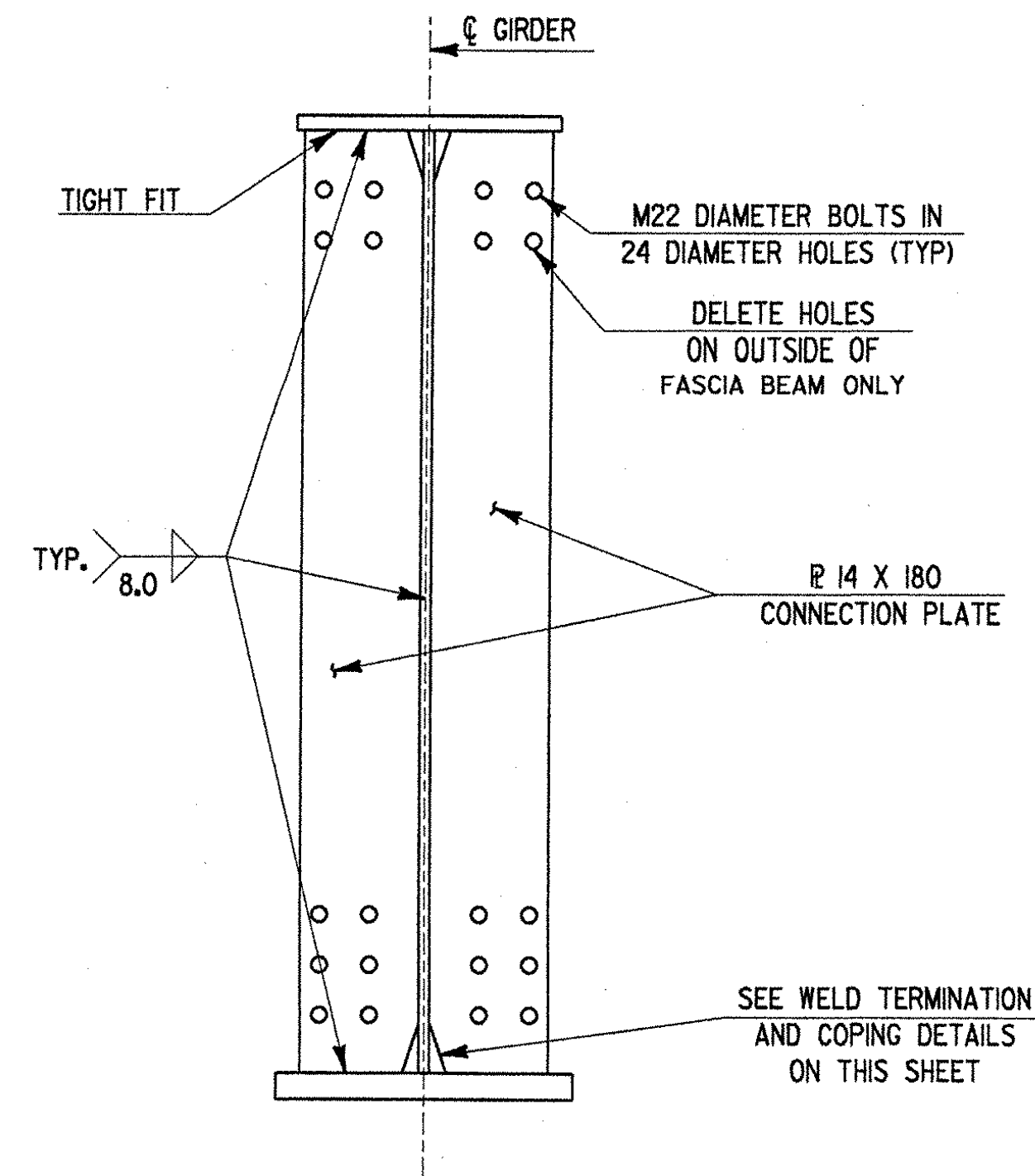
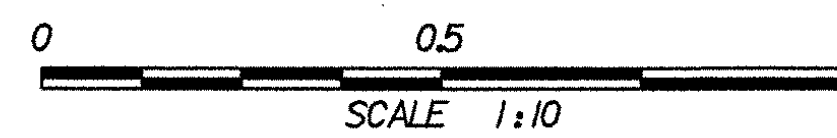
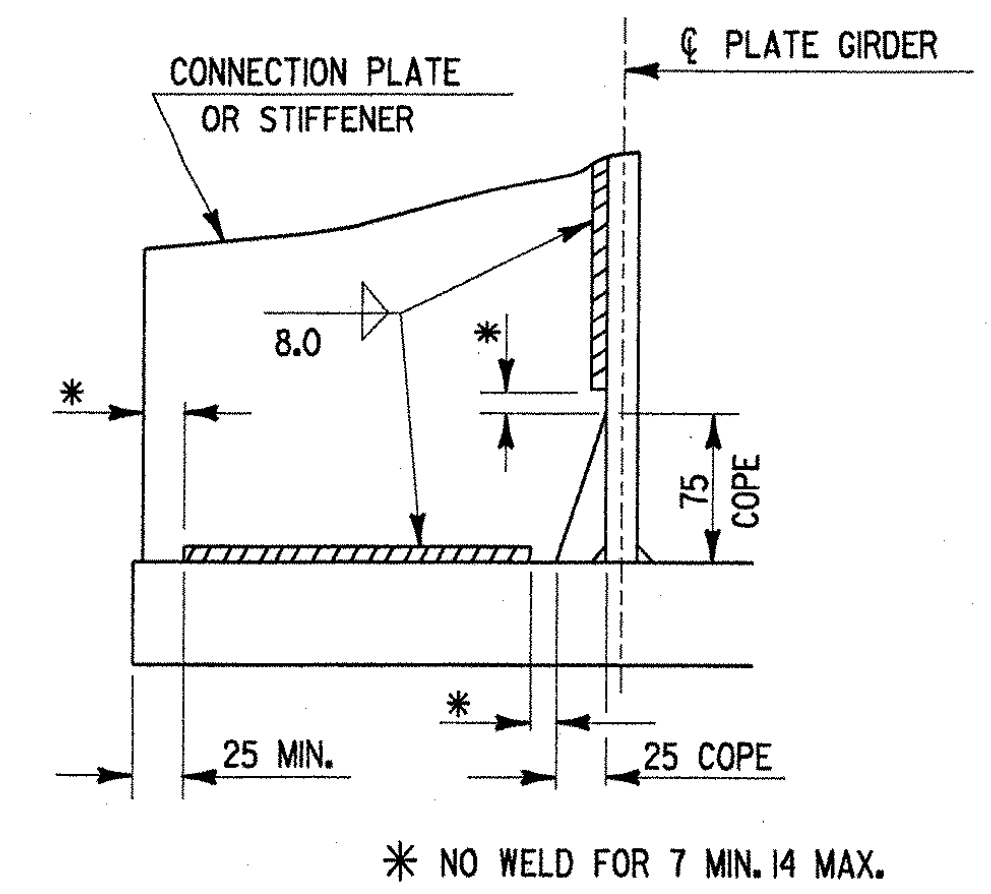
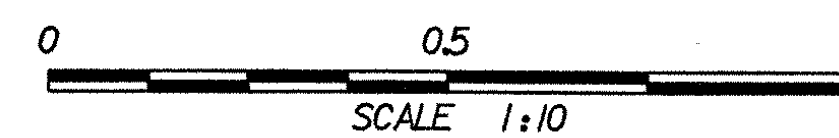


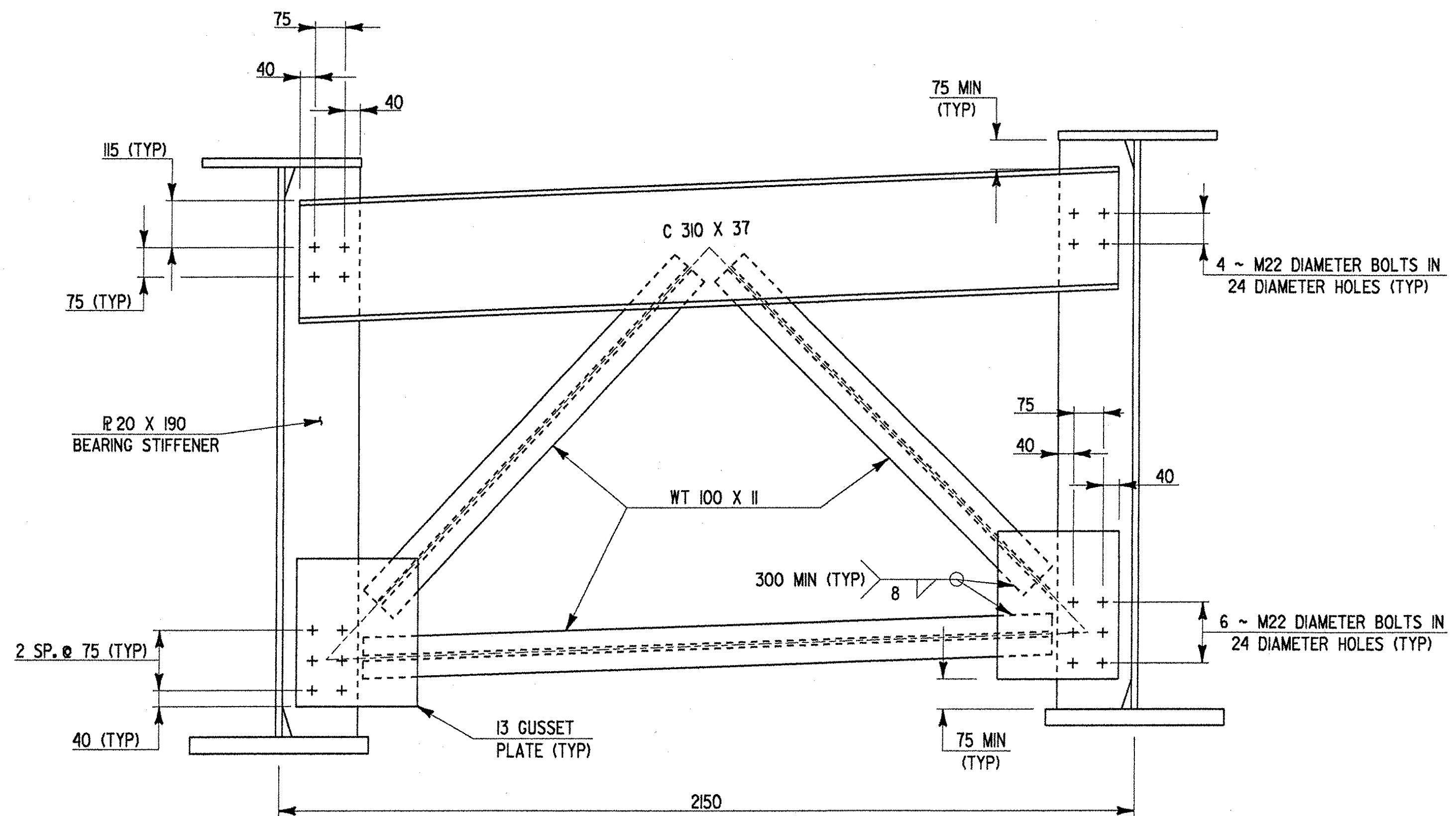
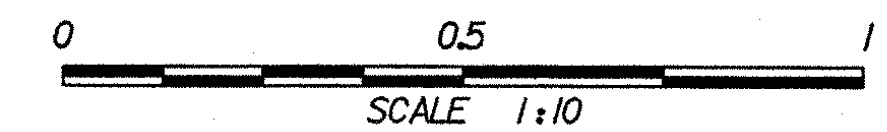
INTERMEDIATE CROSS FRAME  
CONNECTION PLATE DETAIL



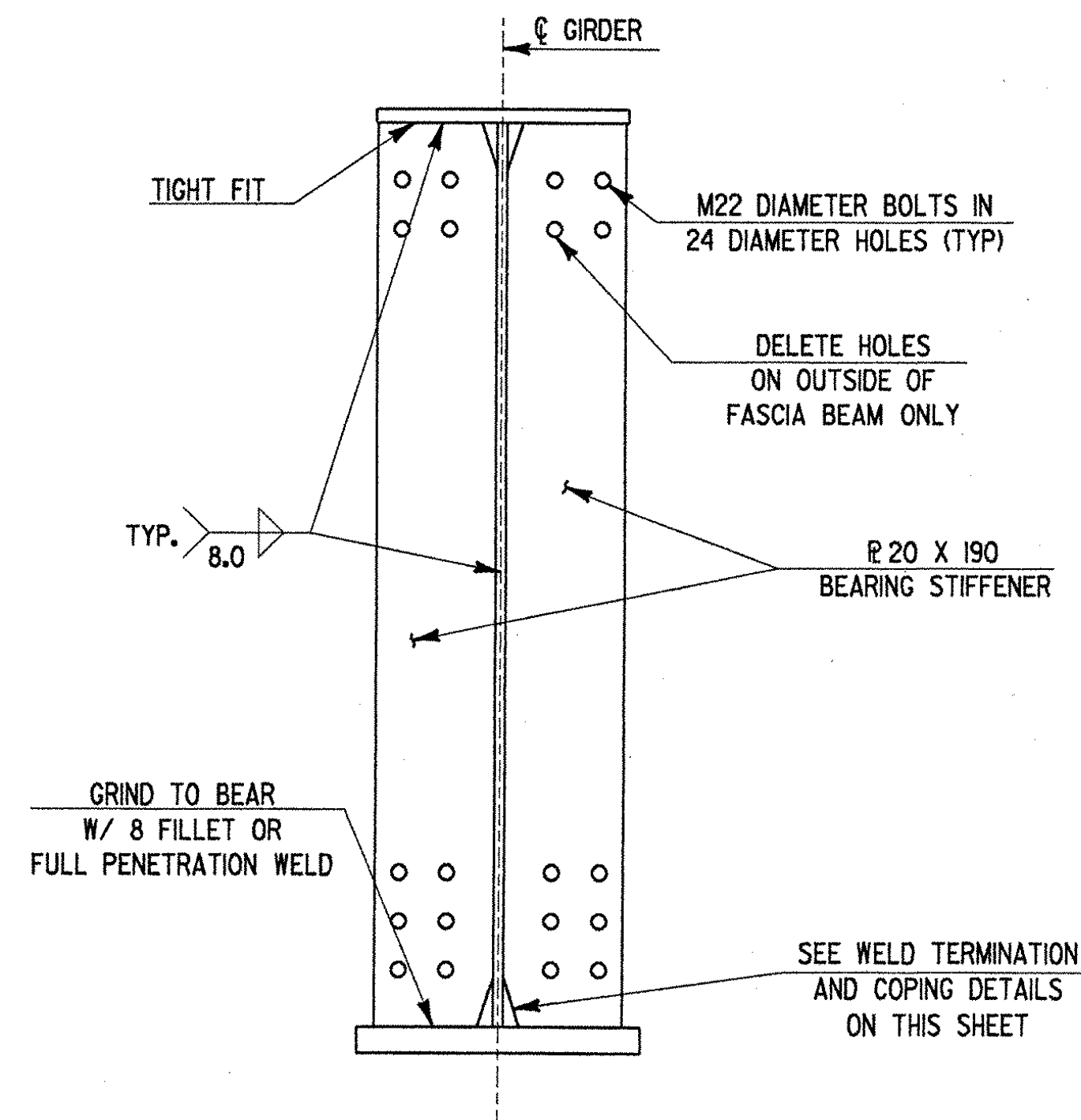
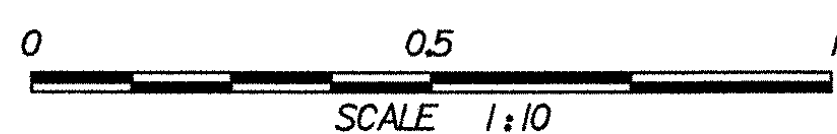
INTERMEDIATE CROSS FRAME  
CONNECTION PLATE DETAIL



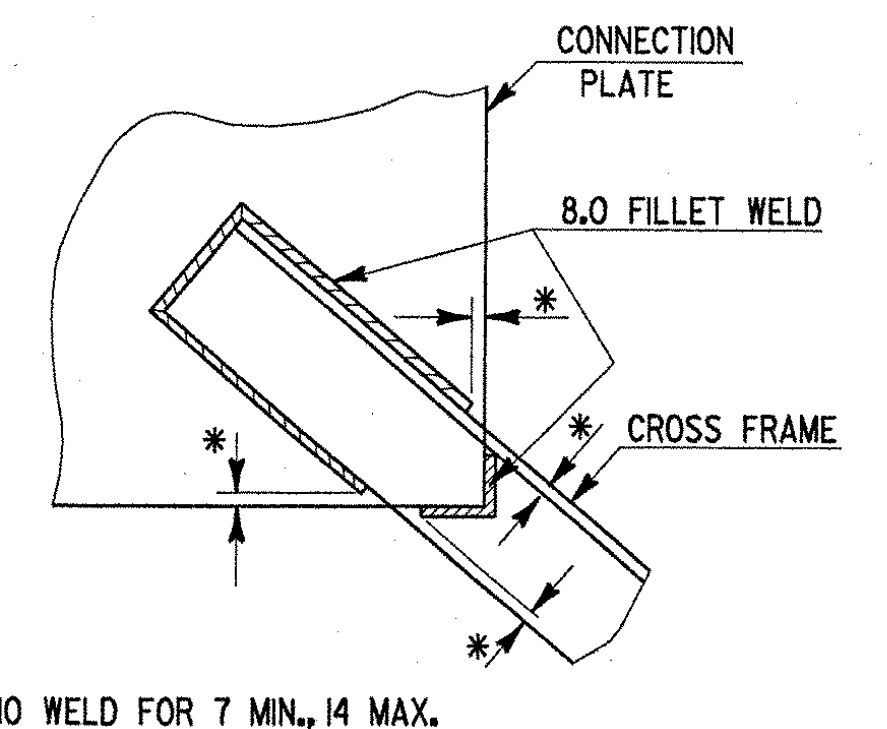
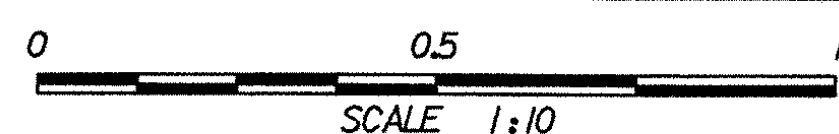
WELD TERMINATION AND COPING DETAILS  
FOR WELDED PLATE GIRDERS



ABUTMENT CROSS FRAME



BEARING STIFFENER &  
CONNECTION PLATE AT ABUTMENTS



WELD LOCATION DETAIL AT CROSS FRAMES

NOT TO SCALE

STATE OF VERMONT  
AGENCY OF TRANSPORTATION

Town Of	BERKSHIRE	Bridge No.	26
Highway No.	VT.ROUTE 118	Log Sta.	
		Surv. Sta.	
VT.ROUTE 118 OVER TROUT RIVER CROSS FRAME DETAILS			
Designed By	S.JOHNSON	Drawn By	S.DELIA
Checked By	Date	Bridge Design Supervisor	
S.JOHNSON	02/00		Date
PROJECT	BERKSHIRE	PROJECT NO.	BRF-RS 0283(7)
I.G.C. Info.	y:\914562\z1184cdt.dgn		I\PARM\z1184cdt.dgn
Bridge Sheet No.	BRI4	Sheet	53 of 140