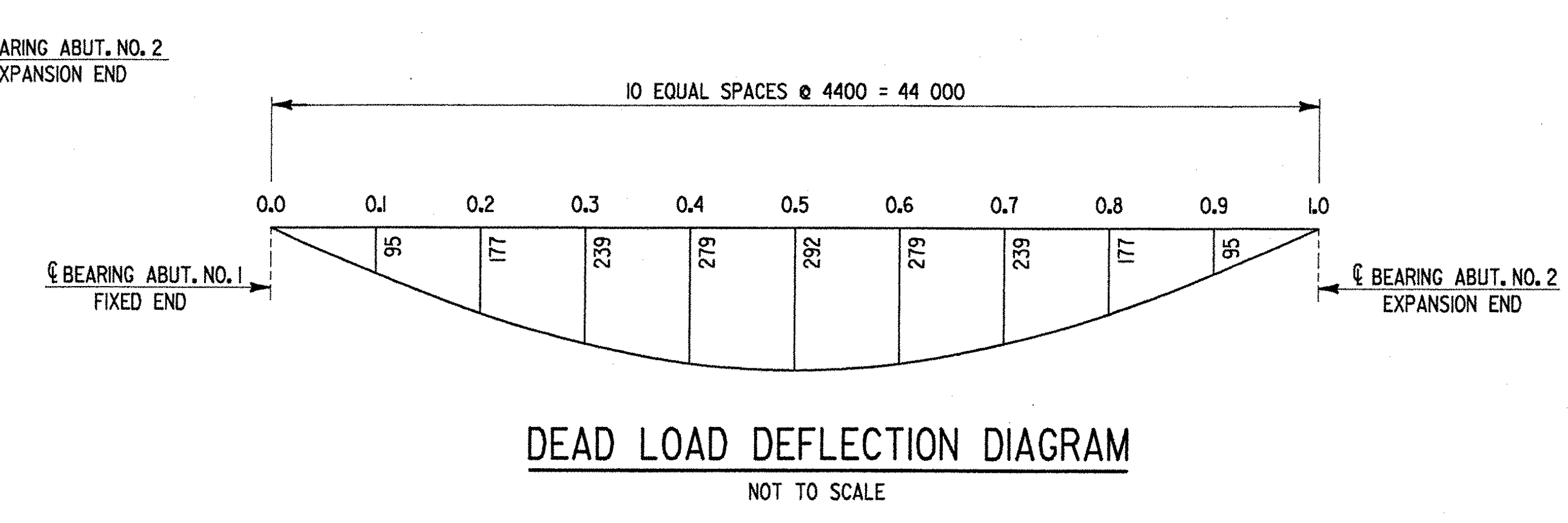
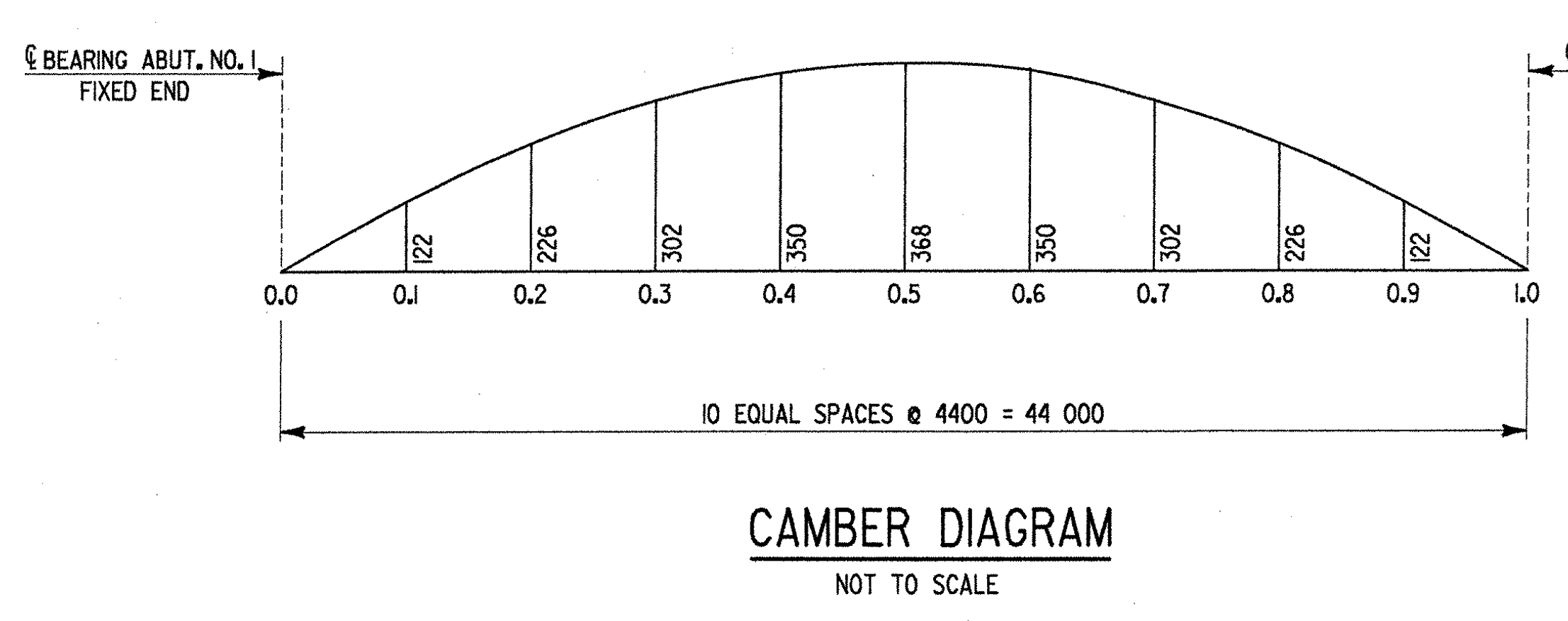
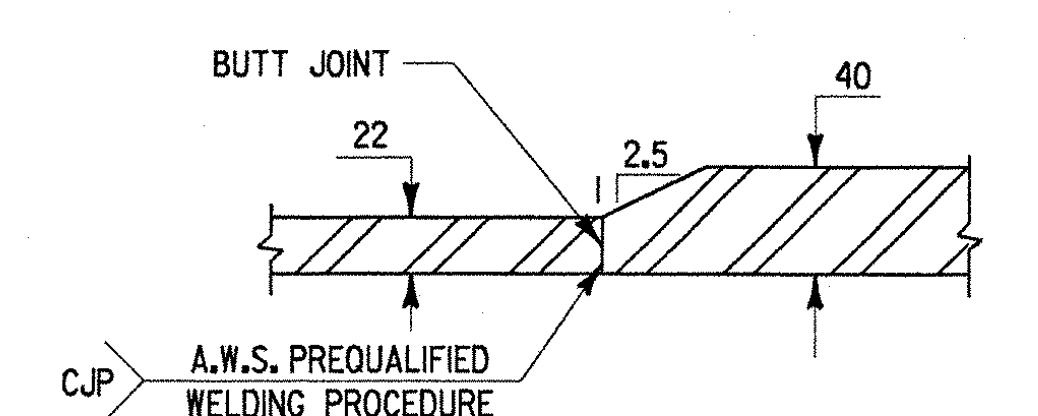
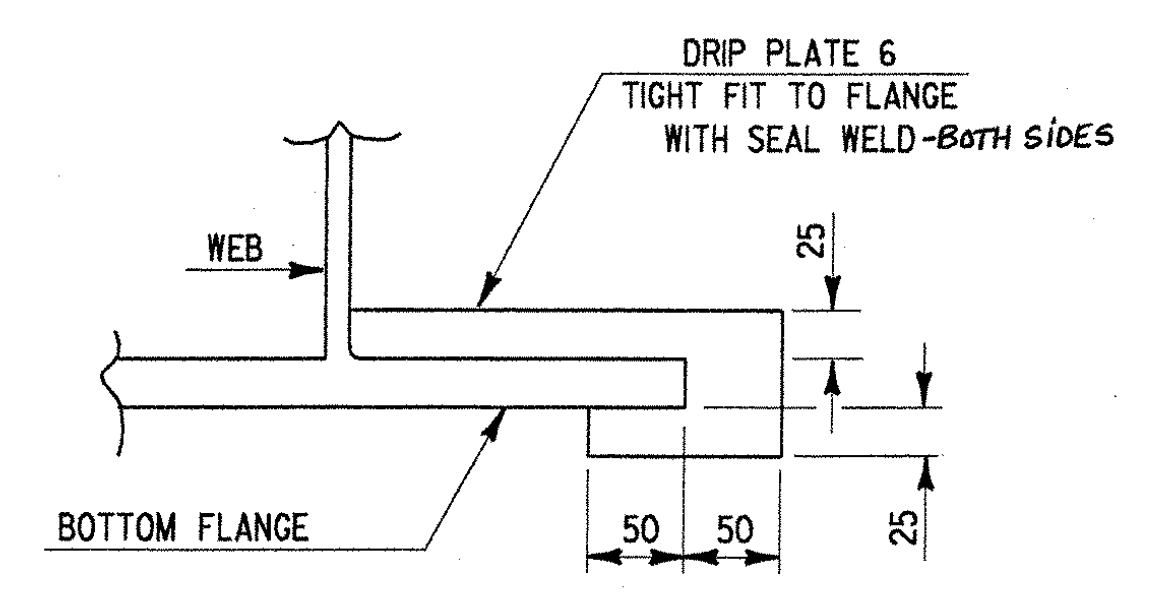
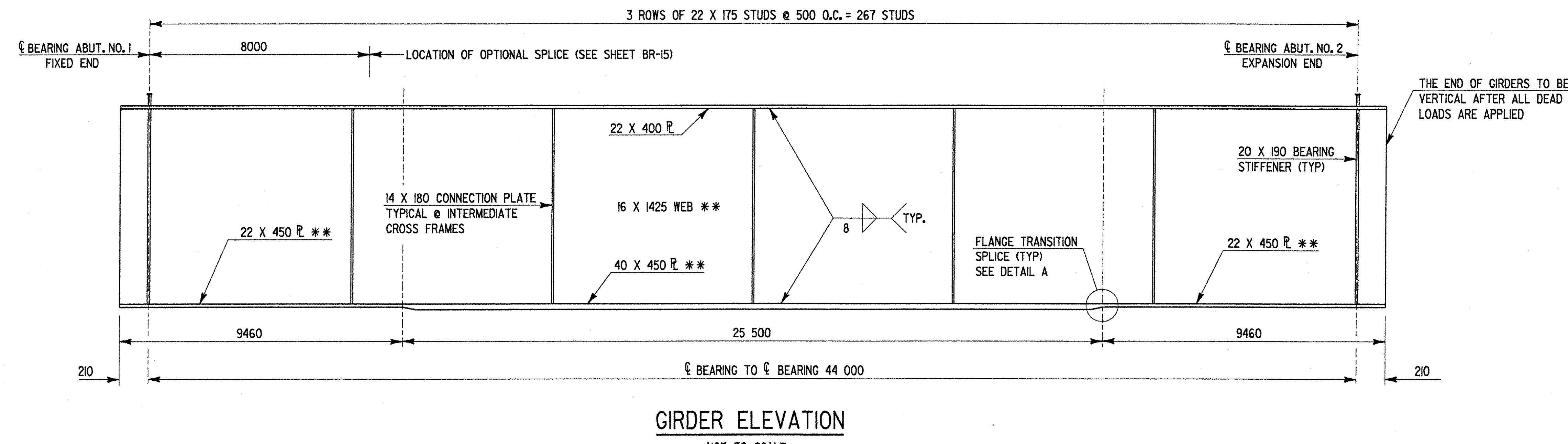


NOTE: DRIP PLATES SHALL BE PLACED ON OUTSIDE EDGE OF FASCIA GIRDERS ON THE HIGH SIDE OF ALL PIERS AND ABUTMENTS OR AS INDICATED ON PROJECT PLANS.



NOTE: CAMBER DIAGRAM INCLUDES CAMBER FOR DEAD LOAD AND THE VERTICAL CURVE

NOTE: DEAD LOAD DEFLECTIONS SHOWN ARE FOR ALL DEAD LOADS AND SUPERIMPOSED DEAD LOADS (INCLUDING GIRDERS & CROSS-FRAMES)

<b>STATE OF VERMONT AGENCY OF TRANSPORTATION</b>	
Town Of <b>BERKSHIRE</b>	Bridge No. <b>26</b>
Highway No. <b>VT.ROUTE 118</b>	Log Sta. <b></b>
<b>VT.ROUTE 118 OVER TROUT RIVER FRAMING PLAN AND GIRDER ELEVATION</b>	
Designed By <b>S.JOHNSON</b>	Drawn By <b>S.DELIA</b>
Checked By <b>S.JOHNSON</b>	Date <b>02/00</b>
PROJECT NO. <b>BERKSHIRE</b>	
PROJECT NO. <b>BRF-RS 0283(7)</b>	
I.G.C. Info. <b>y:\914562\2f184f.pldgn</b>	
Bridge Sheet No. <b>BR13</b>	Sheet <b>52</b> of <b>140</b>