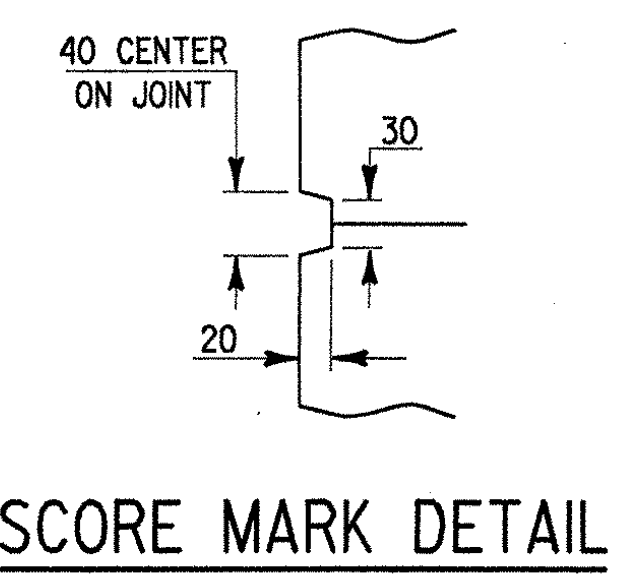
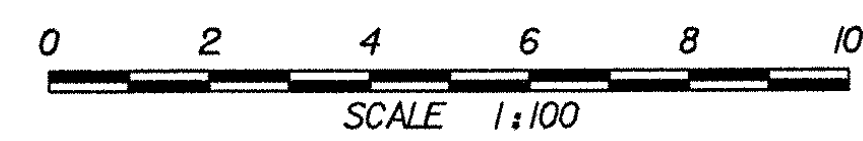
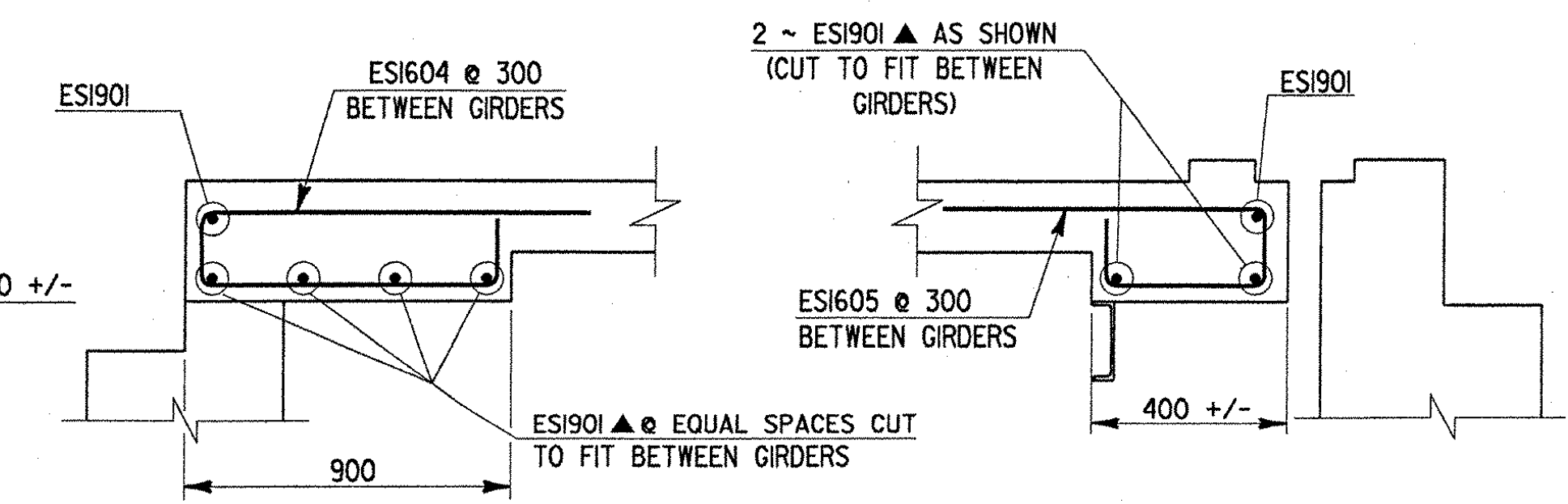
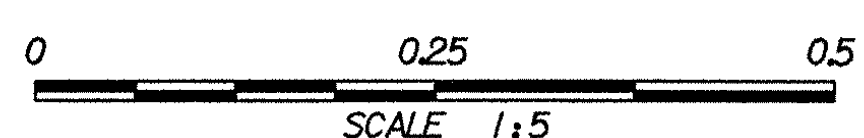


**PLAN VIEW**

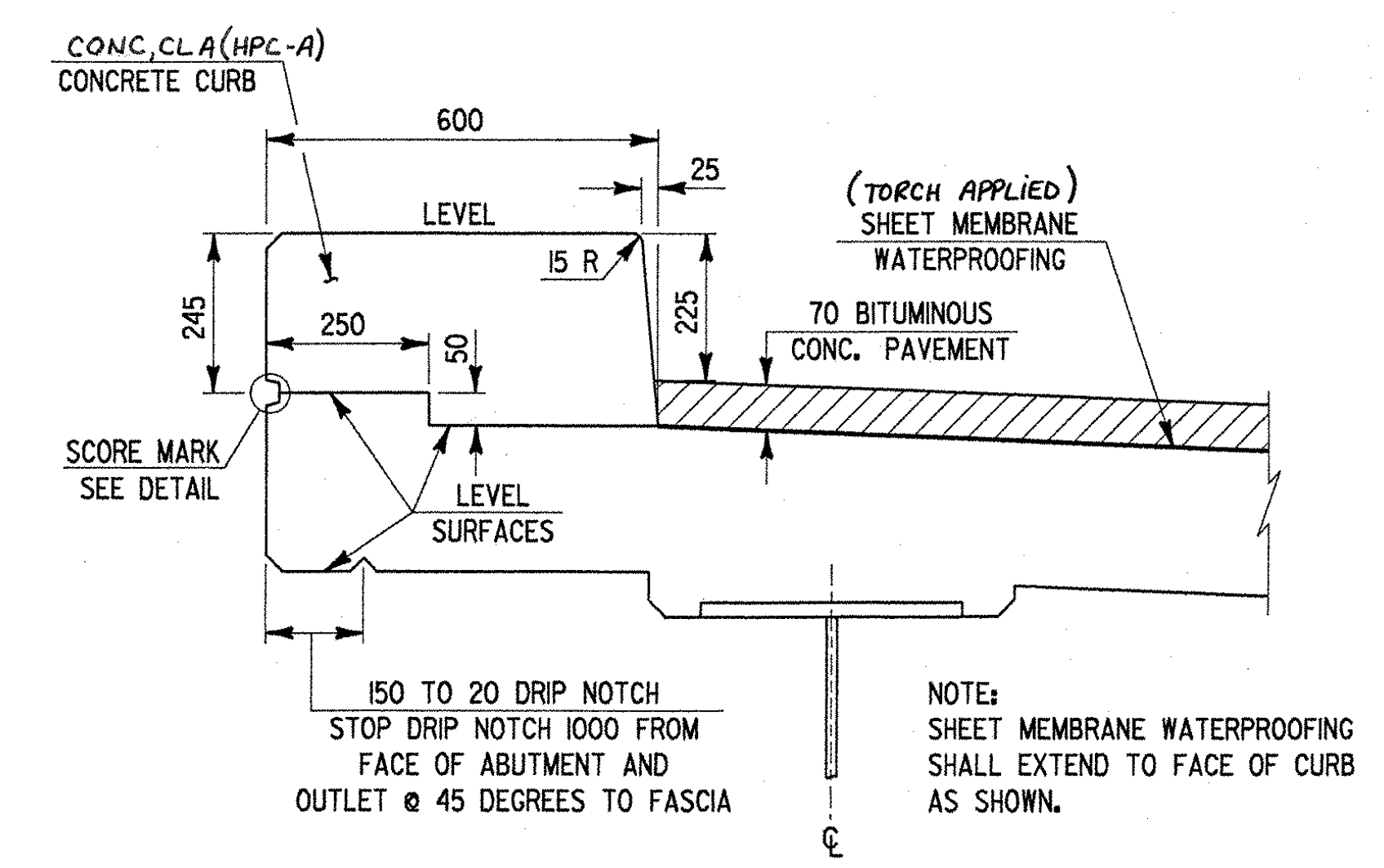


**SCORE MARK DETAIL**

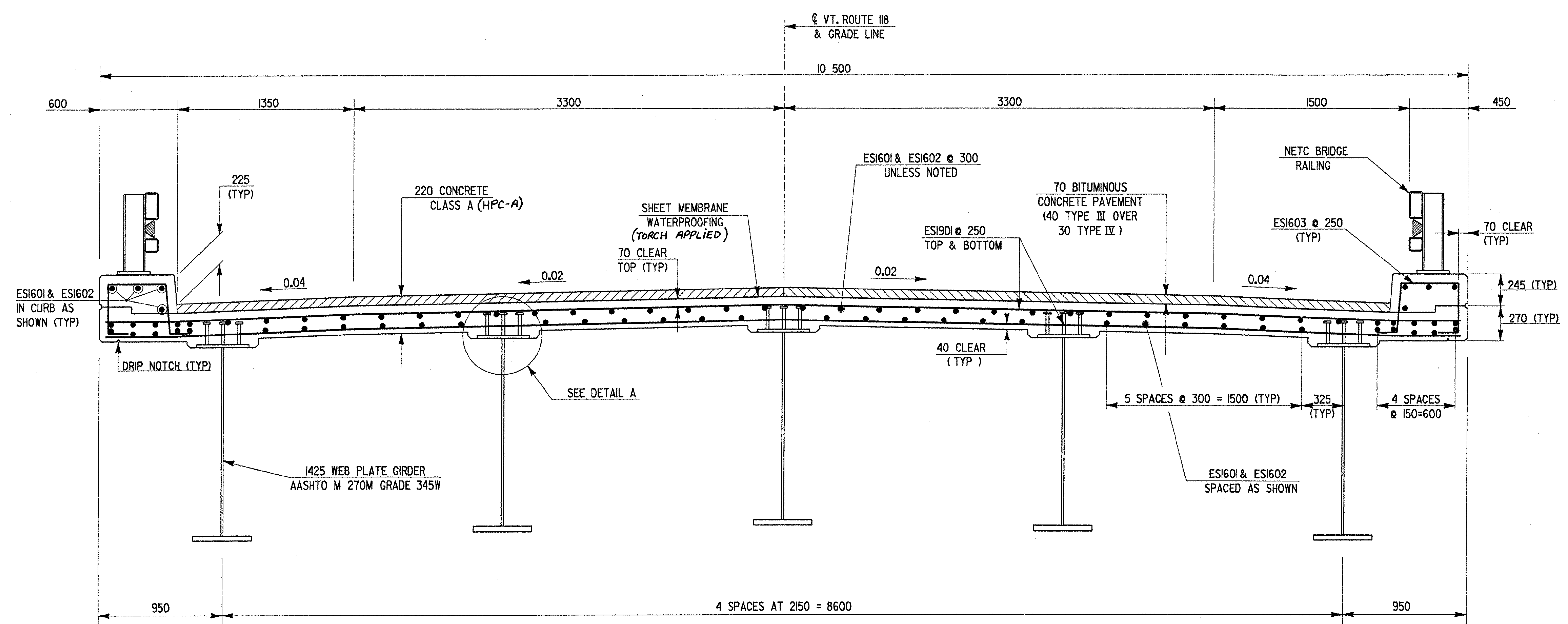
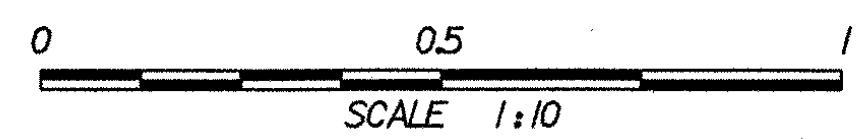


**SECTION A-A**  
NOT TO SCALE

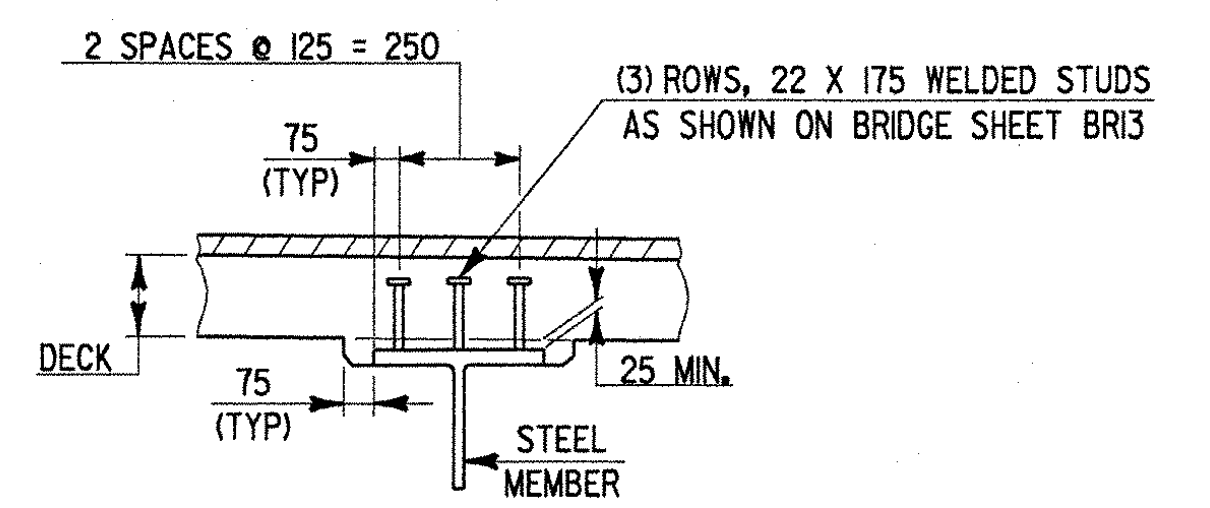
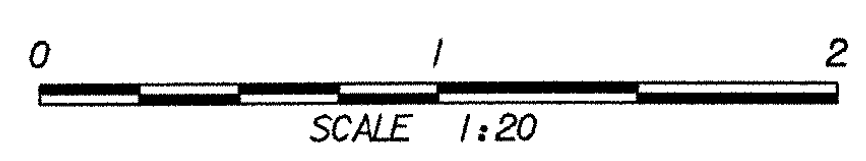
**SECTION B-B**  
NOT TO SCALE



**TYPICAL CURB SECTION**



**TYPICAL BRIDGE SECTION**



**DETAIL A**  
NOT TO SCALE

**NOTE:**  
NF = NEAR FACE  
FF = FAR FACE  
EF = EACH FACE  
▲ = CUT TO FIT IN FIELD  
75 CLR. UNLESS OTHERWISE SPECIFIED ON THE PLANS.

<b>STATE OF VERMONT AGENCY OF TRANSPORTATION</b>	
Town Of <b>BERKSHIRE</b>	Bridge No. <b>26</b>
Highway No. <b>VT.ROUTE 118</b>	Log Sta. <b>Surv. Sta.</b>
<b>VT.ROUTE 118 OVER TROUT RIVER</b>	
<b>TYPICAL SECTION AND DECK PLAN</b>	
Designed By <b>S.JOHNSON</b>	Drawn By <b>S.DELIA</b>
Checked By <b>S.JOHNSON</b>	Bridge Design Supervisor <b>Date</b>
PROJECT <b>BERKSHIRE</b>	PROJECT NO. <b>BRF-RS 0283(7)</b>
I.G.C. Info. <b>ys\914562\z1\184dty.dgn</b>	<b>IPARM:z1\184dty.dgn</b>
Bridge Sheet No. <b>BRI2</b>	Sheet <b>51</b> of <b>140</b>