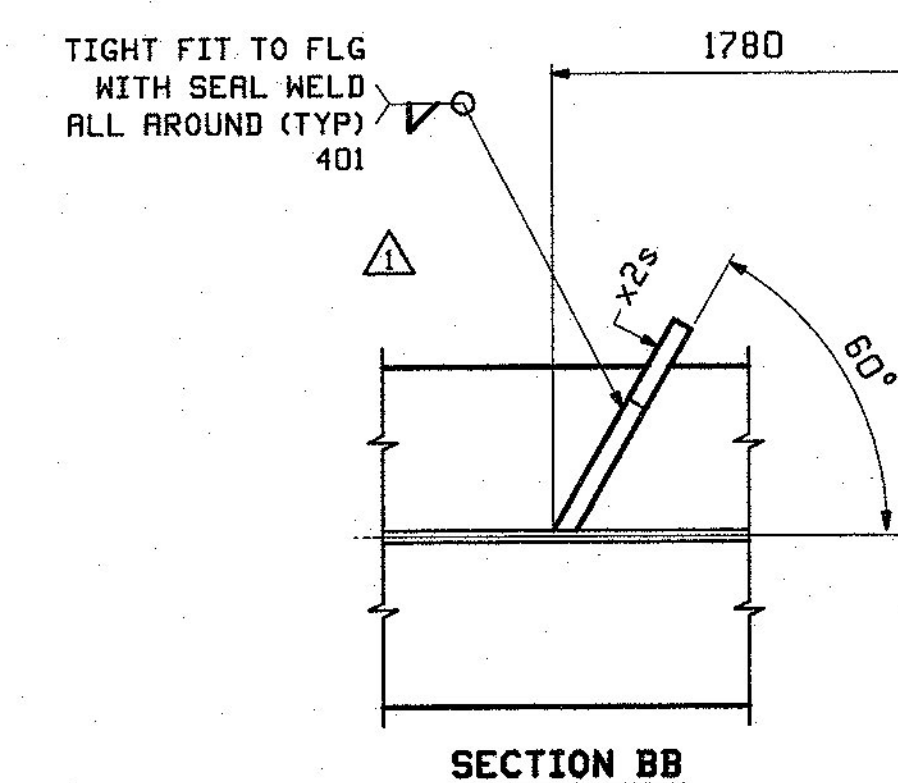
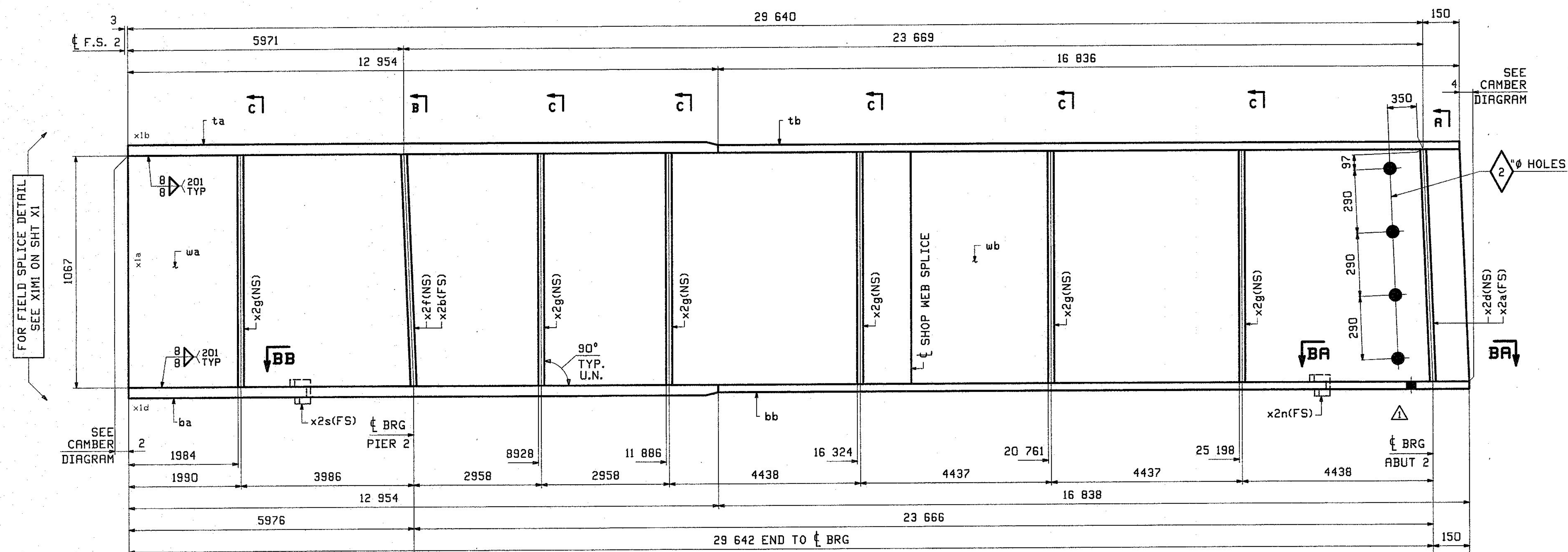
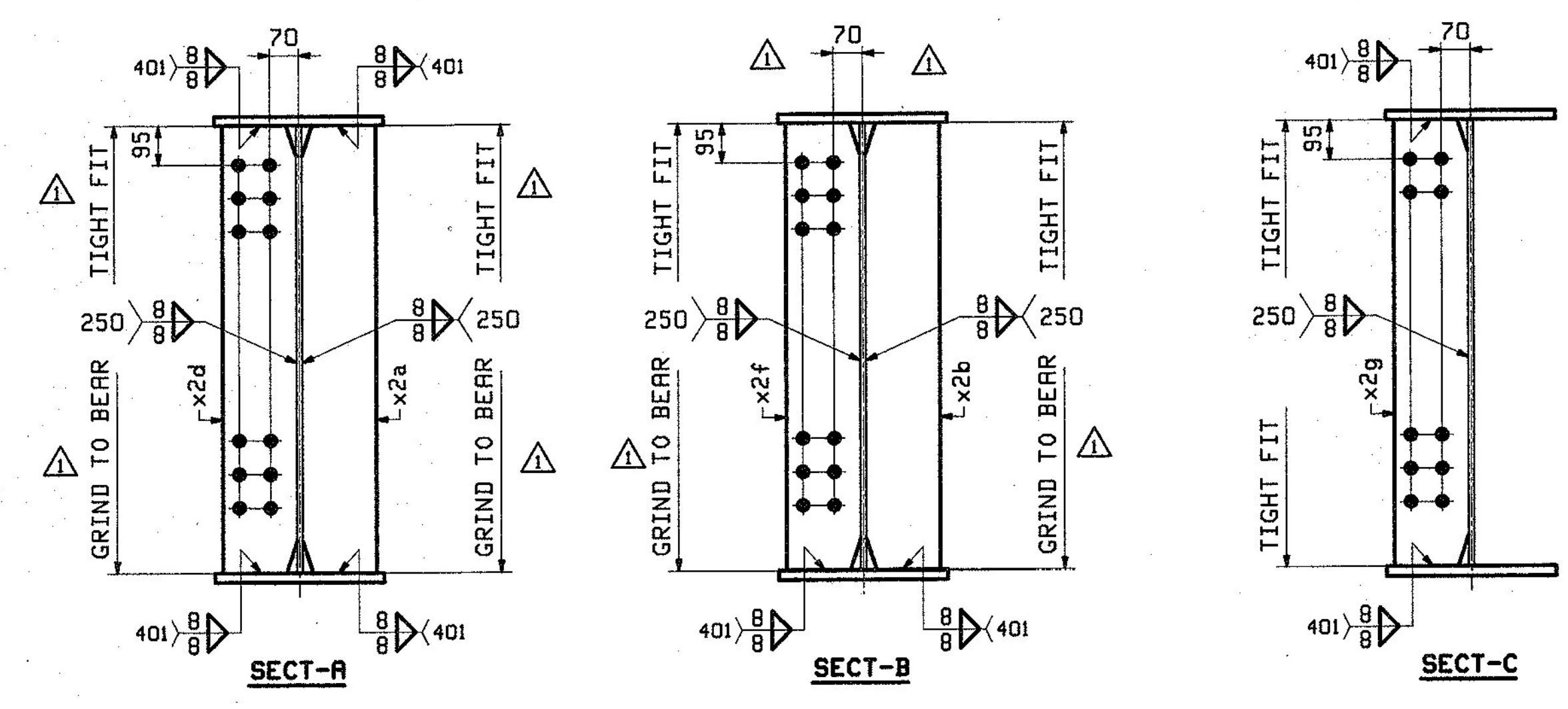
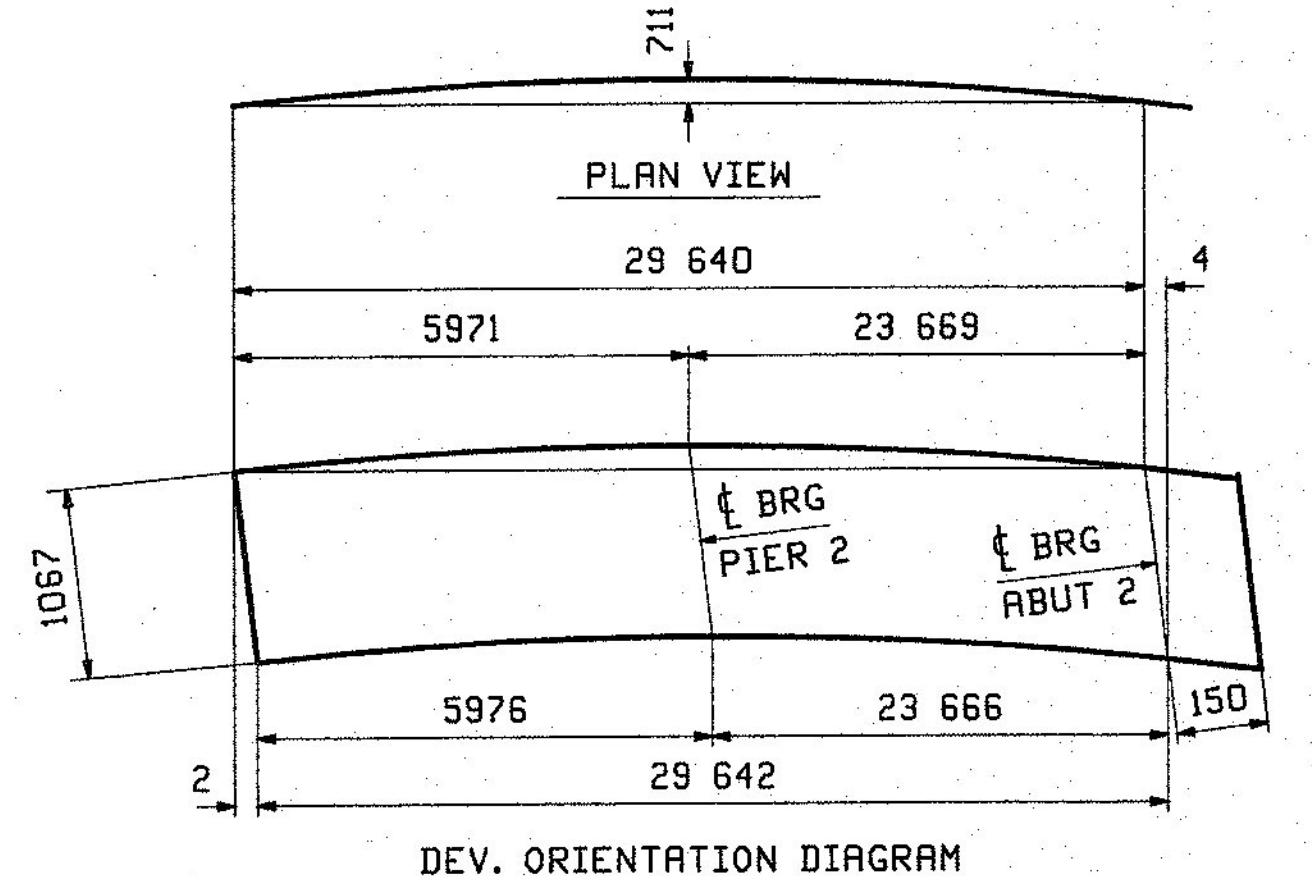
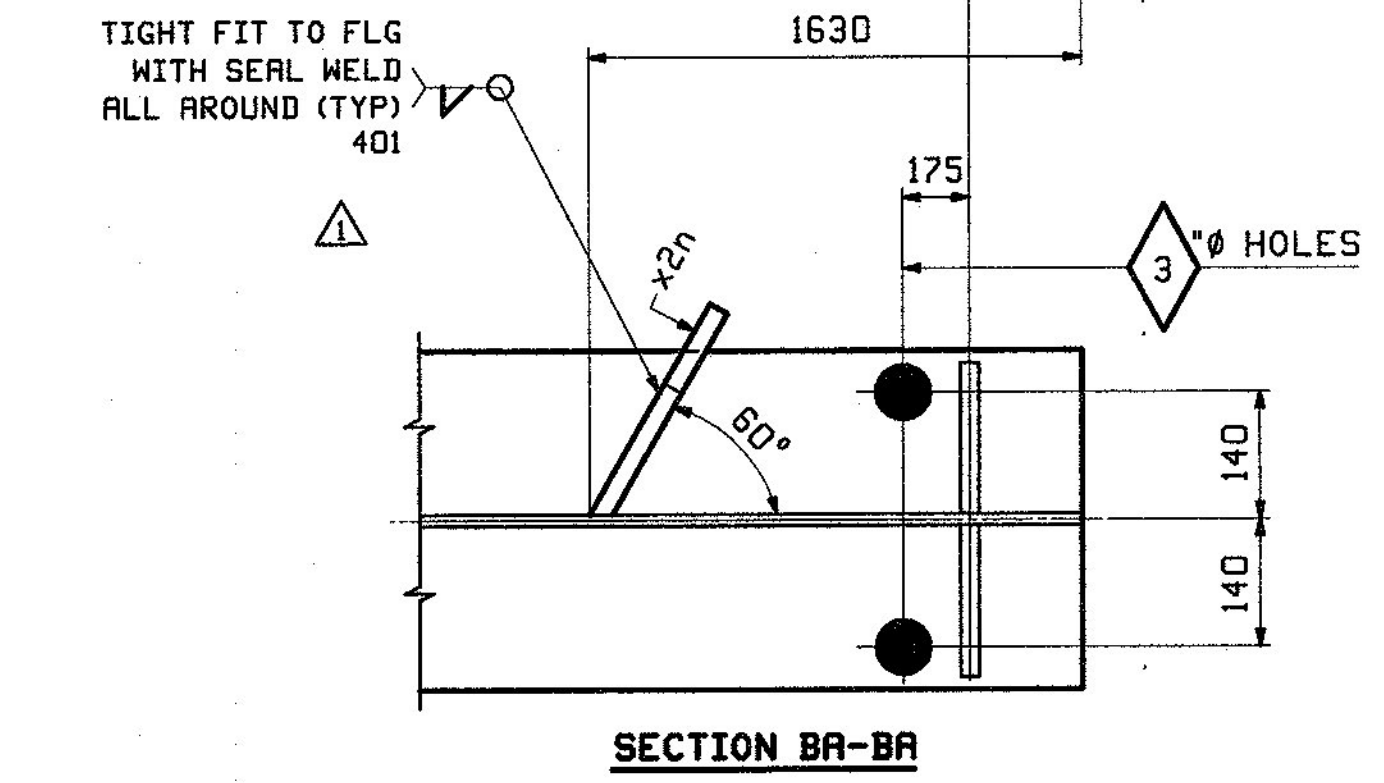


ABM INFO		SHIP	BILL OF MATERIAL				JOB NO.	DRAWING NO.	REV.
							524	9	△
PAGE	LINE	MARK	QTY	MARK	MATERIAL	LENGTH	REMARKS	WT	PROCUREMENT NOTES
						m			
		9G1C	1		GIRDER			8911 kg 8845 lb	
3	S	1	wa	PL	13x1067	18	M27DM-345HT2	1976 kg 4352 lb	
3	C	1	ub	PL	13x1067	11	M27DM-345HT2	1269 kg 2792 lb	
1	G	1	ta	PL	29x406	12	M27DM-345HT2	1197 kg 2640 lb	
2	A	1	tb	PL	22x406	16	M27DM-345HT2	1180 kg 2603 lb	
1	A	1	ba	PL	45x406	12	M27DM-345HT2	1658 kg 3658 lb	
2	A	1	bb	PL	22x406	16	M27DM-345HT2	1180 kg 2603 lb	
5	B	1	x2a	PL	22x178	1	M1E M27DM-345HT2	33 kg 72 lb	
5	B	1	x2b	PL	22x178	1	M1E M27DM-345HT2	33 kg 72 lb	
5	B	1	x2c	PL	22x178	1	M1E M27DM-345HT2	33 kg 72 lb	
5	B	1	x2f	PL	22x178	1	M1E M27DM-345HT2	33 kg 72 lb	
5	C	6	x2g	PL	13x178	1	M1E M27DM-345HT2	18 kg 43 lb	
5	D	1	x2n	PL	6x72	0	285	*** kg 0 lb	
5	D	1	x2s	PL	6x95	0	285	1 kg 3 lb	



ONE - GIRDER - 9G1C

FOR GIRDER STANDARD DETAILS SEE DRAWING X2.
 FOR FIELD SPLICE DETAIL SEE DRAWING XI.
 FOR WEB CUTTING DIAGRAM SEE DRAWING C2.
 FOR FLANGE DIAGRAM SEE DRAWING F2.
 FOR GENERAL NOTES SEE DRAWING GNI.
 FOR TYPICAL WELD TERMINATION DETAILS SEE DRAWING GNI.
 ALL STIFFENERS ARE NORMAL TO WEB.
 T2 DENOTES MATERIAL SUBJECT TO CHARTY V-NOTCH TESTING.



DEC 23 2012

12/18	APPROVAL COMMENTS	CRK	PCP	12/19/12		
REV.	DATE	REMARKS	DWN	CHK	APVL	SHOP
MATERIAL:		SURFACE PREP. & PAINT:		HOLES:		SHOP BOLTS:
M27DM-345W UN		SEE GNI		15/16 UN		NONE
DESCRIPTION: GIRDER 9G1C						
CASCO BAY STEEL STRUCTURES, INC.						
1 WALLACE AVE. PHONE (207) 780-6722						
SOUTH PORTLAND, ME 04106 FAX. (207) 780-6726						
STRUCTURE: VT ROUTE 108, BRIDGE #21				DRAWN:		DATE:
MAJOR COLLECTOR				CRK		10/09
TOWN OF CAMBRIDGE				CHKD:		DATE:
COUNTY OF LAMOILLE, VERMONT				PCP		10/16
LOCATION: CAMBRIDGE, VERMONT				JOB NO.		DWG NO.
PROJ NO. BRF 027-1(4)				524		9
CUSTOMER: A. L. ST. ONGE CONTRACTING						REV. △

PCP - Mod. Dec 18, 2012 10:33:51 AM - /casco/brb/027-1 Rev 1