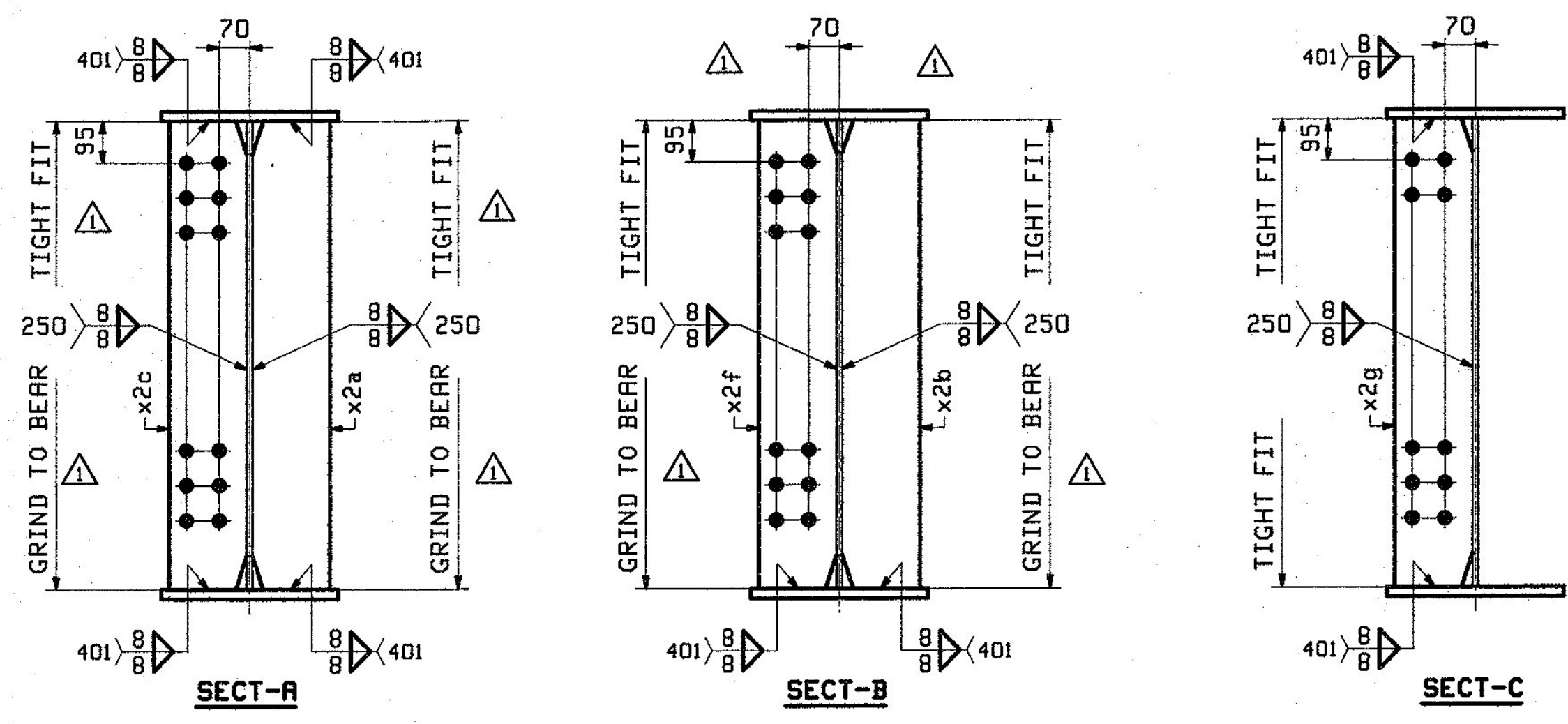
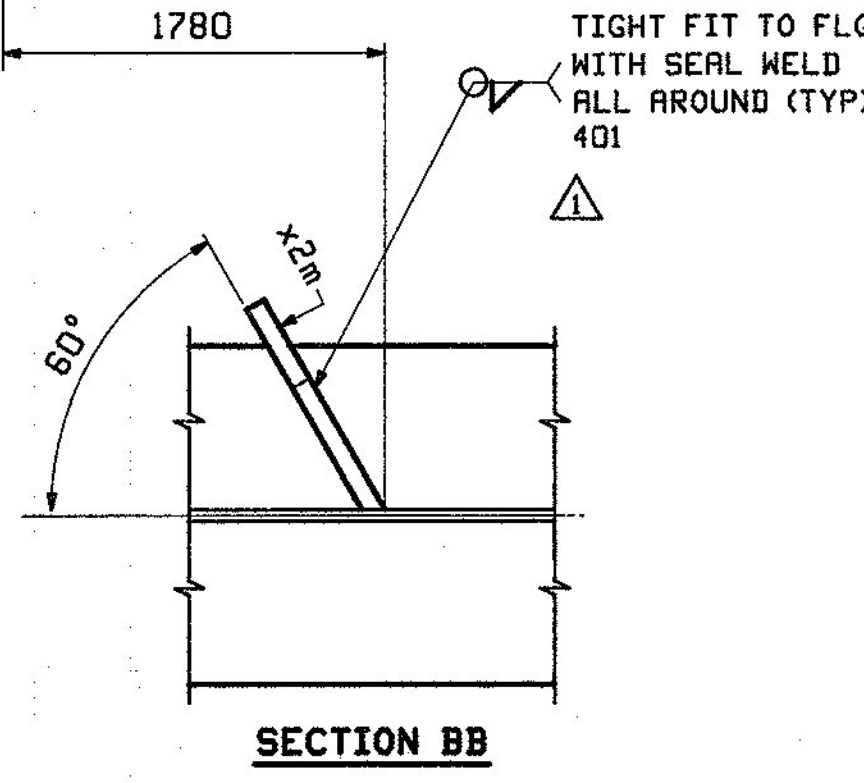
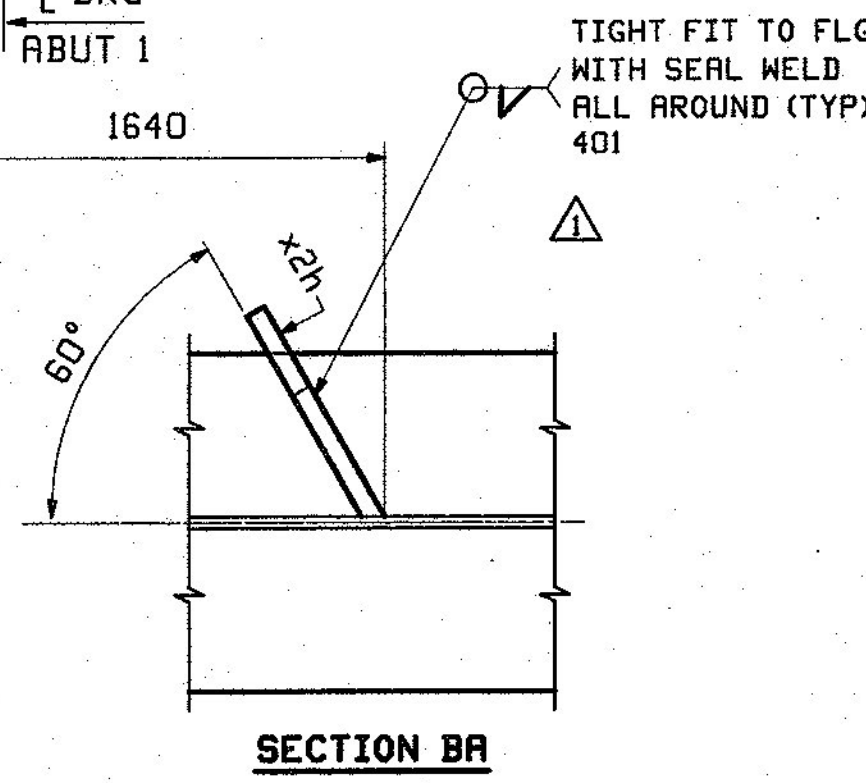


ONE - GIRDER - 1G1A

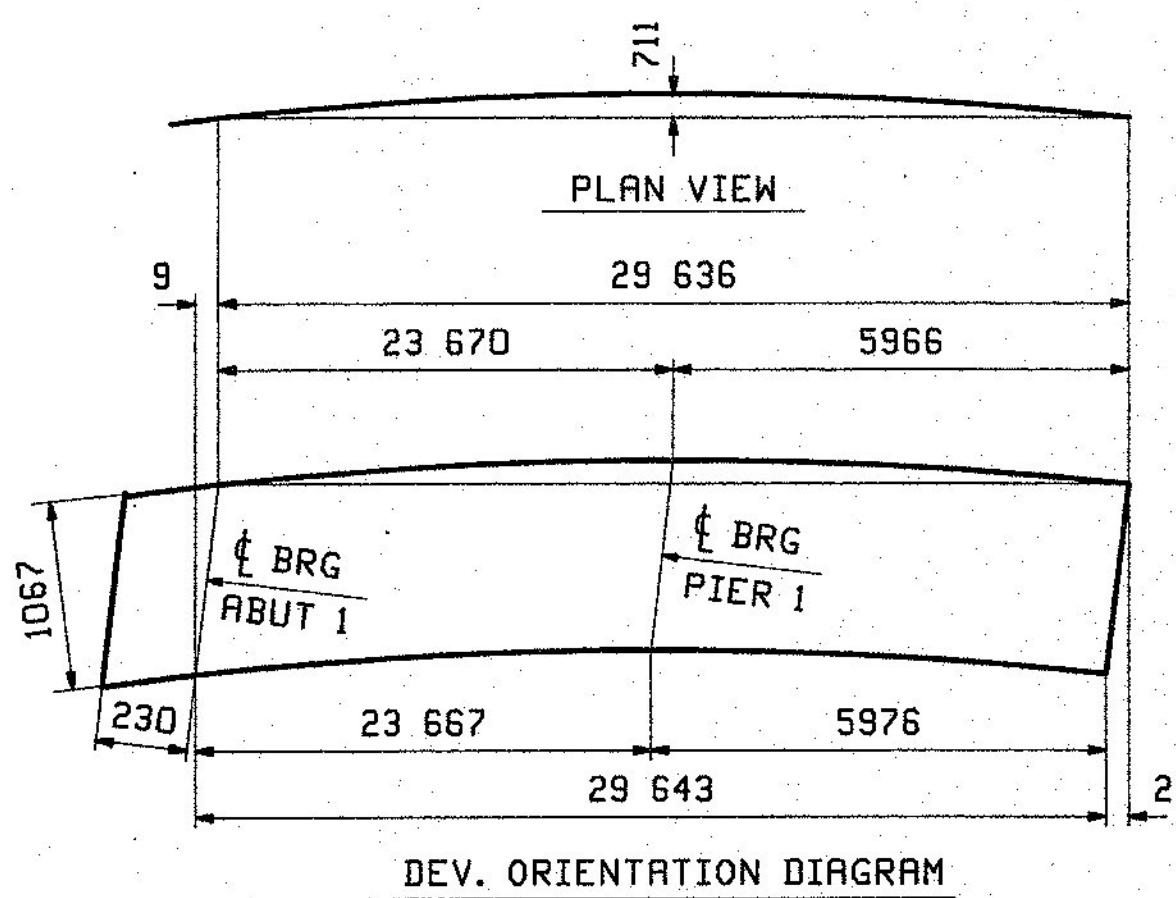
FOR GIRDER STANDARD DETAILS SEE DRAWING X2.
 FOR FIELD SPLICE DETAIL SEE DRAWING XI.
 FOR WEB CUTTING DIAGRAM SEE DRAWING CI.
 FOR FLANGE DIAGRAM SEE DRAWING FI.
 FOR GENERAL NOTES SEE DRAWING GNI.
 FOR TYPICAL WELD TERMINATION DETAILS SEE DRAWING GNI.
 ALL STIFFENERS ARE NORMAL TO WEB.
 T2 DENOTES MATERIAL SUBJECT TO CHARPY V-NOTCH TESTING.

NOTE "A"
 BEARING AREA TO RECEIVE FIELD WELDED SOLE PLATE.
 PRIMER ONLY BTM & EDGES OF BTM FLG.



ABM INFO		BILL OF MATERIAL				JOB NO.	DRAWING NO.	REV.	
PAGE	LINE	MARK	QTY	MARK	MATERIAL	LENGTH	REMARKS	WT	PROCUREMENT NOTES
		1G1A	1		GIRDER			8991 kg 19885 lb	
3	A		1	wa	PL 13x1067	11 731	M270M-345WT2	1277 kg 2818 lb	
3	S		1	wb	PL 13x1067	18 150	M270M-345WT2	1576 kg 3457 lb	
1	Y		1	ta	PL 22x406	16 912	M270M-345WT2	1186 kg 2614 lb	
1	G		1	tb	PL 29x406	12 954	M270M-345WT2	1187 kg 2614 lb	
1	Y		1	ba	PL 22x406	16 920	M270M-345WT2	1186 kg 2615 lb	
1	A		1	bb	PL 45x406	12 953	M270M-345WT2	1858 kg 4096 lb	
S	B		1	x2a	PL 22x178	1 067	MIE M270M-345WT2	33 kg 72 lb	
5	B		1	x2b	PL 22x178	1 067	MIE M270M-345WT2	33 kg 72 lb	
5	B		1	x2c	PL 22x178	1 067	MIE M270M-345WT2	33 kg 72 lb	
5	B		1	x2f	PL 22x178	1 067	MIE M270M-345WT2	33 kg 72 lb	
5	C		6	x2g	PL 13x178	1 067	MIE M270M-345WT2	19 kg 42 lb	
5	D		1	x2h	PL 6x72	0 285		1 kg 3 lb	
5	D		1	x2m	PL 6x95	0 285		1 kg 3 lb	

FOR FIELD SPLICE DETAIL
 SEE XI1 ON SHT XI



12/18	APPROVAL COMMENTS	CRK	PCP	12/19/12		
REV.	DATE	REMARKS	DWN	CHK	APVL	SHOP
		MATERIAL: M270M-345 UN	SURFACE PREP. & PAINT: SEE GNI	HOLES: 15 16"	SHOP BOLTS: NONE	
DESCRIPTION: GIRDER 1G1A						
CASCO BAY STEEL STRUCTURES, INC. 1 WALLACE AVE. PHONE (207) 780-6722 SOUTH PORTLAND, ME 04106 FAX. (207) 780-6726						
STRUCTURE: VT ROUTE 108, BRIDGE #21 MAJOR COLLECTOR TOWN OF CAMBRIDGE COUNTY OF LAMOILLE, VERMONT			DRAWN:	DATE:		
			CRK	10/08		
			CHKD:	DATE:		
			PCP	10/16		
LOCATION: CAMBRIDGE, VERMONT		JOB NO. 524		DWG NO. 1		REV. 1
PROJ NO. BRP 027-1(4)		CUSTOMER: A. L. ST. ONGE CONTRACTING				

DEC 23 2012
 RECEIVED
 BY: [Signature] DATE: 12/19/12