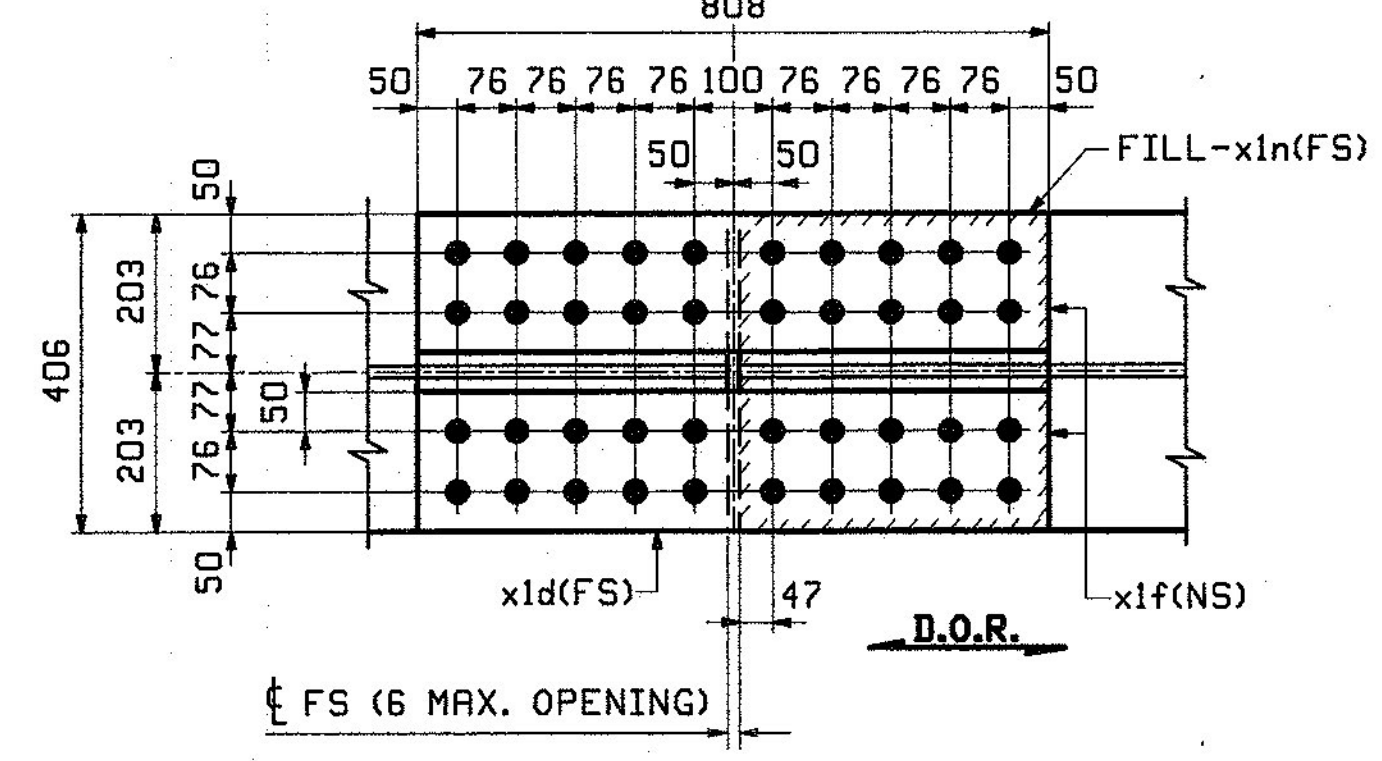
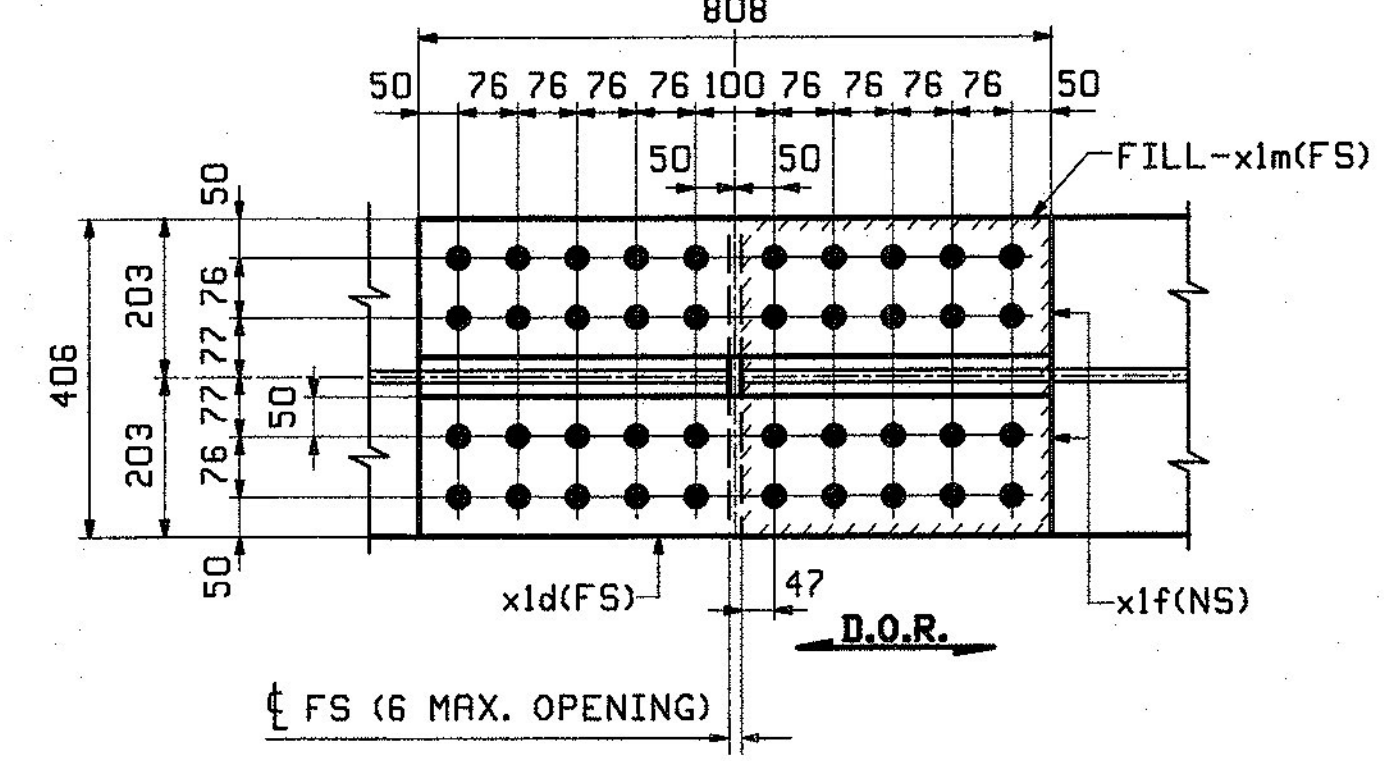
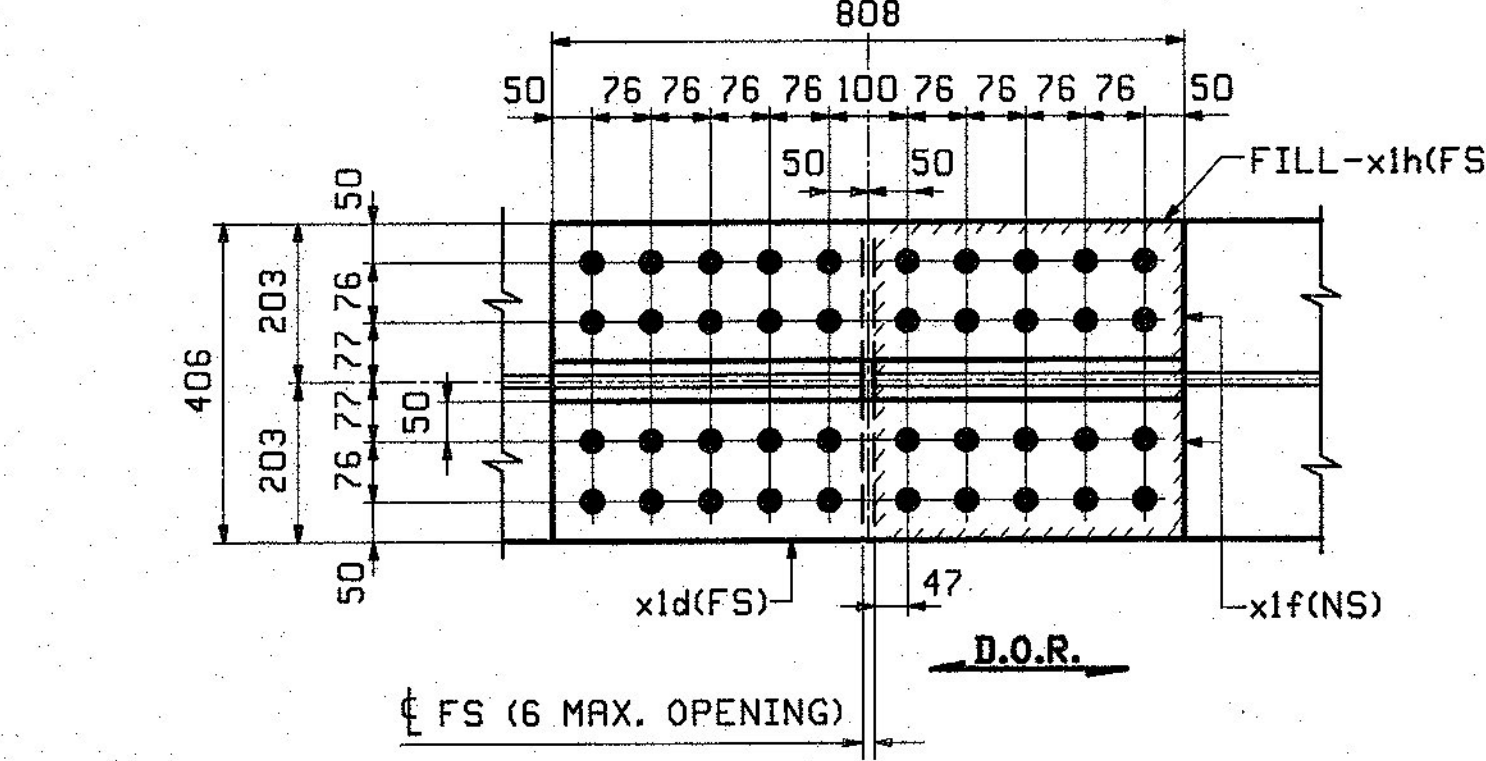
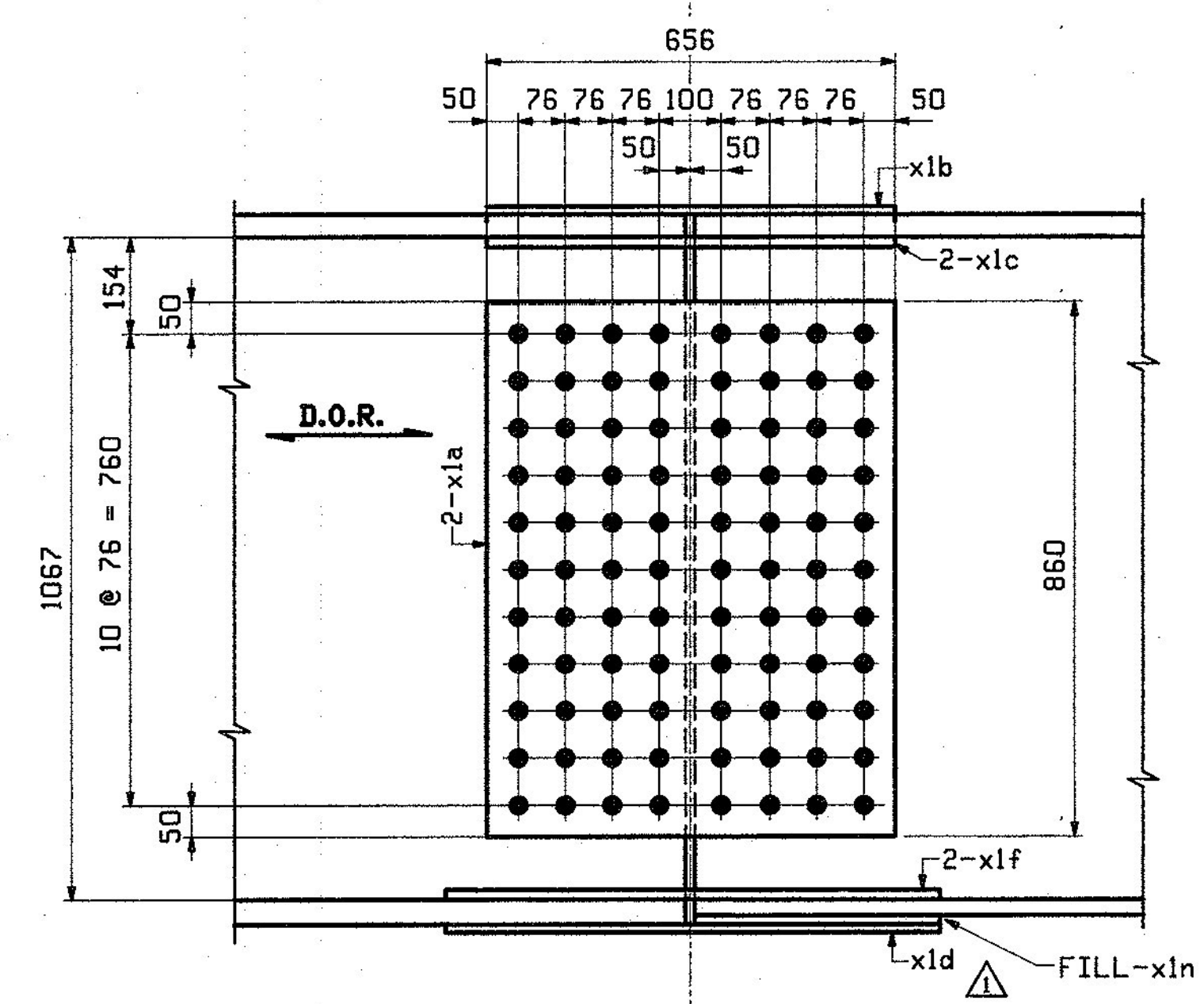
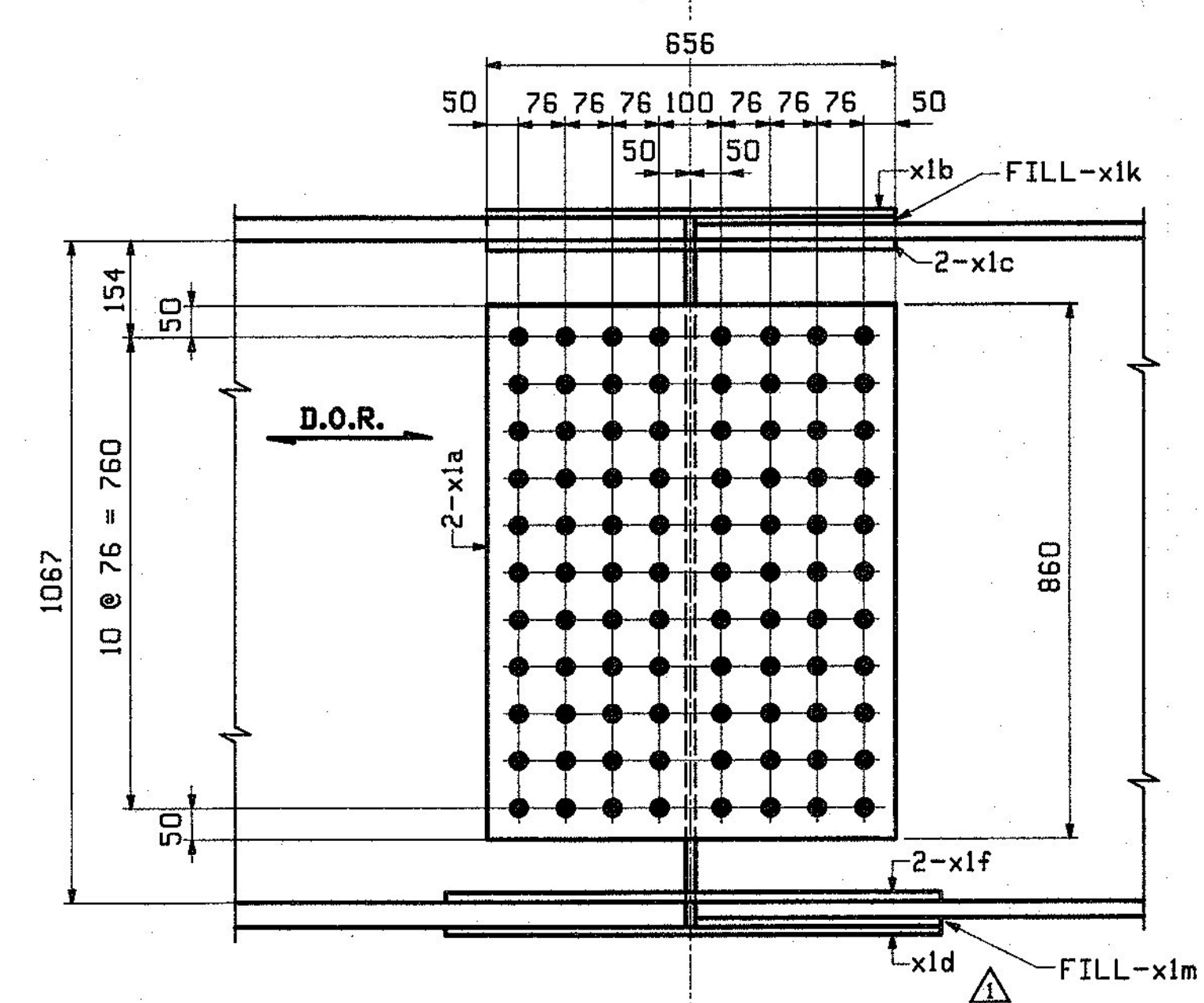
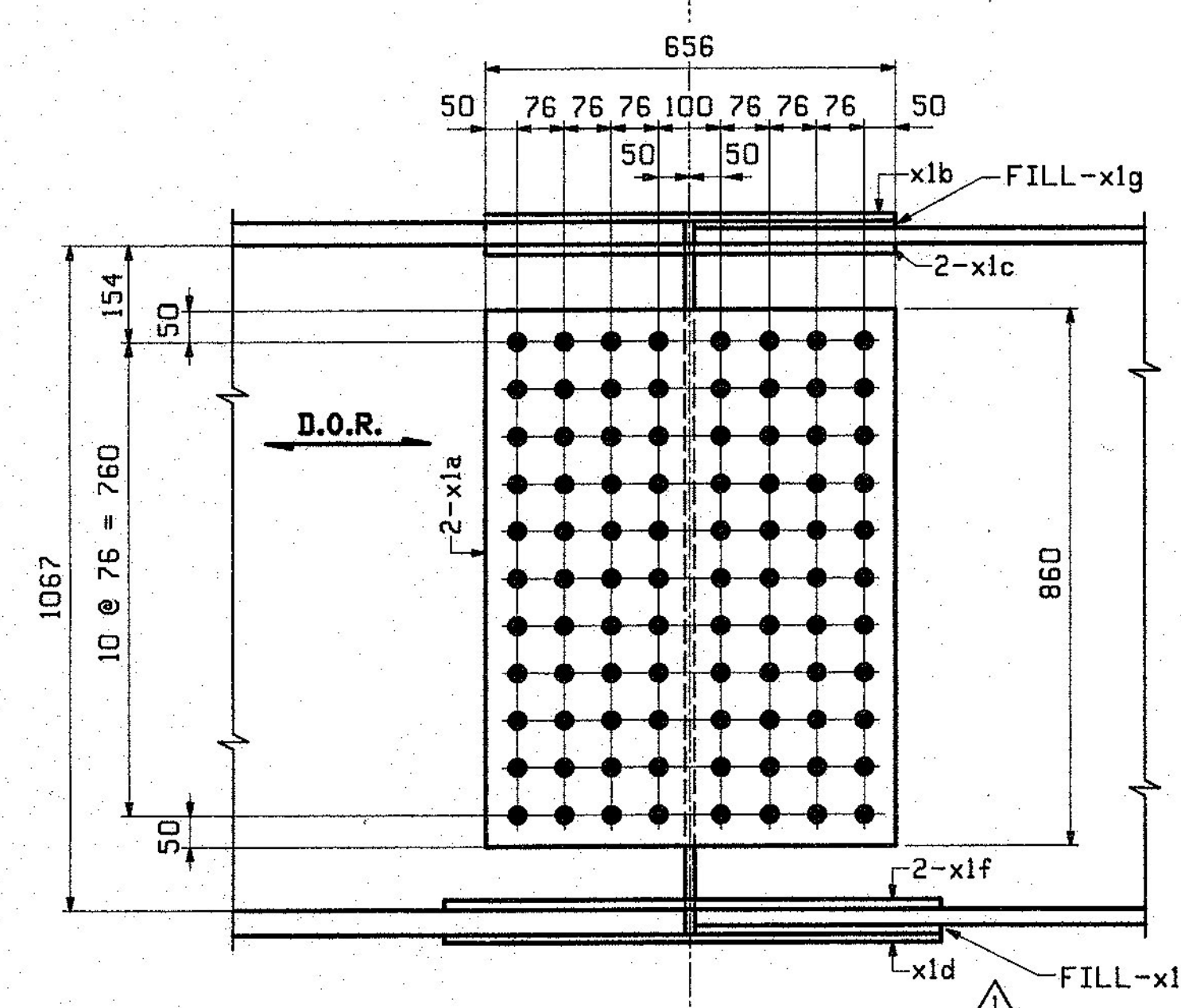
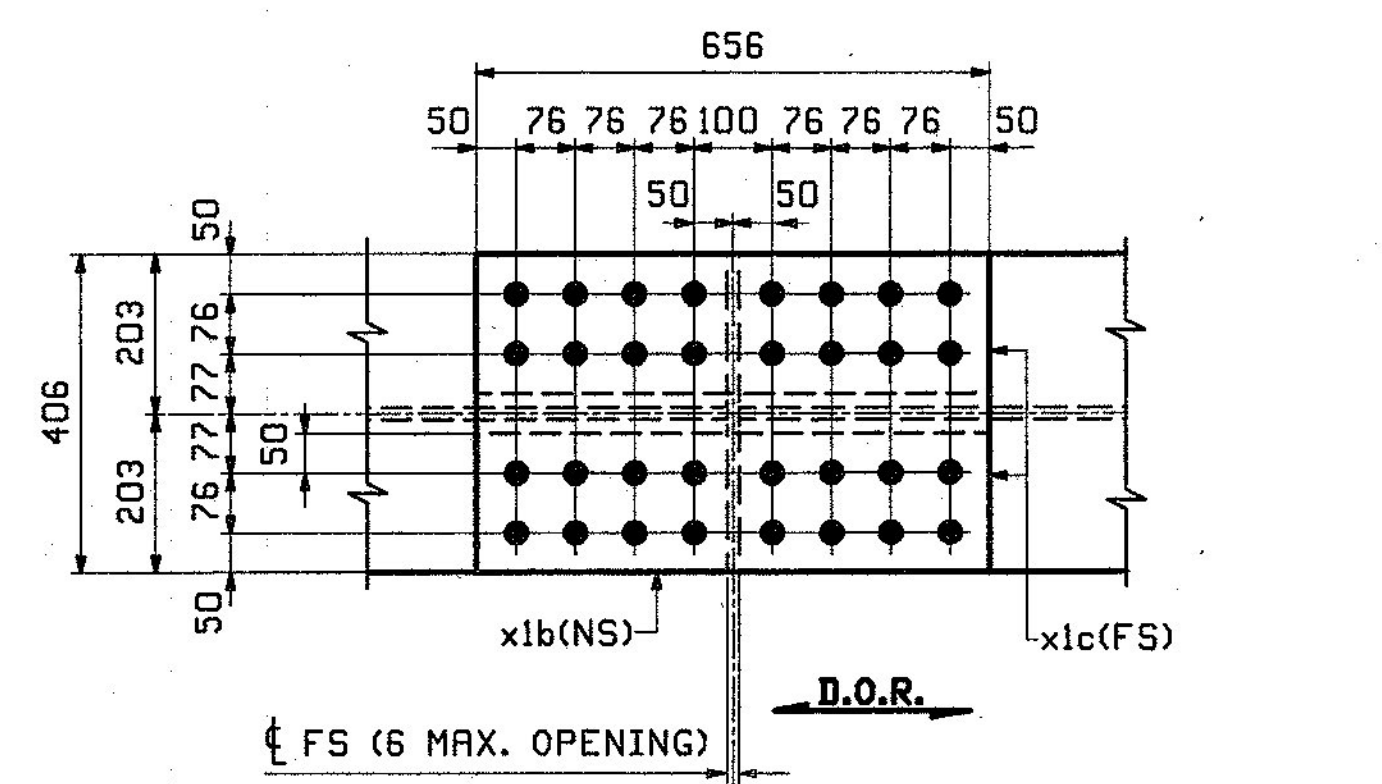
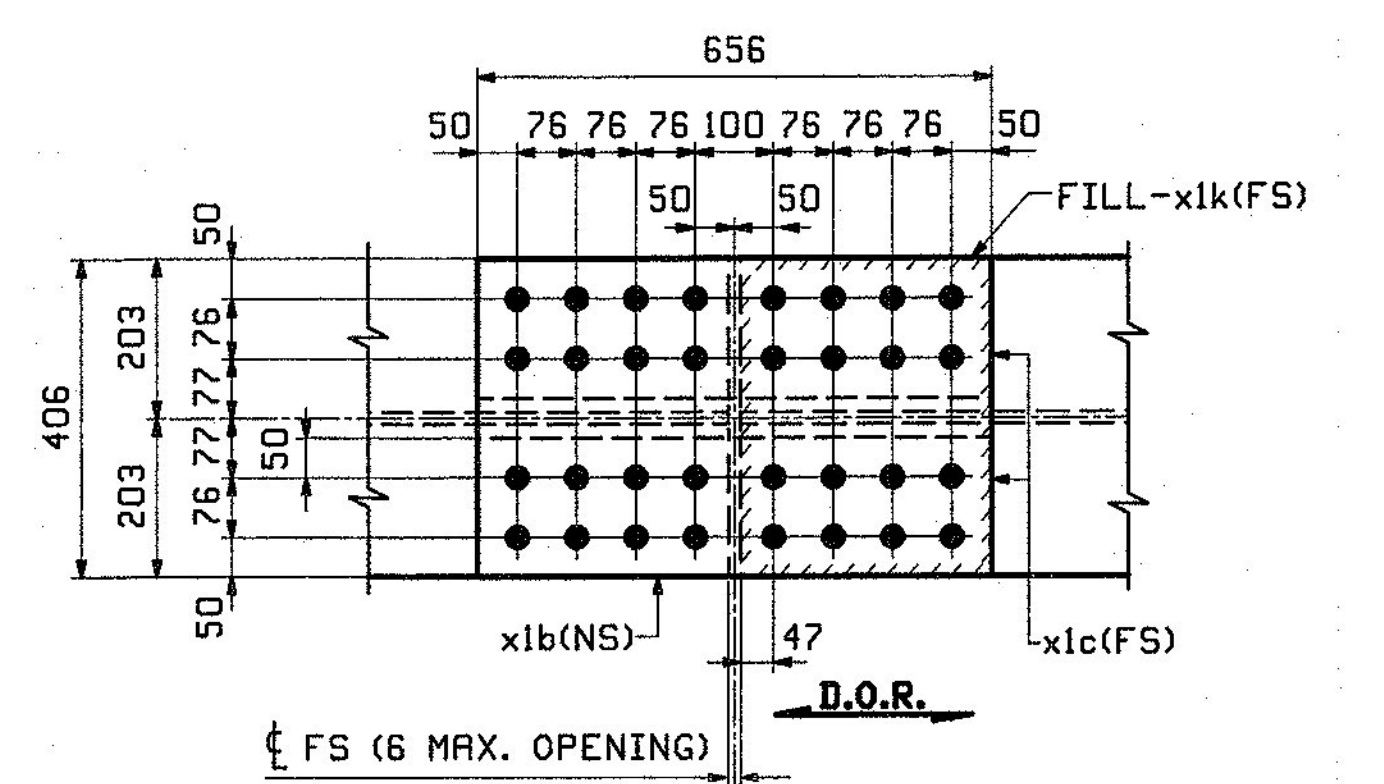
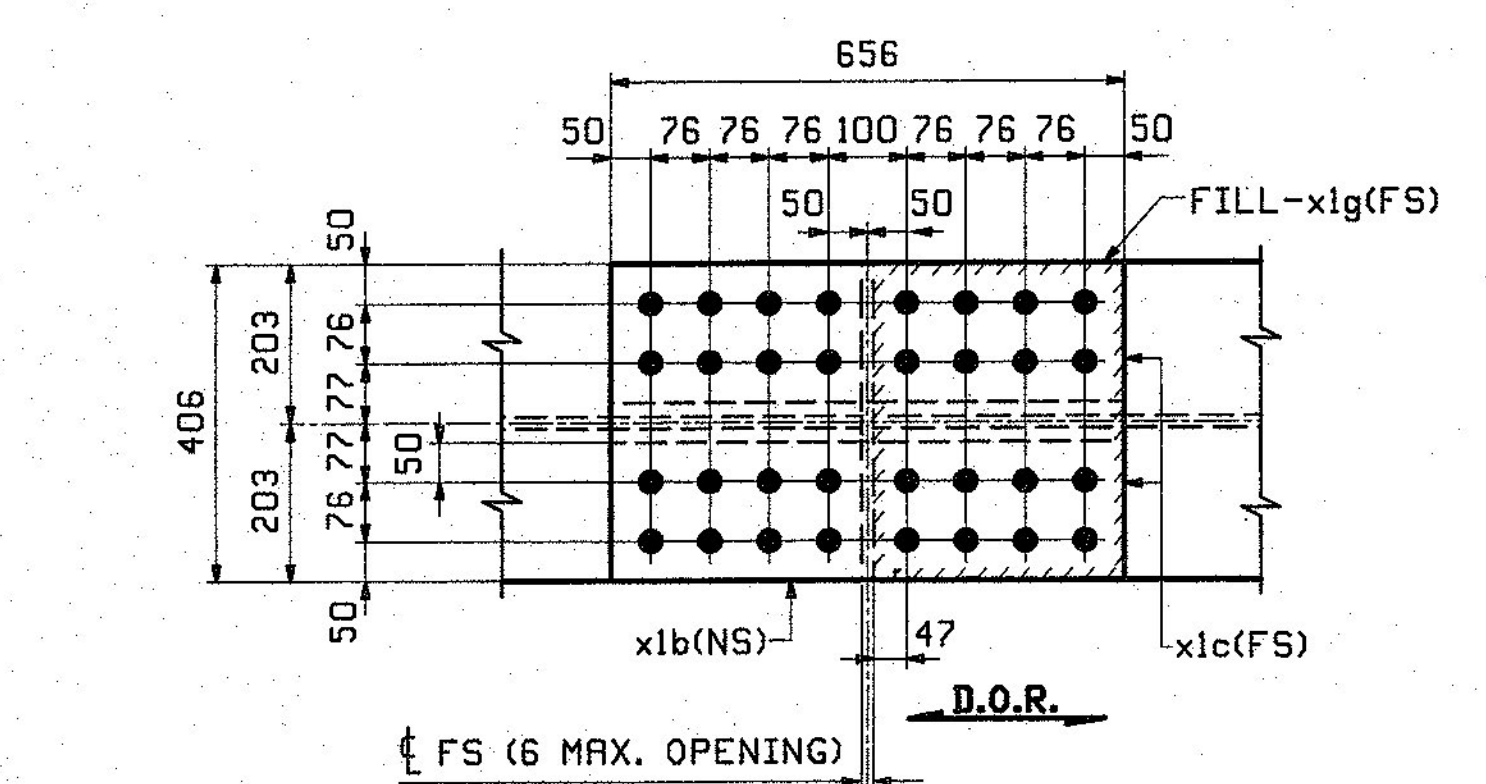


ABM INFO		SHIP	BILL OF MATERIAL				JOB NO.	DRAWING NO.	REV.
							524	X1	△
PAGE	LINE	MARK	QTY	MARK	MATERIAL	LENGTH	REMARKS	WT	PROCUREMENT NOTES
		XIM1	2		FIELD SPLICE			210 kg	
4	B		4	x1a	PL 8x860	0 656	M270M-345WT2	35 kg	
4	C		2	x1b	PL 10x406	0 656	M270M-345WT2	21 kg	
4	D		4	x1c	PL 15x176	0 656	M270M-345WT2	14 kg	
4	G		2	x1d	PL 10x406	0 808	M270M-345WT2	26 kg	
4	H		4	x1f	PL 13x176	0 808	M270M-345WT2	15 kg	
4	E		2	x1g	PL 7x406	0 325	FILL	7 kg	
4	J		2	x1h	PL 23x406	0 401	FILL	29 kg	
		XIM2	4		FIELD SPLICE			186 kg	
4	B		8	x1a	PL 8x860	0 656	M270M-345WT2	35 kg	
4	C		4	x1b	PL 10x406	0 656	M270M-345WT2	21 kg	
4	D		8	x1c	PL 15x176	0 656	M270M-345WT2	14 kg	
4	G		4	x1d	PL 10x406	0 808	M270M-345WT2	26 kg	
4	H		8	x1f	PL 13x176	0 808	M270M-345WT2	15 kg	
4	F		4	x1k	PL 10 GA x 406	0 325	FILL	4 kg	
4	K		4	x1m	PL 15x406	0 401	FILL	20 kg	
		XIM3	2		FIELD SPLICE			178 kg	
4	B		4	x1a	PL 8x860	0 656	M270M-345WT2	35 kg	
4	C		2	x1b	PL 10x406	0 656	M270M-345WT2	21 kg	
4	D		4	x1c	PL 15x176	0 656	M270M-345WT2	14 kg	
4	G		2	x1d	PL 10x406	0 808	M270M-345WT2	26 kg	
4	H		4	x1f	PL 13x176	0 808	M270M-345WT2	15 kg	
4	L		2	x1n	PL 10 GA x 406	0 401	FILL	4 kg	



**2 ~ FIELD SPLICE DETAIL ~ XIM1**  
 FS1 & FS2 - G1  
 FIELD SPLICE 1 SHOWN  
 FIELD SPLICE 2 ROTATED 180°

**4 ~ FIELD SPLICE DETAIL ~ XIM2**  
 FS1 & FS2 - G2 & G3  
 FIELD SPLICE 1 SHOWN  
 FIELD SPLICE 2 ROTATED 180°

**2 ~ FIELD SPLICE DETAIL ~ XIM3**  
 FS1 & FS2 - G4  
 FIELD SPLICE 1 SHOWN  
 FIELD SPLICE 2 ROTATED 180°

NOTES:  
 - FOR GENERAL NOTES SEE DRAWING GNI.  
 - HOLES IN SPLICE PLATES ARE PRE-DRILLED.  
 ENDS OF GIRDER ARE DRILLED FROM SOLID  
 USING SPLICE PLATES AS A TEMPLATE.  
 - **D.O.R.** DENOTES DIRECTION OF MILL ROLLING  
 - T2 DENOTES CHARTY V-NOTCH TESTING REQUIRED.

△	12/18	APPROVAL COMMENTS	CRK	PCP	12/18/12	
0						
REV.	DATE	REMARKS	DNW	CHK	APVL	SHOP
MATERIAL:		SURFACE PREP. & PAINT:		HOLES:		SHOP BOLTS:
AS NOTED		SEE GNI		15/16" Ø		NONE
DESCRIPTION: STANDARD DETAILS						
CASCO BAY STEEL STRUCTURES, INC. 1 WALLACE AVE. PHONE (207) 780-6722 SOUTH PORTLAND, ME 04106 FAX. (207) 780-6726						
STRUCTURE: VT ROUTE 108, BRIDGE #21 MAJOR COLLECTOR TOWN OF CAMBRIDGE COUNTY OF LAMOILLE, VERMONT					DRAWN:	DATE:
					CRK	10/04
					CHKD:	DATE:
					PCP	10/16
LOCATION: CAMBRIDGE, VERMONT			JOB NO.	DWG NO.		
PROJ NO. BRF 027-1(4)			524	X1		
CUSTOMER: A. L. ST. ONGE CONTRACTING			REV. △			

DEC 28 2012  
 APPROVED  
 DATE 12/21/12