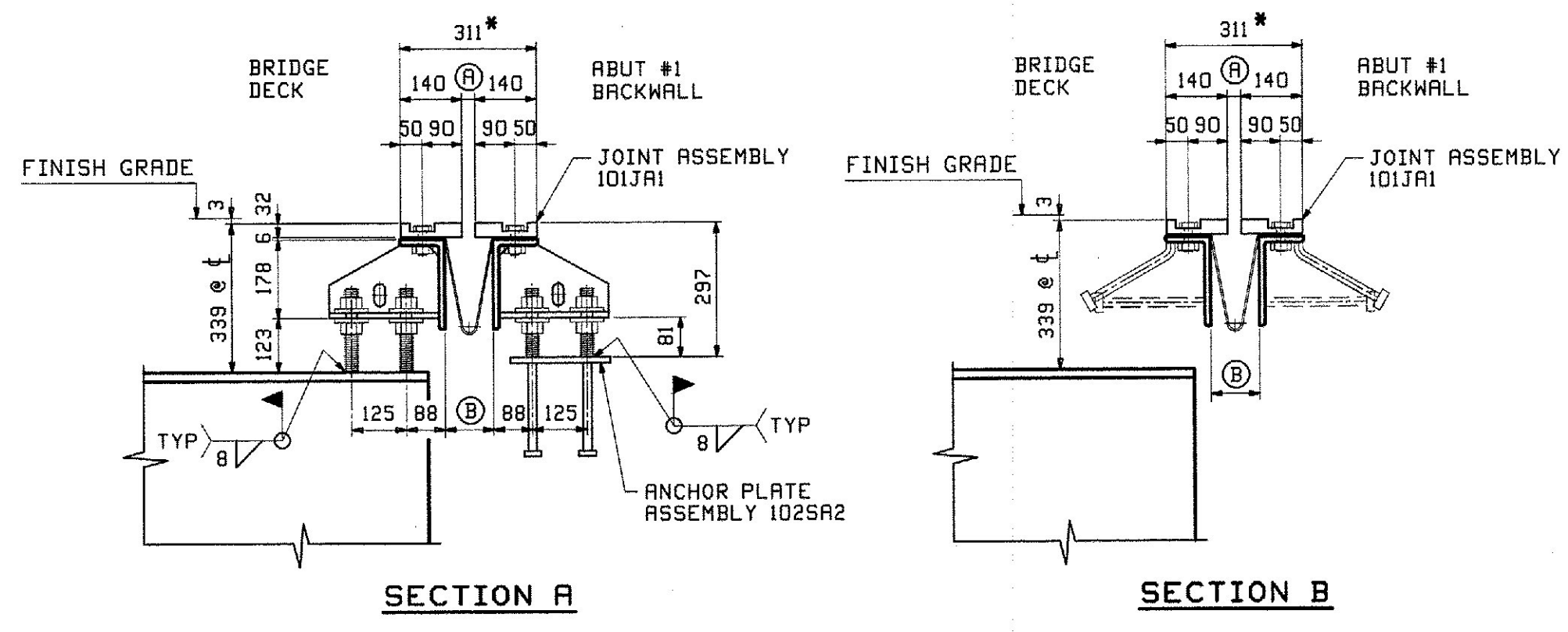


TEMP	(A)	(B)
-30° C	57	137
-20° C	51	131
-10° C	44	124
0° C	30	118
10° C	31	111
20° C	25	105
30° C	18	98
40° C	12	92



Vermont Agency of Transportation  
**RECEIVED**  
 CK'D BY J. Griffin OK'D BY M. Umberger  
 Apr. 3, 2013  
 RESUBMIT APPROVED ✓  
 BY M. Evans-Mongeon DATE 4-10-2013

REV.	DATE	REMARKS	DWN	CHK	APVL	SHOP
0						
DESCRIPTION: EXPANSION JOINT PLAN						
CASCO BAY STEEL STRUCTURES, INC. 1 WALLACE AVE. PHONE (207) 780-6722 SOUTH PORTLAND, ME 04106 FAX. (207) 780-6726						
STRUCTURE: VT ROUTE 108, BRIDGE #21 MAJOR COLLECTOR TOWN OF CAMBRIDGE COUNTY OF LAMOILLE, VERMONT				DRWN:	TJB	DATE: 03/16
LOCATION: CAMBRIDGE, VERMONT				CHKD:	DH	DATE: 03/25
PROJ NO.	BRF 027-1(4)		JOB NO.	524		
CUSTOMER:	A. L. ST. ONGE CONTRACTING		DWG NO.	E101		
				REV.	△	