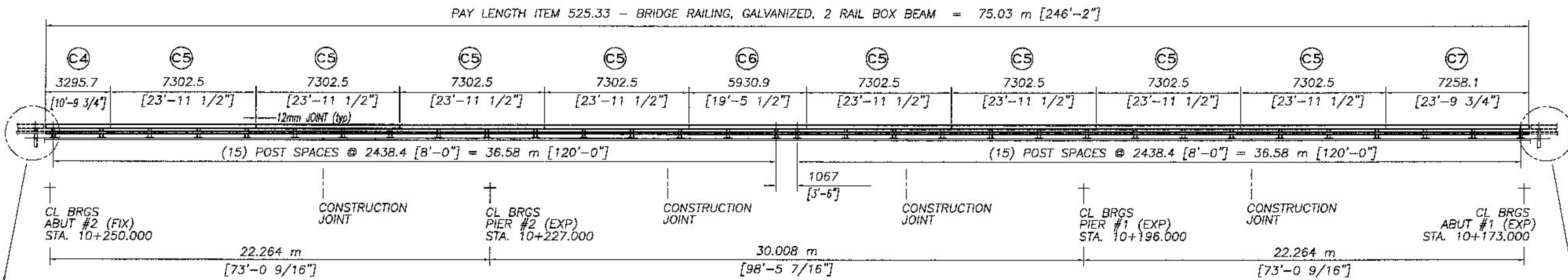
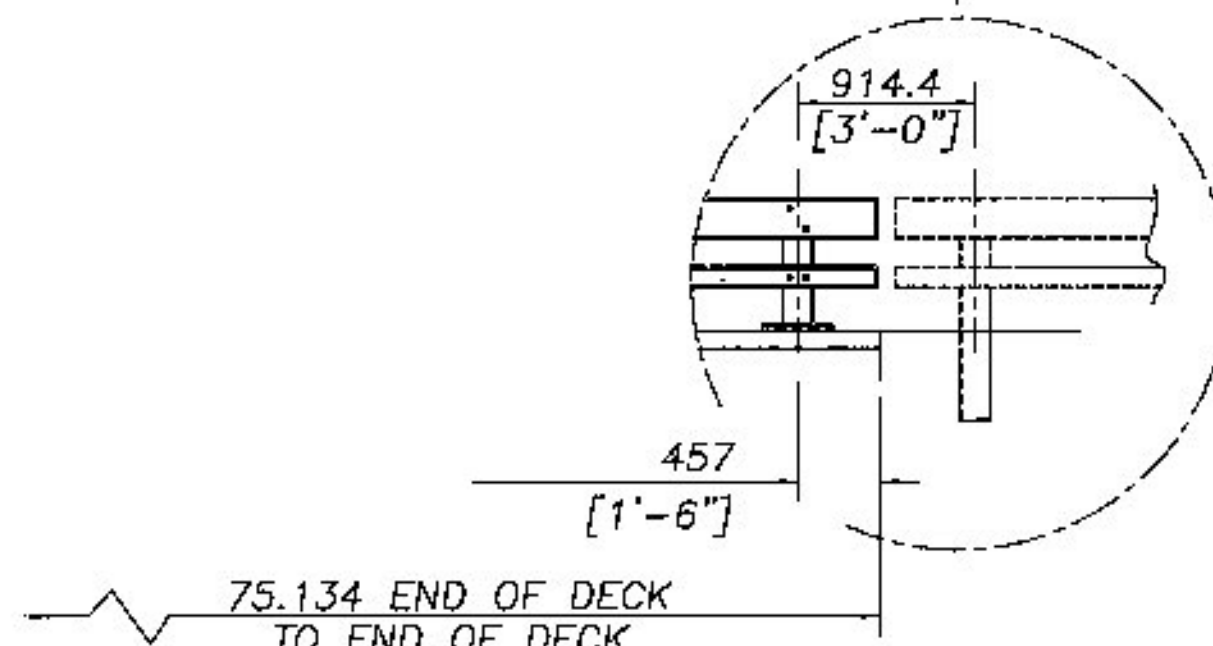
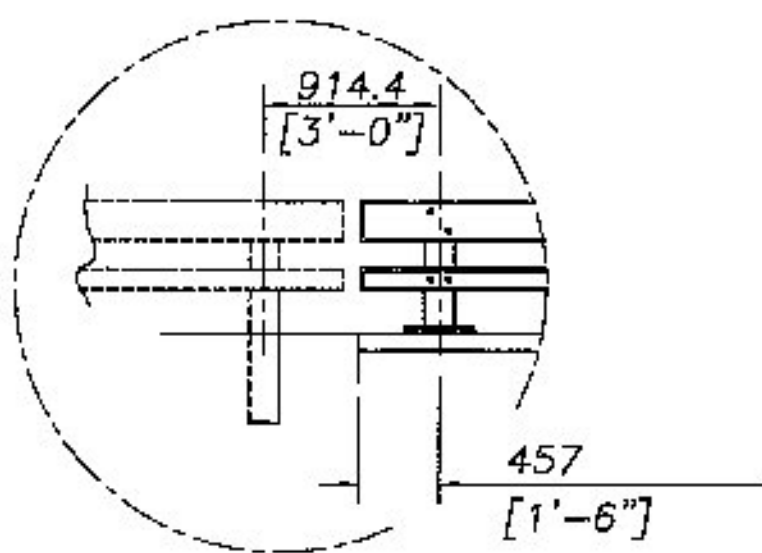


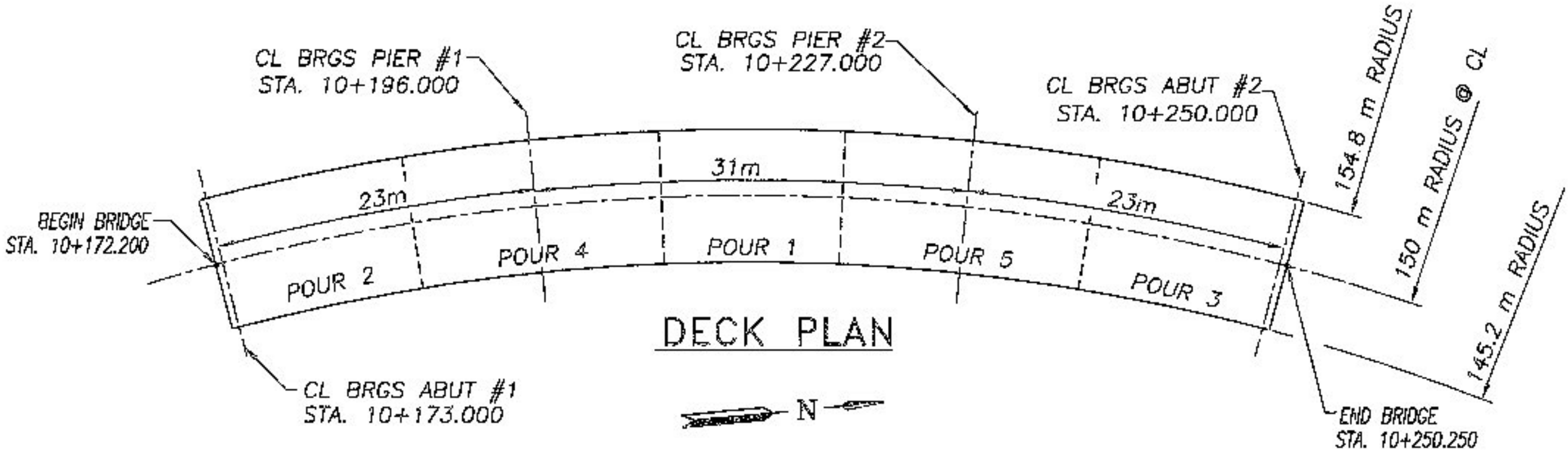
PLAN VIEW - EAST FASCIA RAILING



ELEVATION VIEW - EAST FASCIA RAILING
FACING EAST, LOOKING AT FRONT OF RAIL, FROM CENTERLINE OF ROAD
ALL DIMENSIONS IN ELEVATION VIEW ARE RADIAL AS MEASURED ALONG FACE OF RAILING



NOTE:
BRIDGE RAIL TUBES WILL BE SHOP CURVED TO THE REQUIRED RADIUS [145 m ± CONVEX]
APPROACH RAILS WILL BE PROVIDED STRAIGHT AND WILL FLEX TO REQUIRED RADIUS DURING INSTALLATION



DECK PLAN

Vermont Agency of Transportation RECEIVED CK'D BY MEM OK'D BY May 31, 2013 RESUBMIT APPROVED BY MEM DATE 5-31-2013		HIGHWAY SAFETY CORP GLASTONBURY, CT 860-633-9445	
		ITEM 525.33 BRIDGE RAILING GALVANIZED 2 RAIL BOX BEAM (S-360A) ITEM 621.72 GUARDRAIL APPROACH GALVANIZED 2 RAIL BOX BEAM (S-360B)	
TOWN OF CAMBRIDGE, LAMOILLE COUNTY VT 108 BRIDGE #21 BR F 027-1(4)		CERTIFIED FABRICATOR ASS. JOB NO. 1912 SHEET NO. 2 of 4	
DRAWN PAR CHECKED DATE 04-24-13 SCALE NONE SIZE D	GENERAL CONTRACTOR LAFAYETTE		