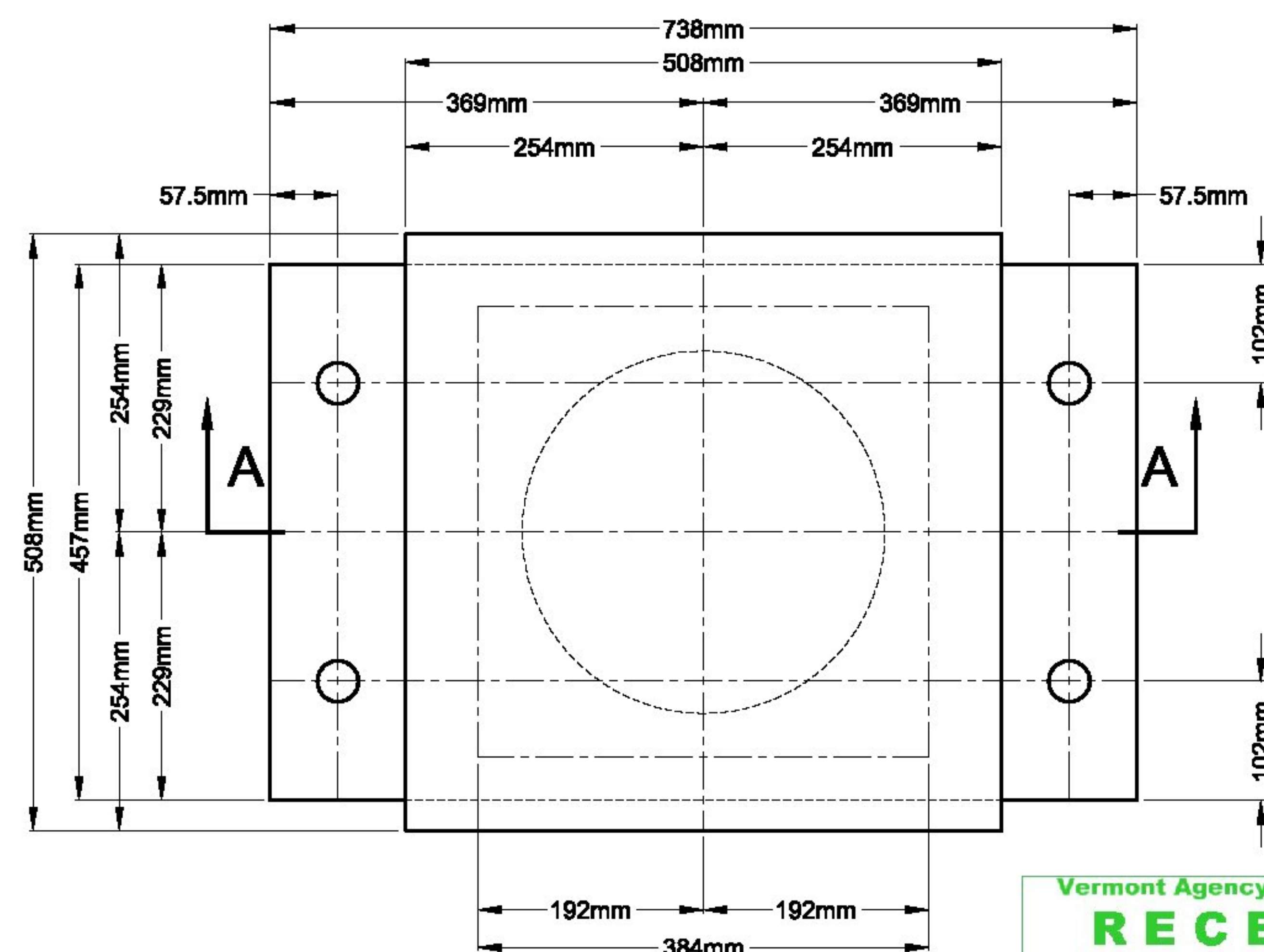
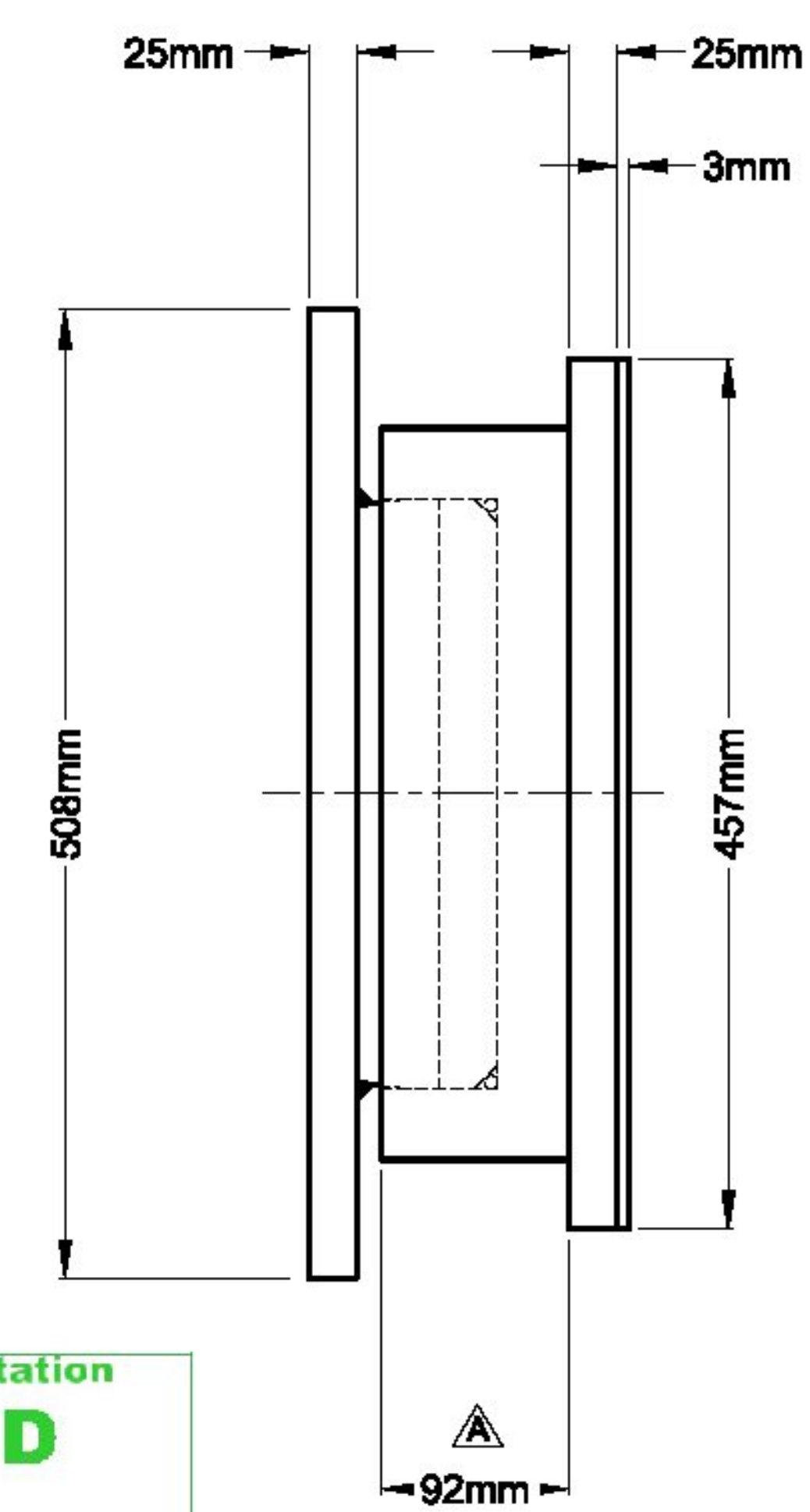


REVISIONS					
ZONE	REV	DESCRIPTION	REVISED BY	DATE	APPROVED
--	A	ADD DIMS., ADJUST QUANTITY & CHANGE DIM.	EJG	10/8/12	BF



PLAN VIEW
 QTY. REQ'D. = 2 ASSY.
 PIER 2 # 6 & 7



SIDE VIEW

Design Load (Kn)	Service Limit State	Vertical	Max.	1807
			Min.	621
Translation (mm)	Service Limit State	Irreversible	Permanent	651
			Transverse	314
			Longitudinal	40
Rotation (rad)	Service Limit State	Reversible	Vertical	2840
			Transverse	550
			Longitudinal	168
Translation (mm)	Strength Limit State	Reversible	Transverse	0
			Longitudinal	3
			Longitudinal	29
Rotation (rad)	Service Limit State	Irreversible	Transverse	0.005
			Longitudinal	0.006
			Reversible	Transverse
			Longitudinal	0.003

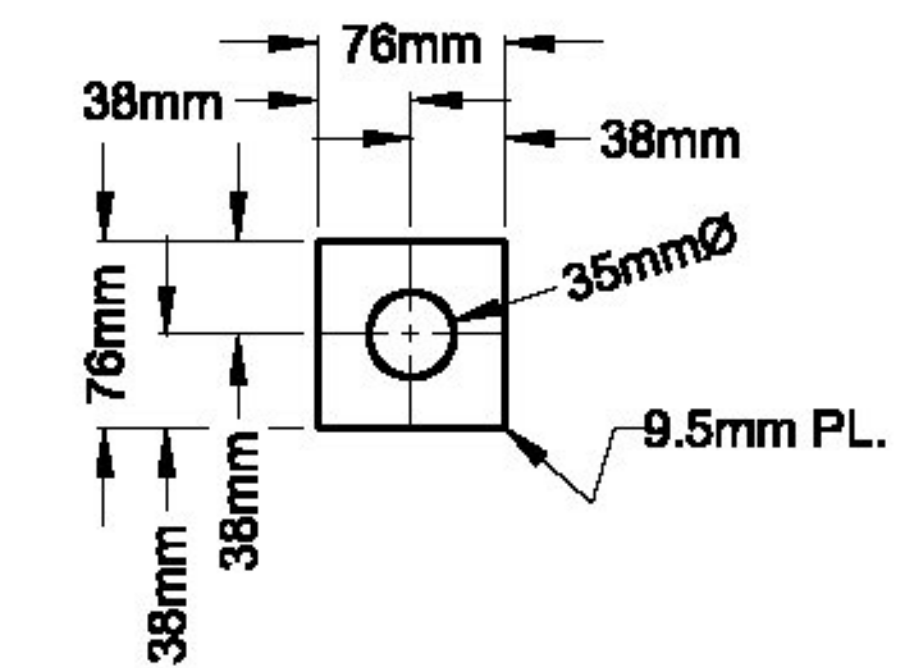
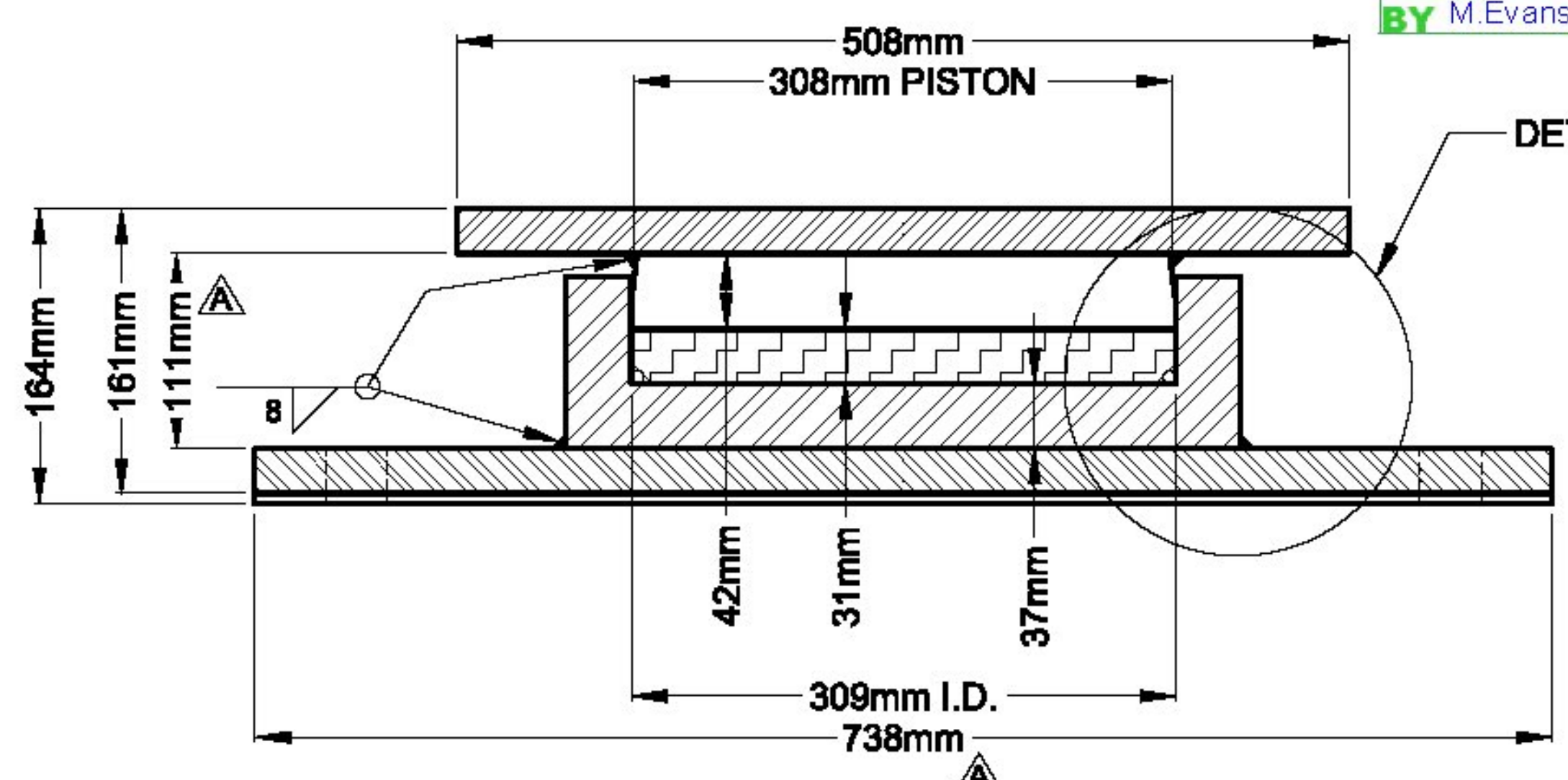
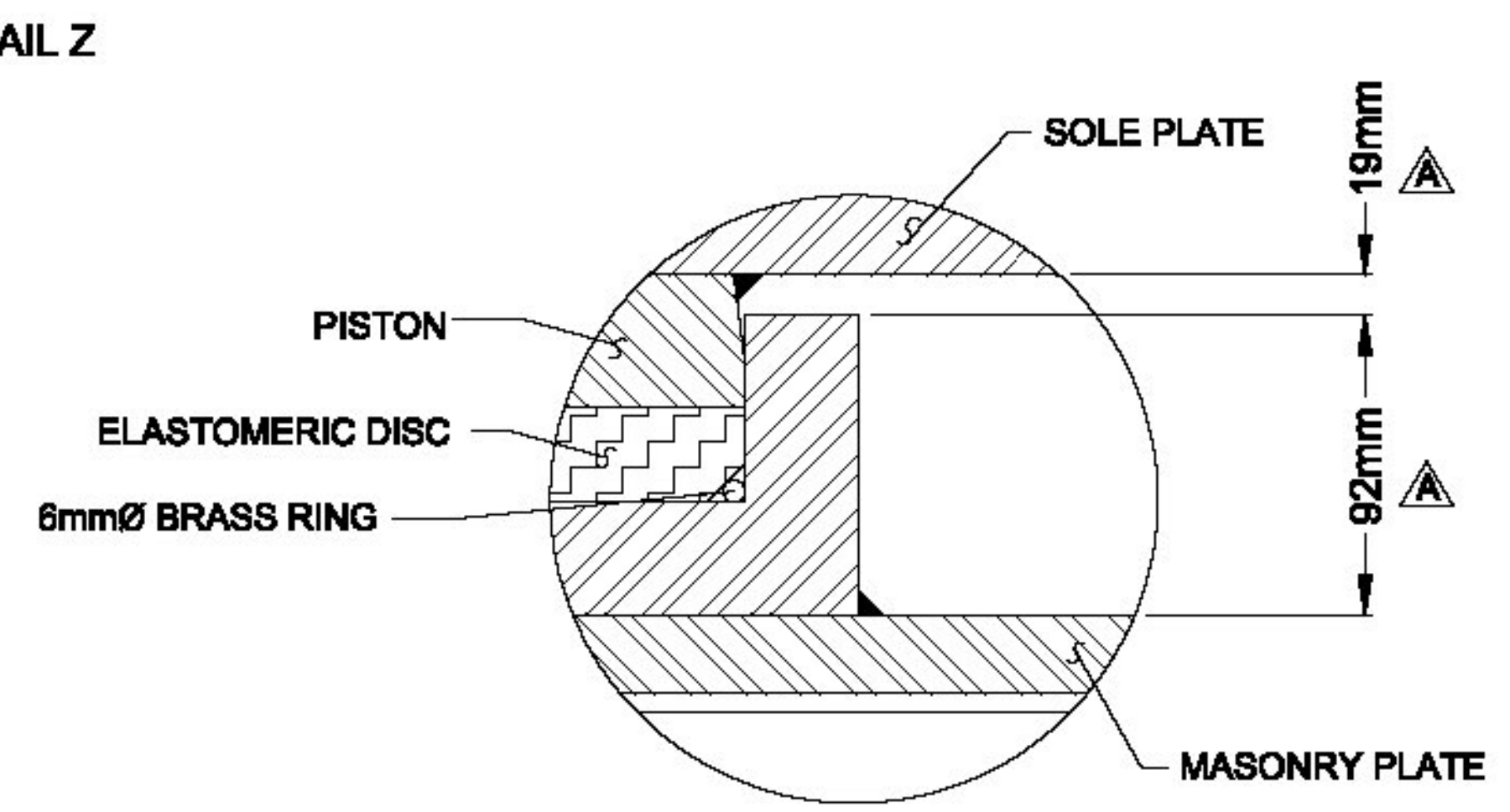


PLATE WASHER DETAIL

Vermont Agency of Transportation
RECEIVED
 CK'D BY M.E.M. OK'D BY _____
 Oct. 10, 2012
 RESUBMIT APPROVED
 BY M.Evans-Mongeon DATE Nov. 01, 2012



SECTION A-A



DETAIL Z

SEE SHEET 5 OF 5 FOR NOTES & ANCHOR BOLT DETAIL.

CAMBRIDGE
 PROJECT NUMBER: BRF-027-1 (4)

**HIGH LOAD MULTI-ROTATIONAL
 FIXED BEARING DETAILS**

AMSCOT
 STRUCTURAL PRODUCTS CORP.

SCALE: N.T.S.	APPR'D: BF	DRAWN BY: E.J.G.
DATE: 9/25/12		REVISION: A
FOR: A. L. ST. ONGE CONTRACTOR, INC.		
DWG NO: ALO12B4RA		SHEET 4 OF 5