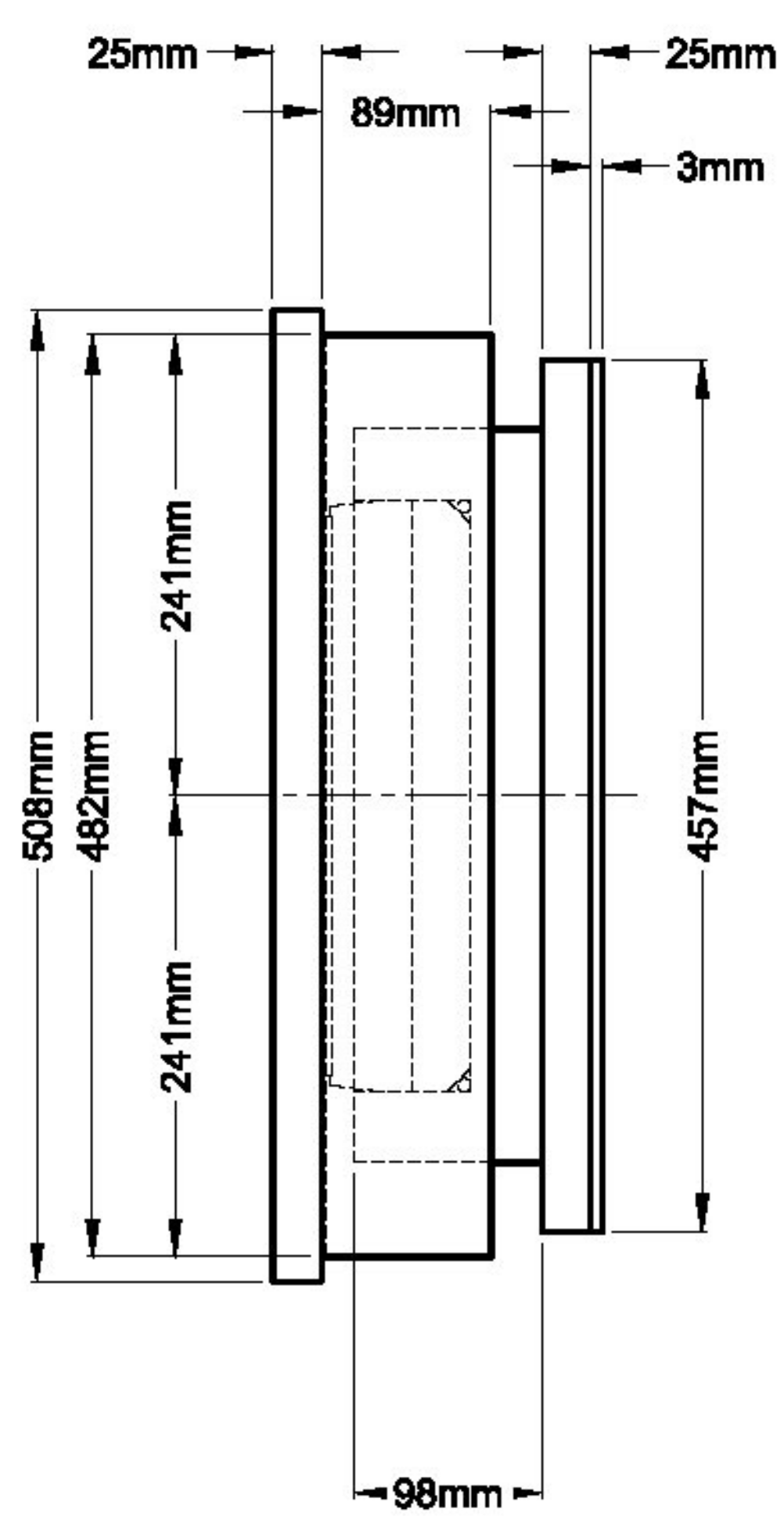
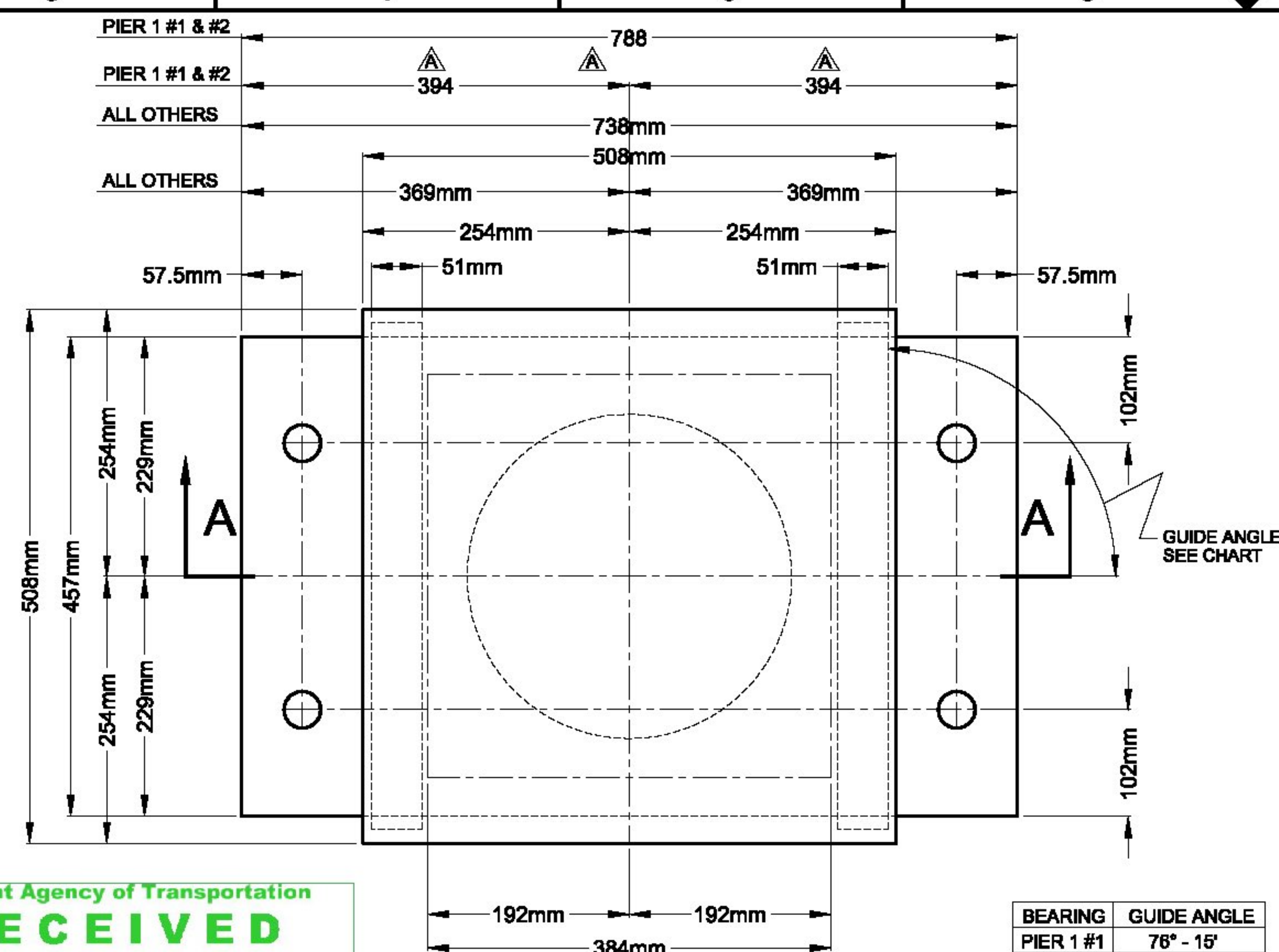


REVISIONS					
ZONE	REV	DESCRIPTION	REVISED BY	DATE	APPROVED
--	A	PER ENGINEERS MARKS	EJG	10/8/12	BF



Design Load (Kn)	Service Limit State	Vertical	Max.	1807
			Min.	621
	Strength Limit State	Permanent	651	
		Transverse	314	
		Longitudinal	40	
Translation (mm)	Service Limit State	Vertical	2840	
		Transverse	550	
		Longitudinal	168	
Rotation (rad)	Service Limit State	Irreversible	Transverse	0.005
		Reversible	Longitudinal	0.008
		Reversible	Transverse	0.000
			Longitudinal	0.003

BEARING	GUIDE ANGLE
PIER 1 #1	76° - 15'
PIER 1 #2	81° - 25'
PIER 1 #3	86° - 45'
PIER 1 #4	92° - 10'
PIER 2 #5	0° - 0'
PIER 2 #8	0° - 0'

PLAN VIEW
QTY. REQ'D. = 6 ASSY.

SIDE VIEW

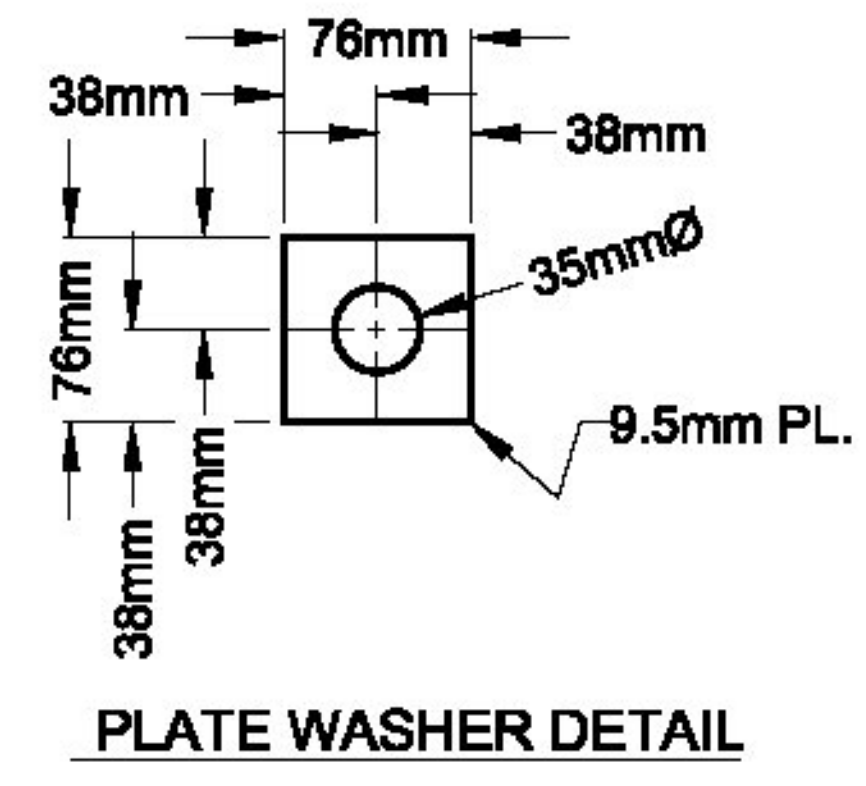
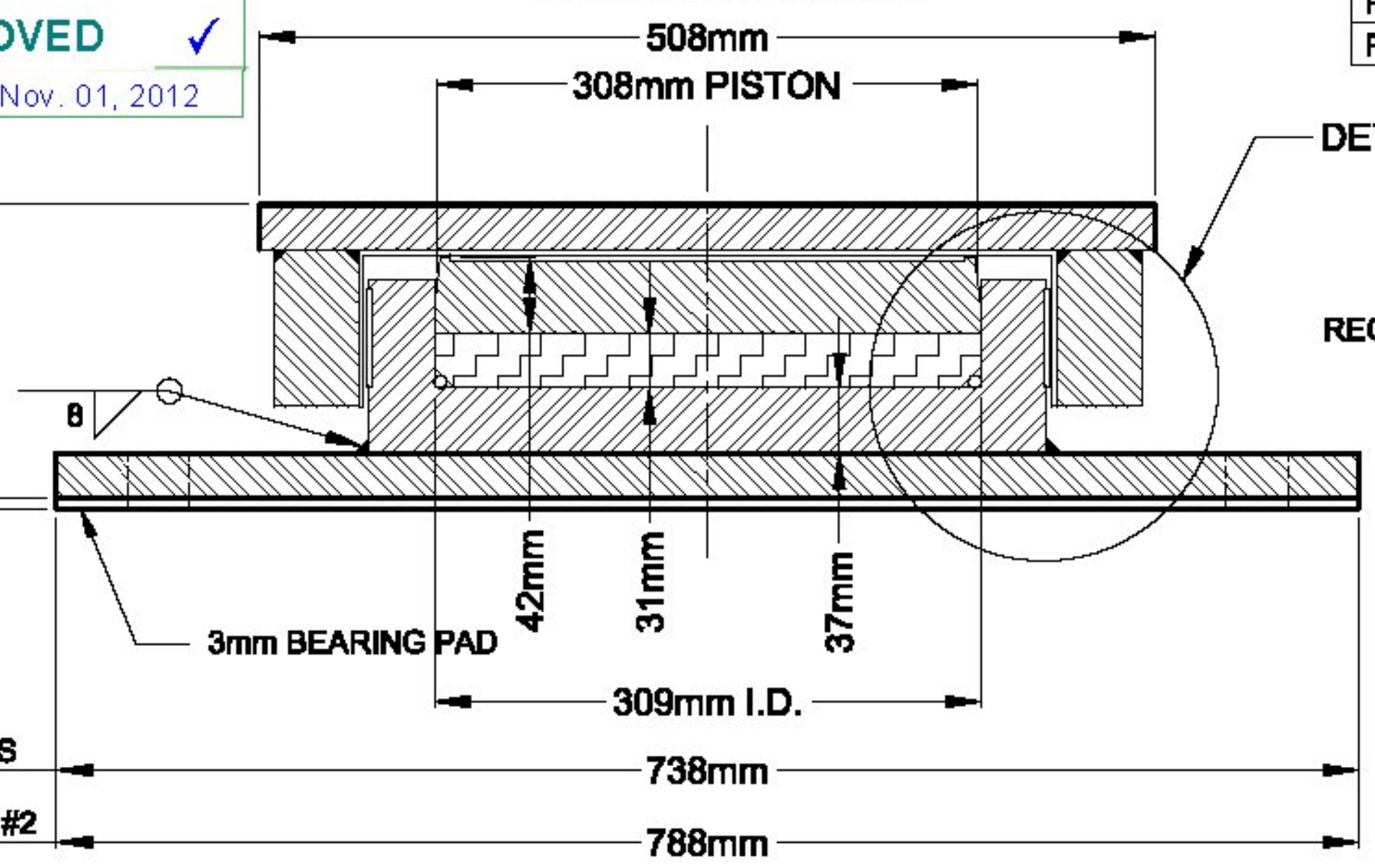
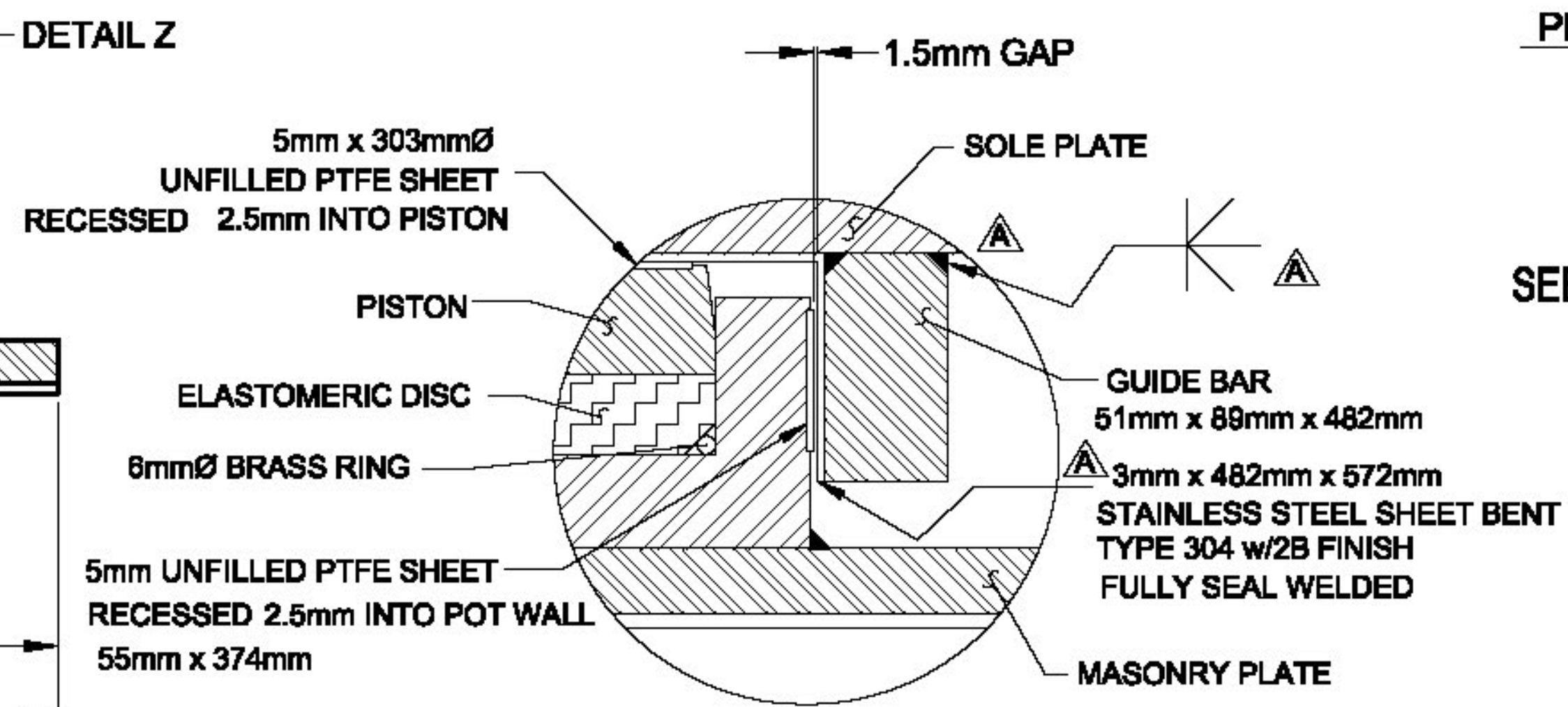


PLATE WASHER DETAIL

Vermont Agency of Transportation
RECEIVED
CK'D BY M.E.M. OK'D BY
Oct. 10, 2012
RESUBMIT APPROVED ✓
BY M.Evans-Mongeon DATE Nov. 01, 2012



SECTION A-A



DETAIL Z

SEE SHEET 5 OF 5 FOR NOTES & ANCHOR BOLT DETAIL.

CAMBRIDGE
PROJECT NUMBER: BRF-027-1 (4)

**HIGH LOAD MULTI-ROTATIONAL
GUIDED BEARING DETAILS**

AMSCOT
STRUCTURAL PRODUCTS CORP.

SCALE: N.T.S.	APPRVD: BF	DRAWN BY: E.J.G.
DATE: 9/25/12		REVISION: A
FOR: A. L. ST. ONGE CONTRACTOR, INC.		
DWG NO: AL012B3RA		SHEET 3 OF 5