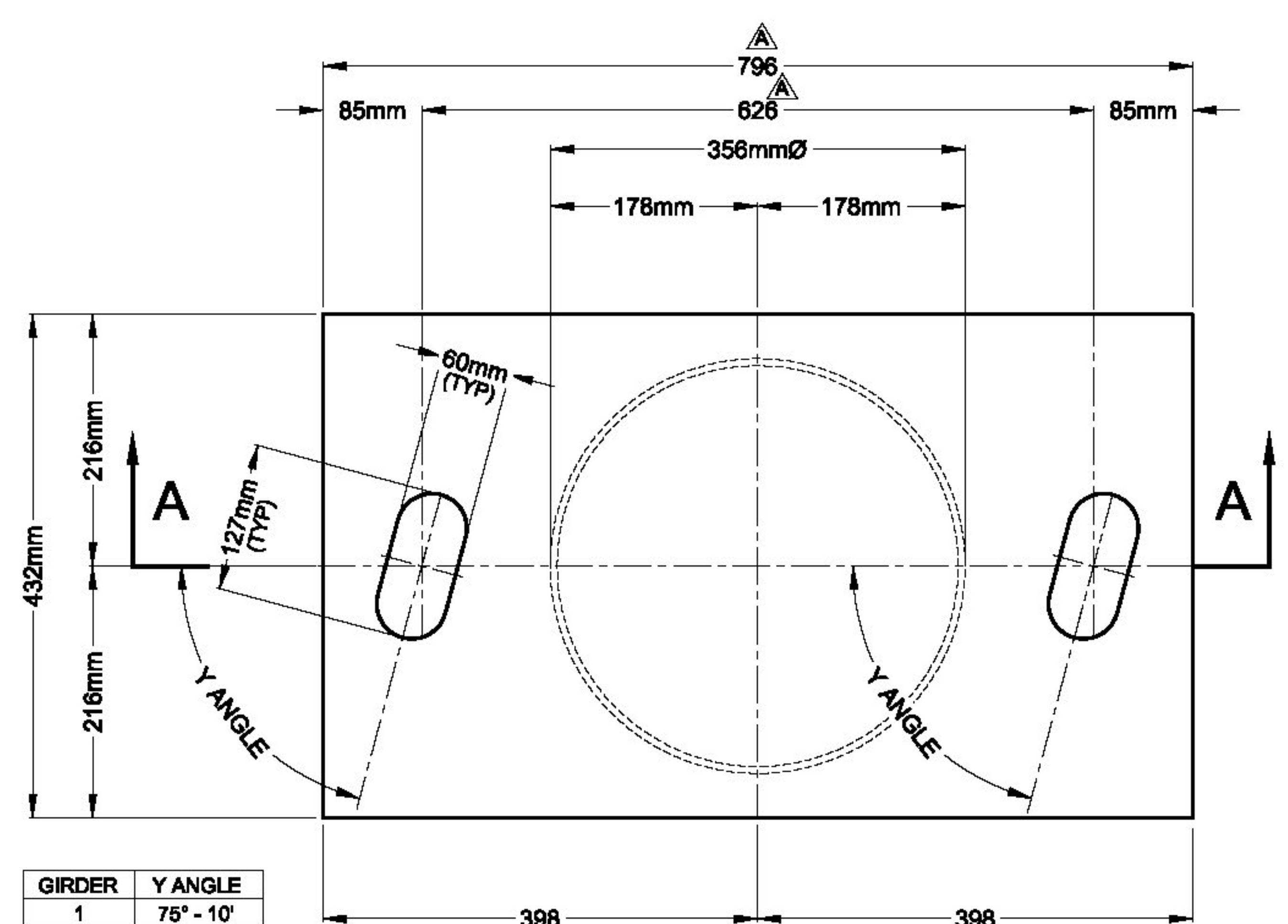


REVISIONS				
ZONE	REV	DESCRIPTION	REVISED BY	DATE
--	A	DESCRIPTION	EJG	10/8/12



GIRDER	Y ANGLE
1	75° - 10'
2	78° - 10'
3	81° - 15'
4	84° - 20'

PLAN VIEW
 QTY. REQ'D. = 4 ASSY.
 LOCATION= ABUTMENT 1

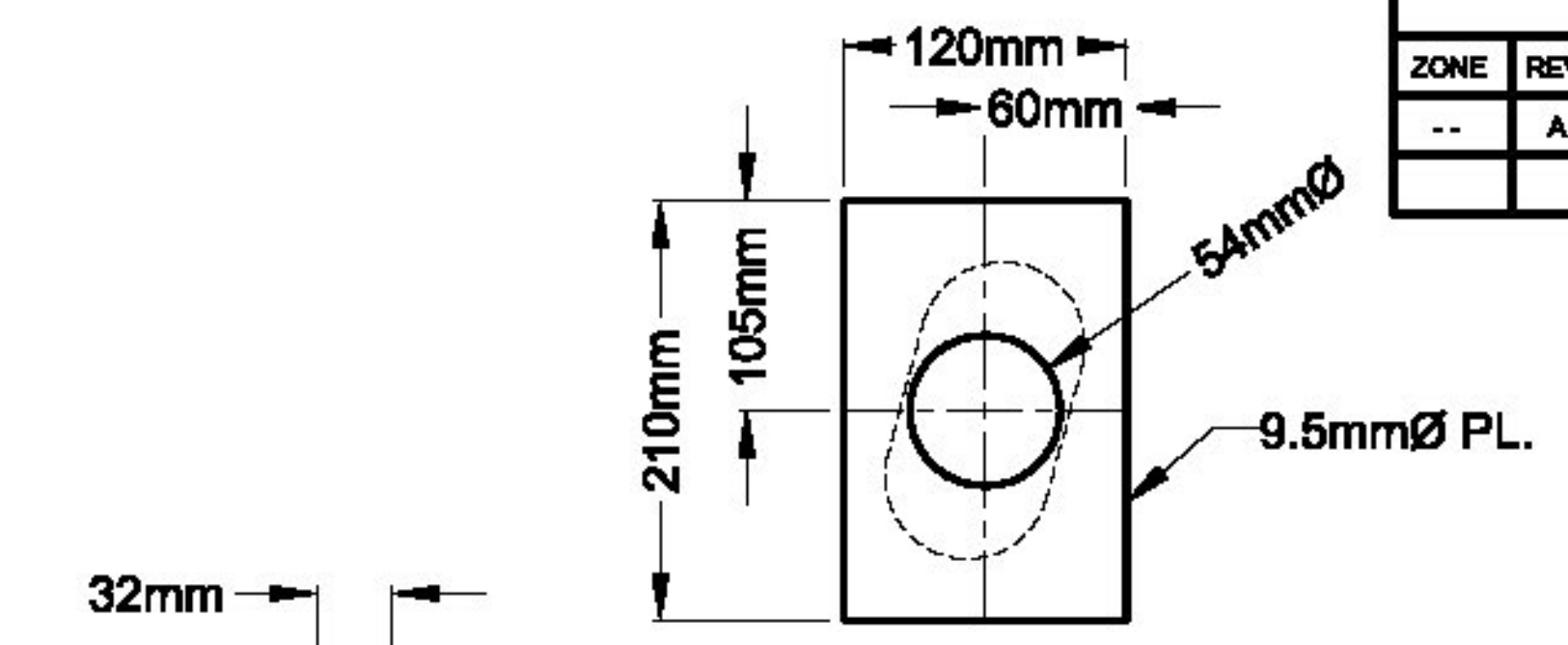
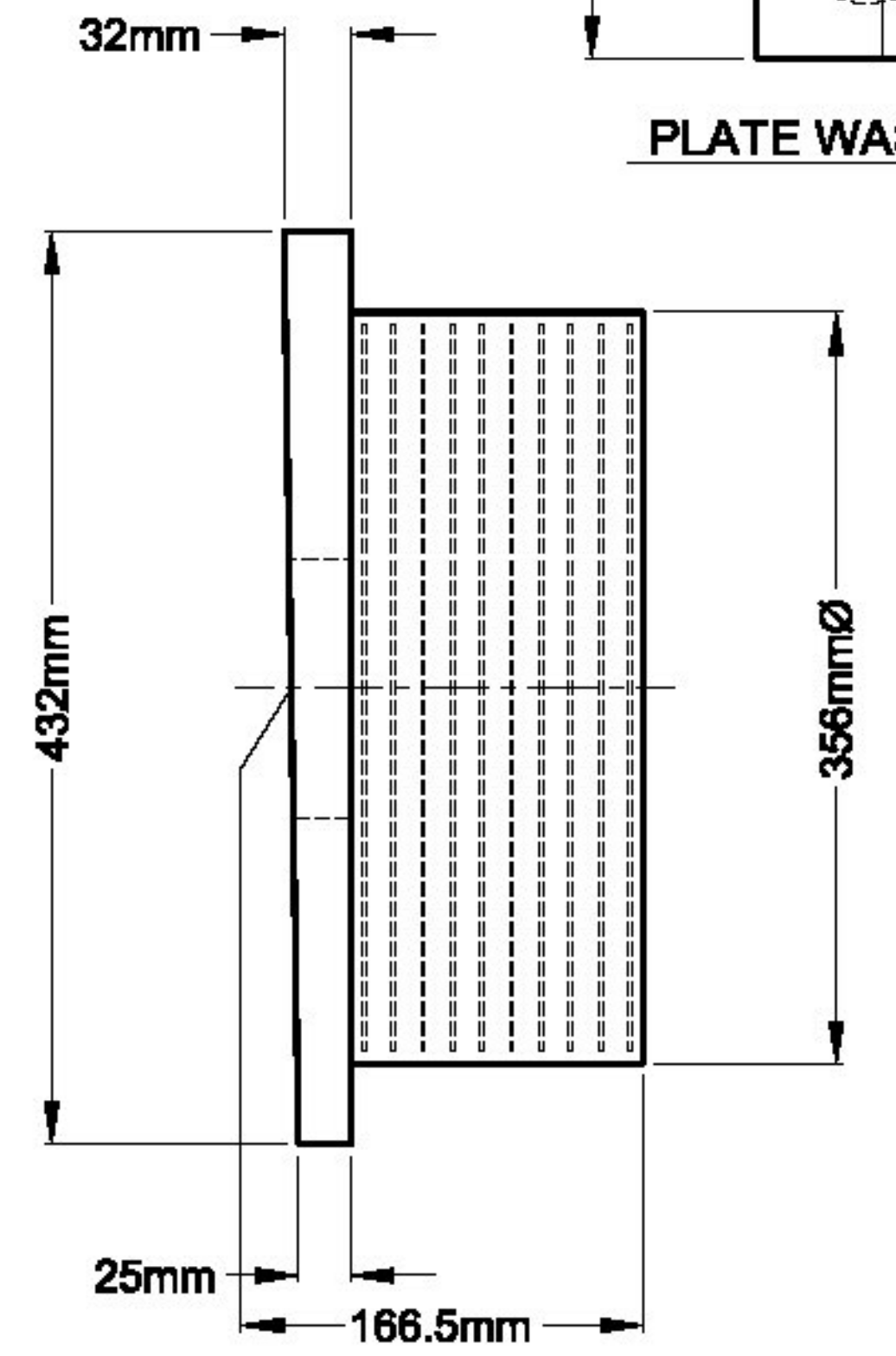
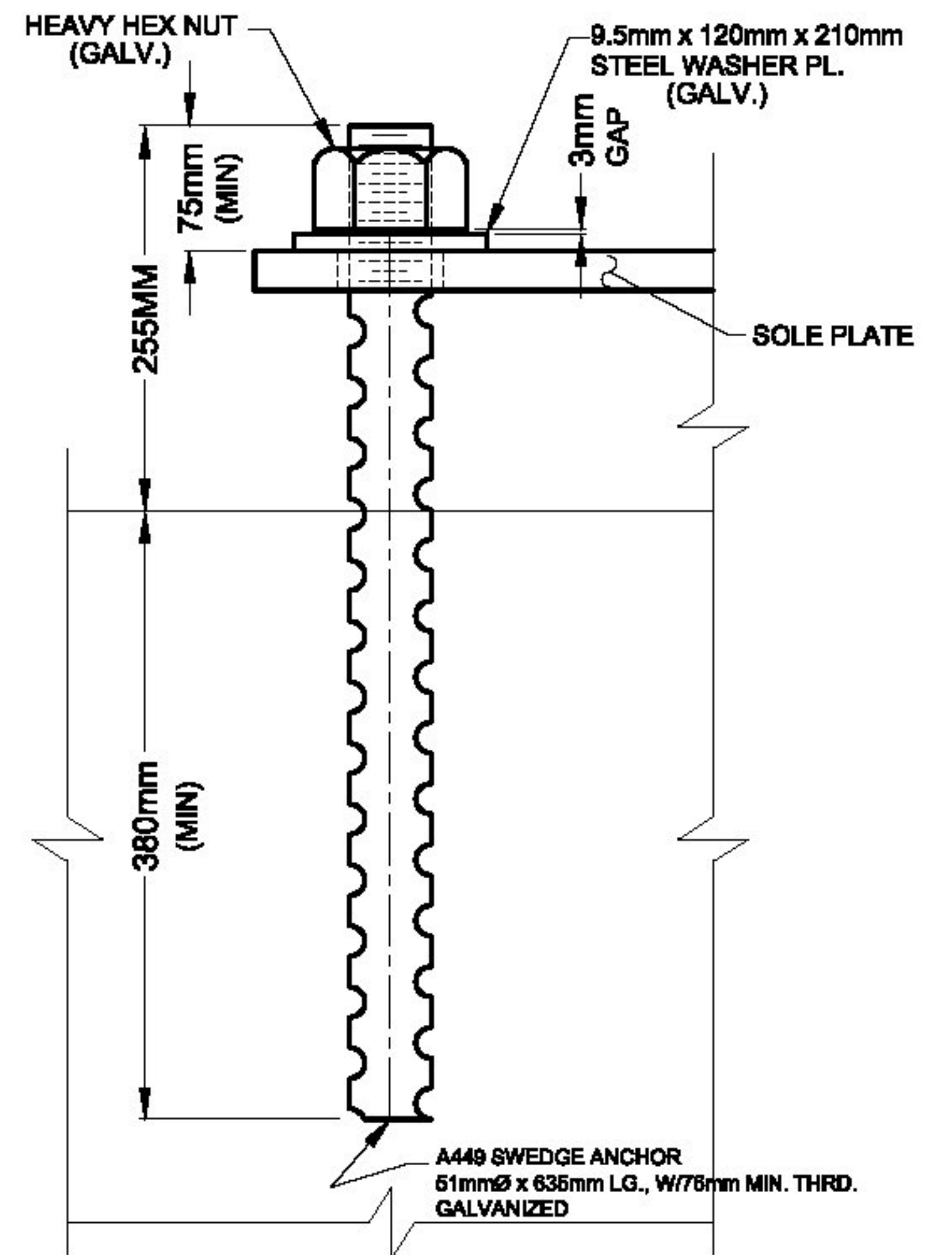


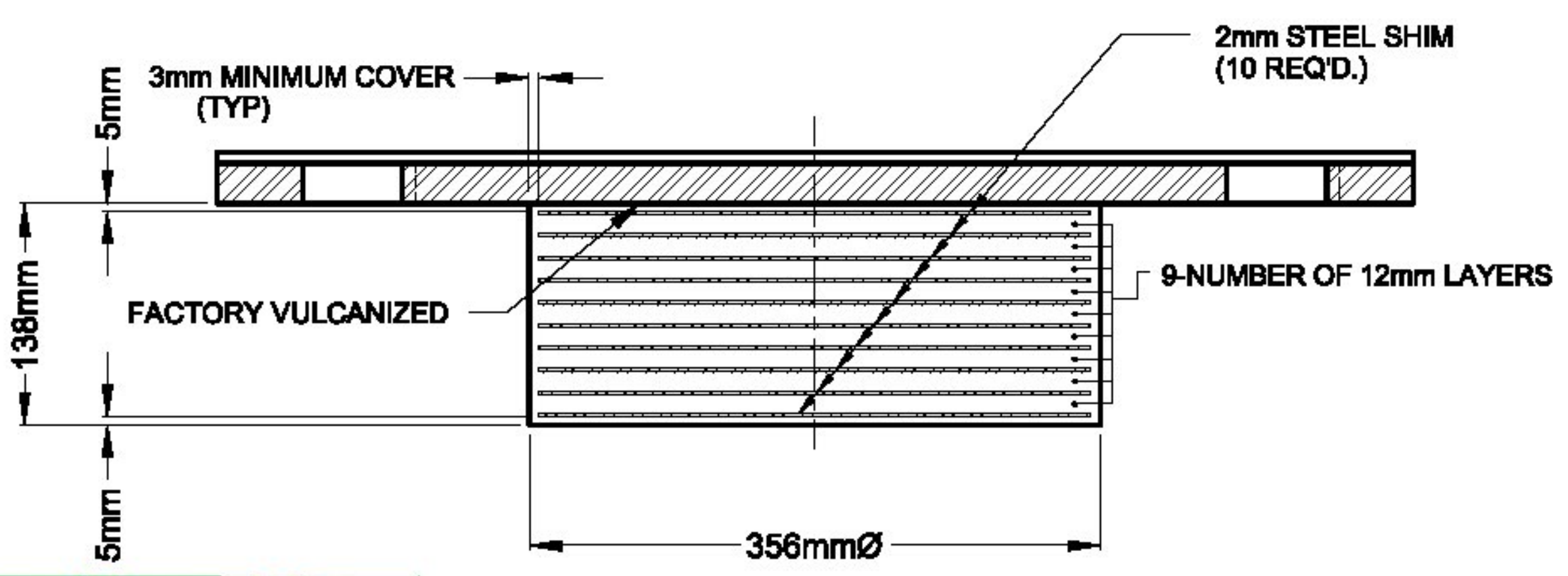
PLATE WASHER DETAIL



SIDE VIEW



ANCHOR BOLT DETAIL
 QTY. REQ'D = 8



SECTION A-A

Design Load (Kn)	Service Limit State	Vertical	Max.	507
			Min.	158
	Strength Limit State		Permanent	197
			Transverse	60
			Longitudinal	40
			Vertical	803
Translation (mm)	Service Limit State	Irreversible	Transverse	0
			Longitudinal	6
		Reversible	Transverse	13
			Longitudinal	49
Rotation (rad)	Service Limit State	Irreversible	Transverse	0.005
			Longitudinal	0.008
		Reversible	Transverse	0.000
			Longitudinal	0.004

SEE SHEET 1 OF 5 FOR NOTES.

CAMBRIDGE
 PROJECT NUMBER: BRF-027-1 (4)

STEEL LAMINATED ELASTOMERIC BEARING PAD DETAILS

AMSCOT
 STRUCTURAL PRODUCTS CORP.

SCALE: N.T.S.	APPR'D: BF	DRAWN BY: E.J.G.
DATE: 9/25/12		REVISION: A
FOR: A. L. ST. ONGE CONTRACTOR, INC.		
DWG NO: ALO12B2RA		SHEET 2 OF 5

RECEIVED

CK'D BY M.E.M. OK'D BY _____

Oct. 10, 2012

RESUBMIT APPROVED ✓

BY M.Evans-Mongeon DATE Nov. 01, 2012