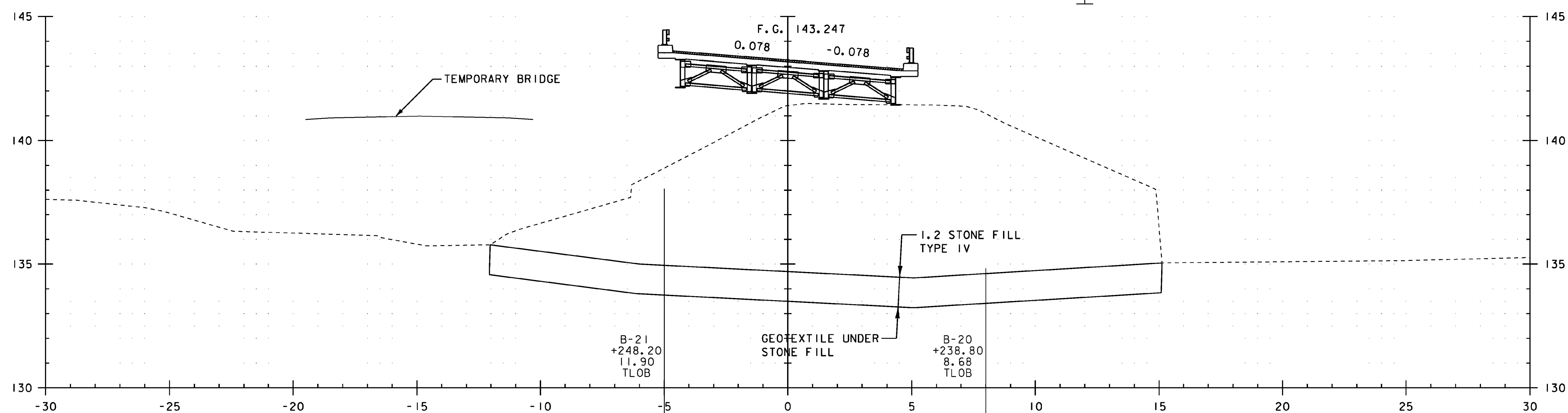


10+260.0
STA. 10+250.250 END BRIDGE



10+240.0



FROM STA 10+240.0 TO STA 10+260.0

PROJECT NAME: CAMBRIDGE	PLOT DATE: 05-JUN-2012
PROJECT NUMBER: BR 027-1 (4)	DRAWN BY: G. ROKES
FILE NAME: s78f163xs1dgn	DESIGNED BY: EVANS-MONGEON
PROJECT LEADER: M. EVANS-MONGEON	CHECKED BY: S. SCRIBNER
VT 108 - CROSS SECTION 5	SHEET 192 OF 214