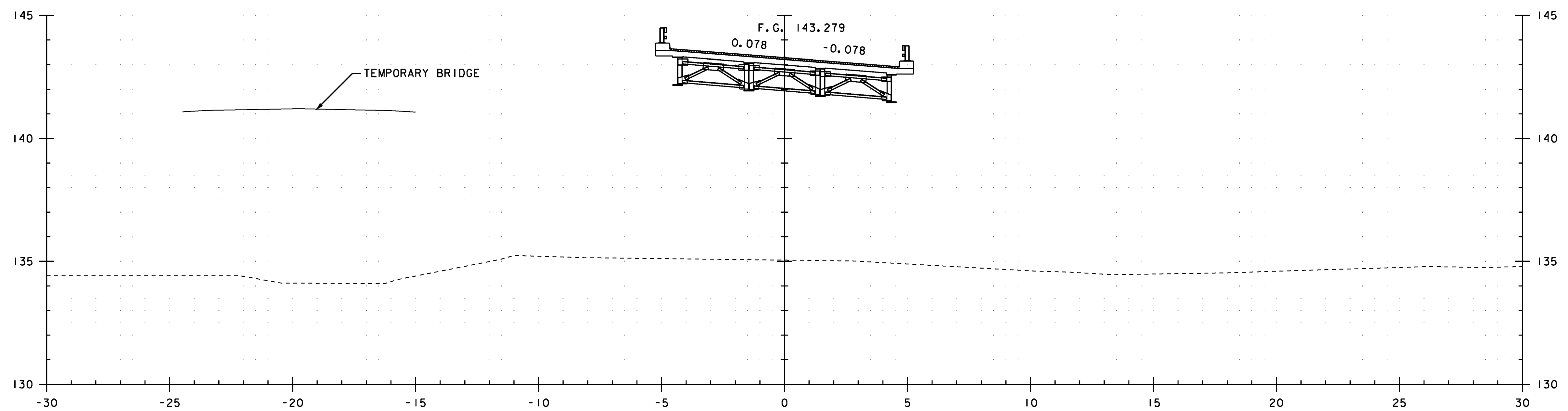


10+220.0



10+200.0



FROM STA 10+200.0 TO STA 10+220.0

PROJECT NAME: CAMBRIDGE	
PROJECT NUMBER: BRF 027-1 (4)	
FILE NAME: s78f163xs1dgn	PLOT DATE: 05-JUN-2012
PROJECT LEADER: M. EVANS-MONGEON	DRAWN BY: G. ROKES
DESIGNED BY: EVANS-MONGEON	CHECKED BY: S. SCRIBNER
VT 108 - CROSS SECTION 4	SHEET 191 OF 214