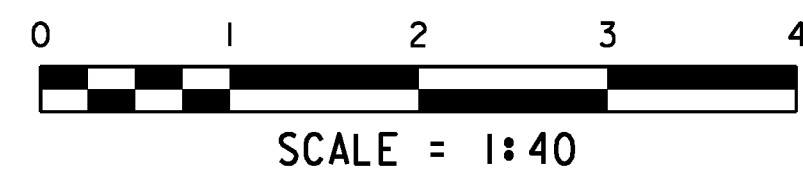
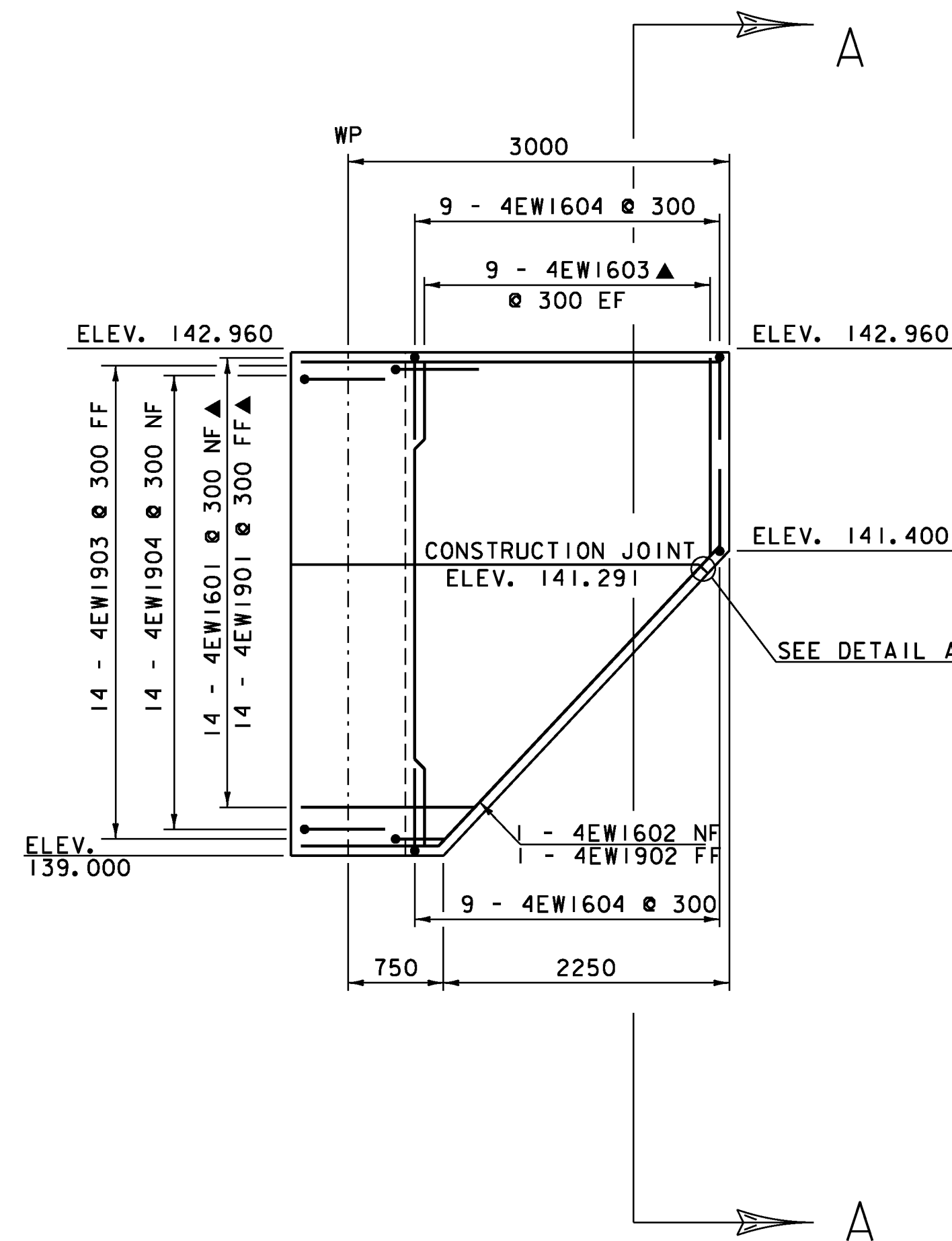


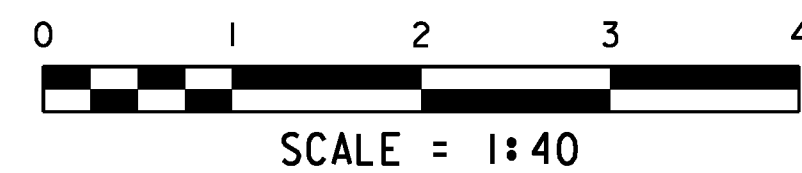
WINGWALL #3



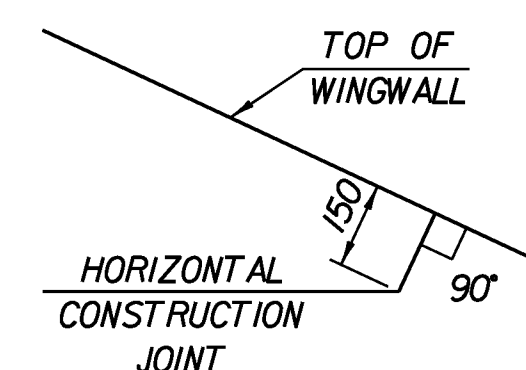
SCALE = 1:40



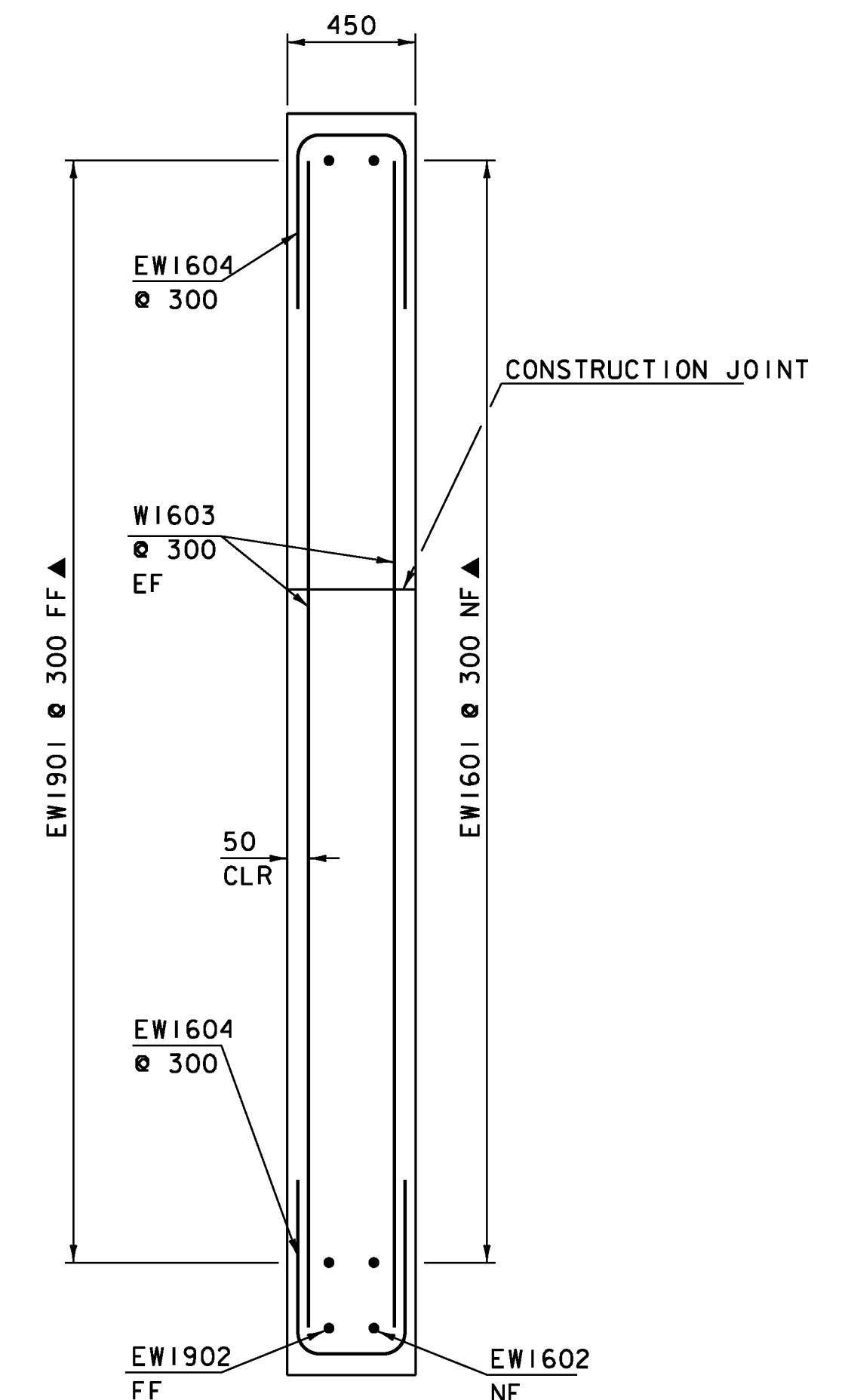
WINGWALL #4



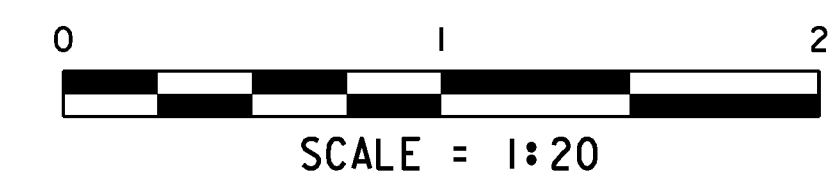
SCALE = 1:40



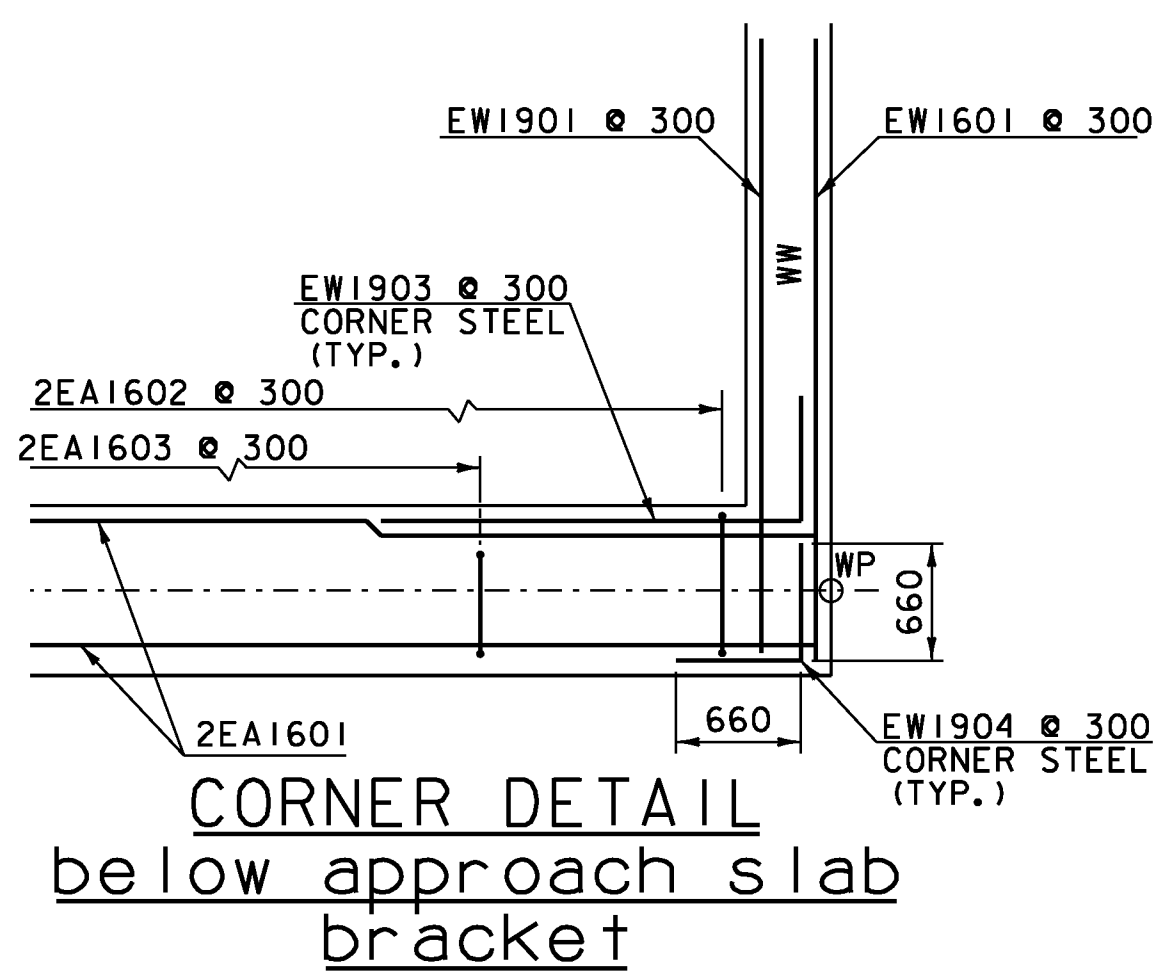
DETAIL A



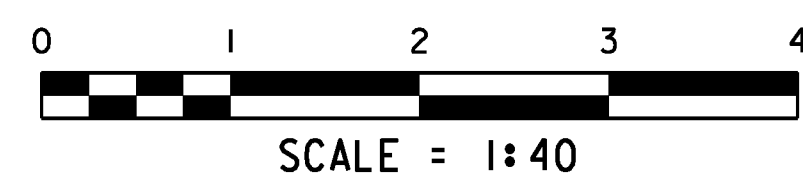
WINGWALL
TYPICAL SECTION A-A



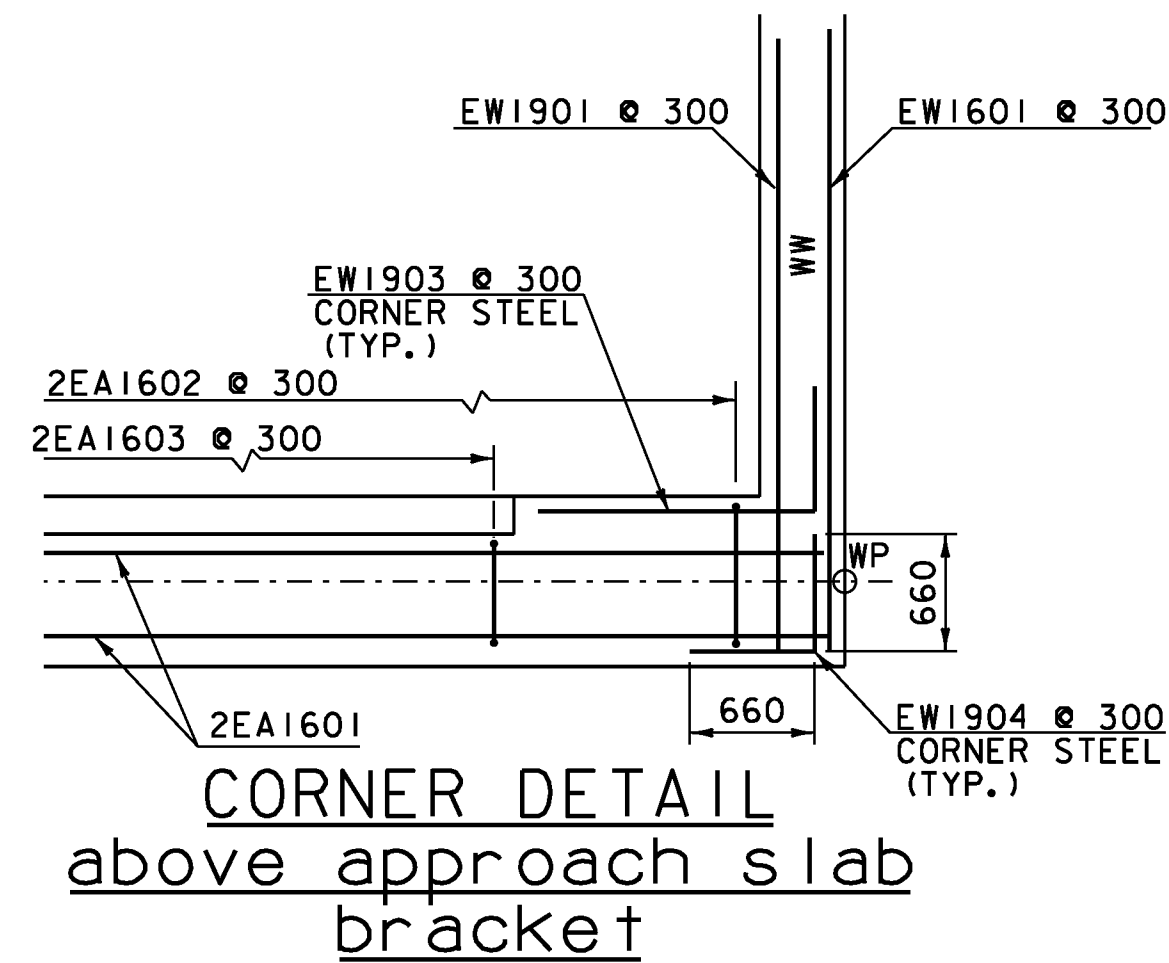
SCALE = 1:20



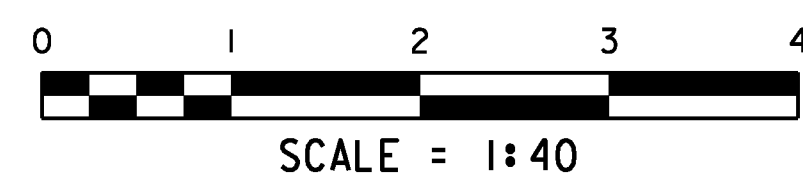
CORNER DETAIL
below approach slab
bracket



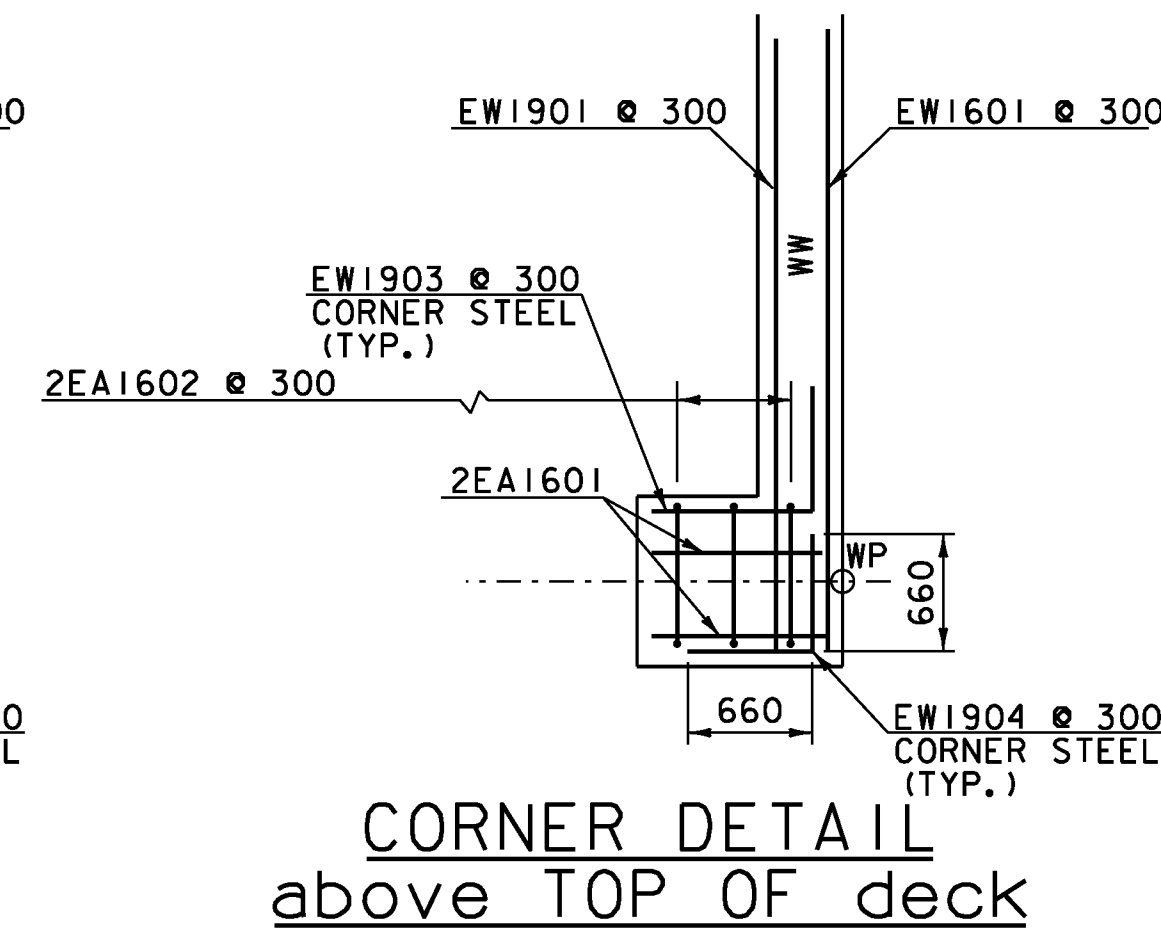
SCALE = 1:40



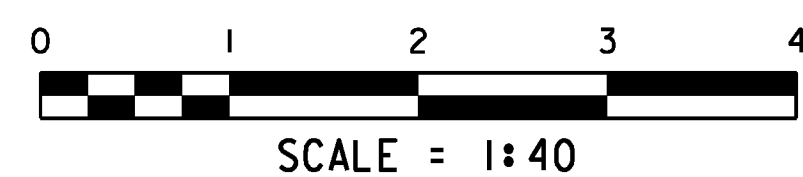
CORNER DETAIL
above approach slab
bracket



SCALE = 1:40



CORNER DETAIL
above TOP OF deck



SCALE = 1:40

NOTE:
NF = NEAR FACE
FF = FAR FACE
EF = EACH FACE
▲ = CUT TO FIT IN FIELD
80 CLEAR, UNLESS OTHERWISE
SPECIFIED ON THE PLANS.
660 BAR LAP UNLESS OTHERWISE
SPECIFIED ON THE PLANS.

PROJECT NAME: CAMBRIDGE
PROJECT NUMBER: BRF 027-1 (4)

FILE NAME: 78f163subst.dgn PLOT DATE: 05-JUN-2012
PROJECT LEADER: M. EVANS-MONGEON DRAWN BY: R. PELLETT
DESIGNED BY: T. FILLBACH CHECKED BY: T. FILLBACH
WINGWALLS #3 & #4 SHEET 180 OF 214