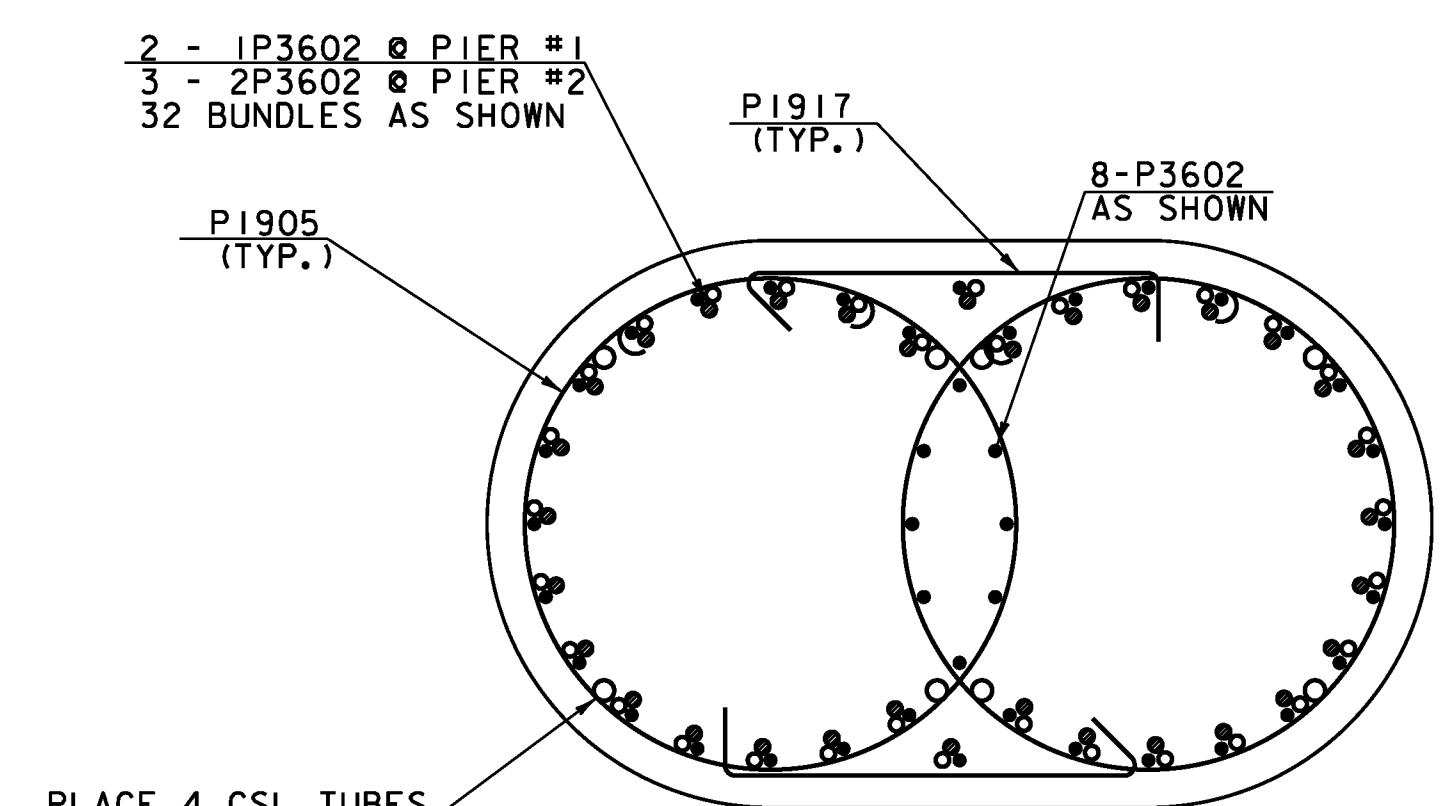


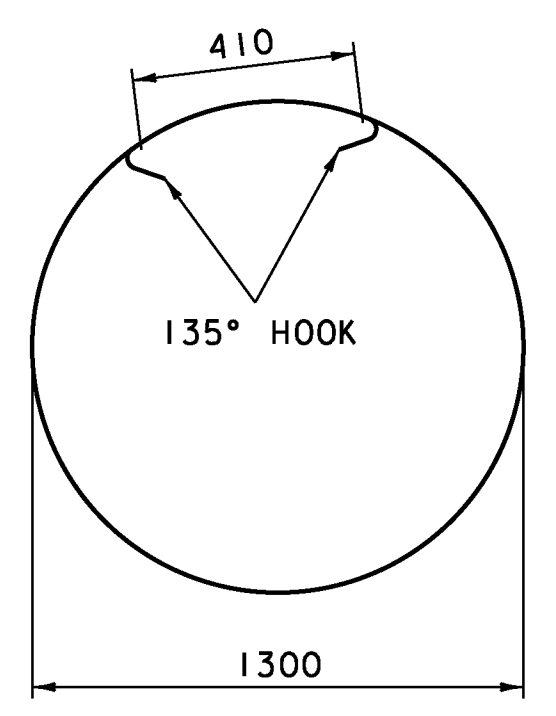
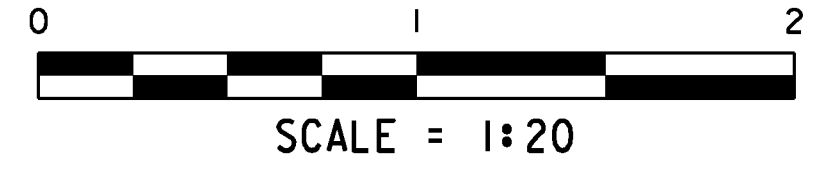
SECTION B-B  
PIER HEAD



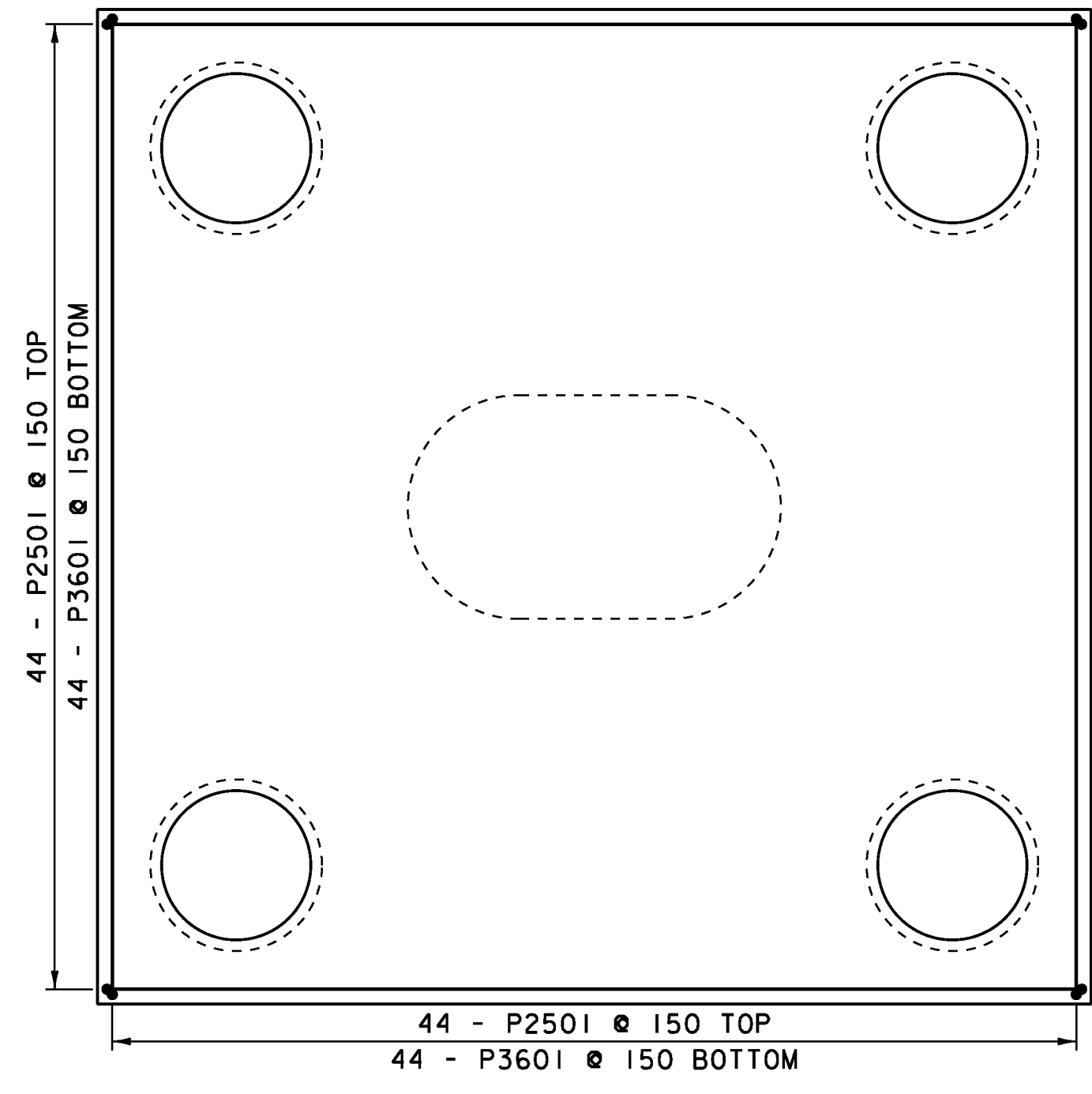
NOTES:  
THE 135 DEGREE BEND ON BAR "P1916" SHALL ALWAYS BE LOCATED CLOSEST TO THE EXTERIOR FACE OF THE PIER CAP



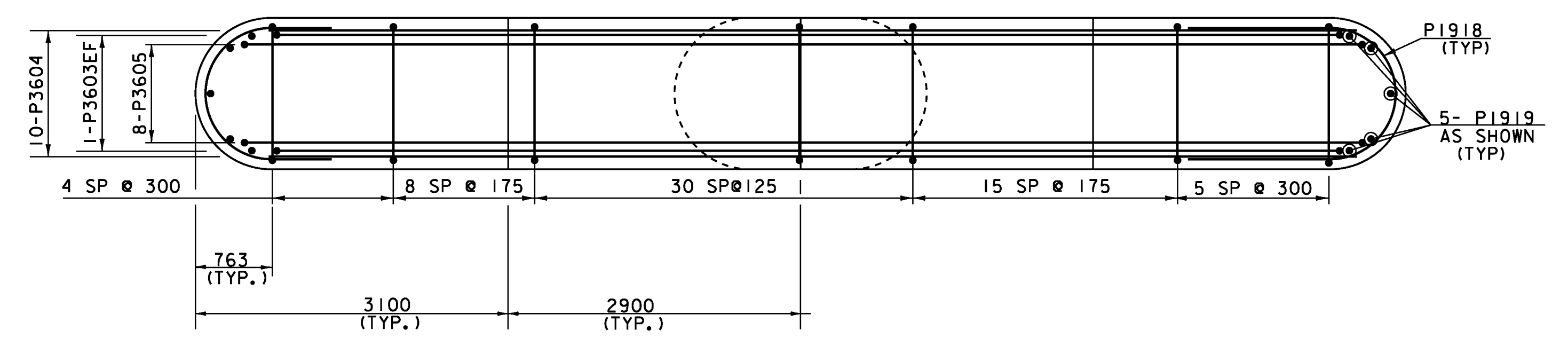
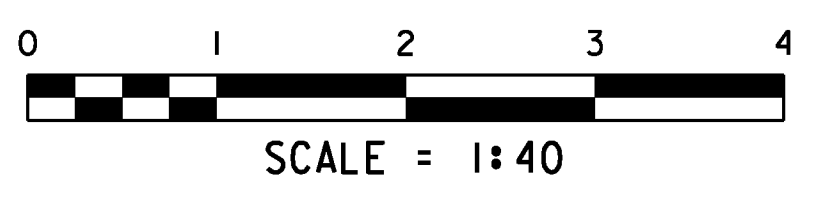
SECTION A-A  
PIER STEM  
REINFORCING  
(TYP)



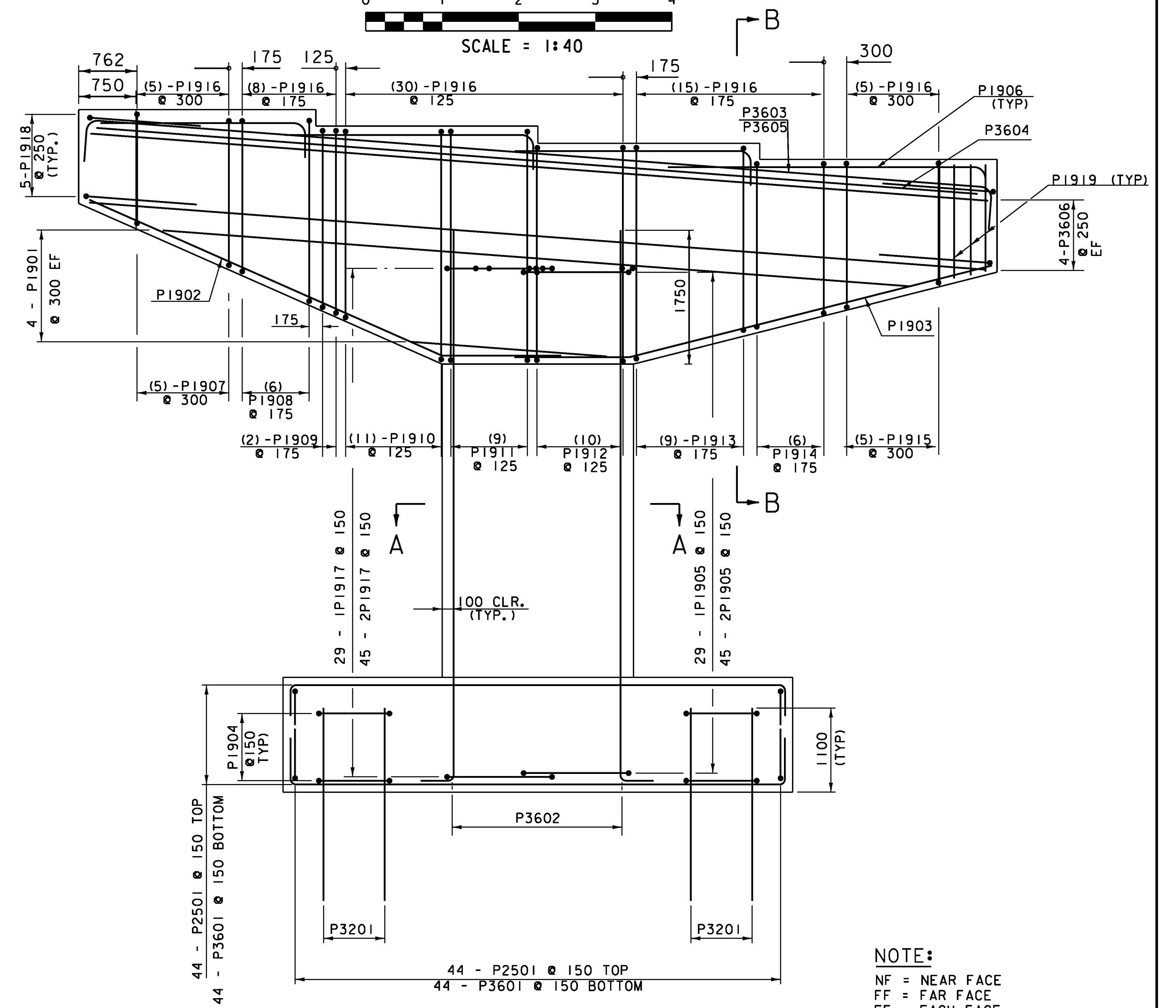
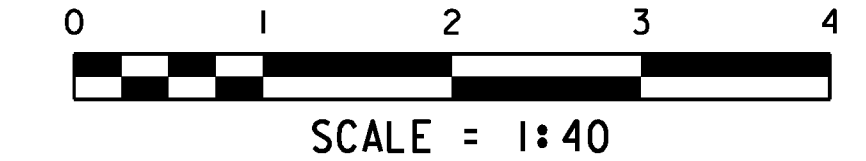
PI905 - TYPE T3



PIER FOOTING REINFORCING

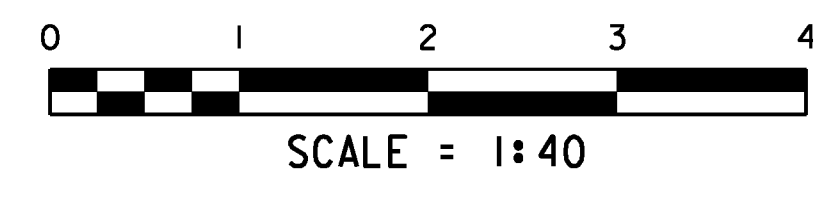


PIER HEAD REINFORCING



PIER ELEVATION REINFORCING

SEE PIER FOOTING AND SHAFTS SHEET FOR REINFORCING DETAILS



NOTE:  
NF = NEAR FACE  
FF = FAR FACE  
EF = EACH FACE  
▲ = CUT TO FIT IN FIELD  
80 CLEAR, UNLESS OTHERWISE SPECIFIED ON THE PLANS.  
660 BAR LAP UNLESS OTHERWISE SPECIFIED ON THE PLANS.

PROJECT NAME:	CAMBRIDGE	
PROJECT NUMBER:	BRF 027-1 (4)	
FILE NAME:	78f163subst.dgn	PLOT DATE: 05-JUN-2012
PROJECT LEADER:	M. EVANS-MONGEON	DRAWN BY: R. PELLETT
DESIGNED BY:	T. FILLBACH	CHECKED BY: T. FILLBACH
PIER TYPICAL		SHEET 177 OF 214