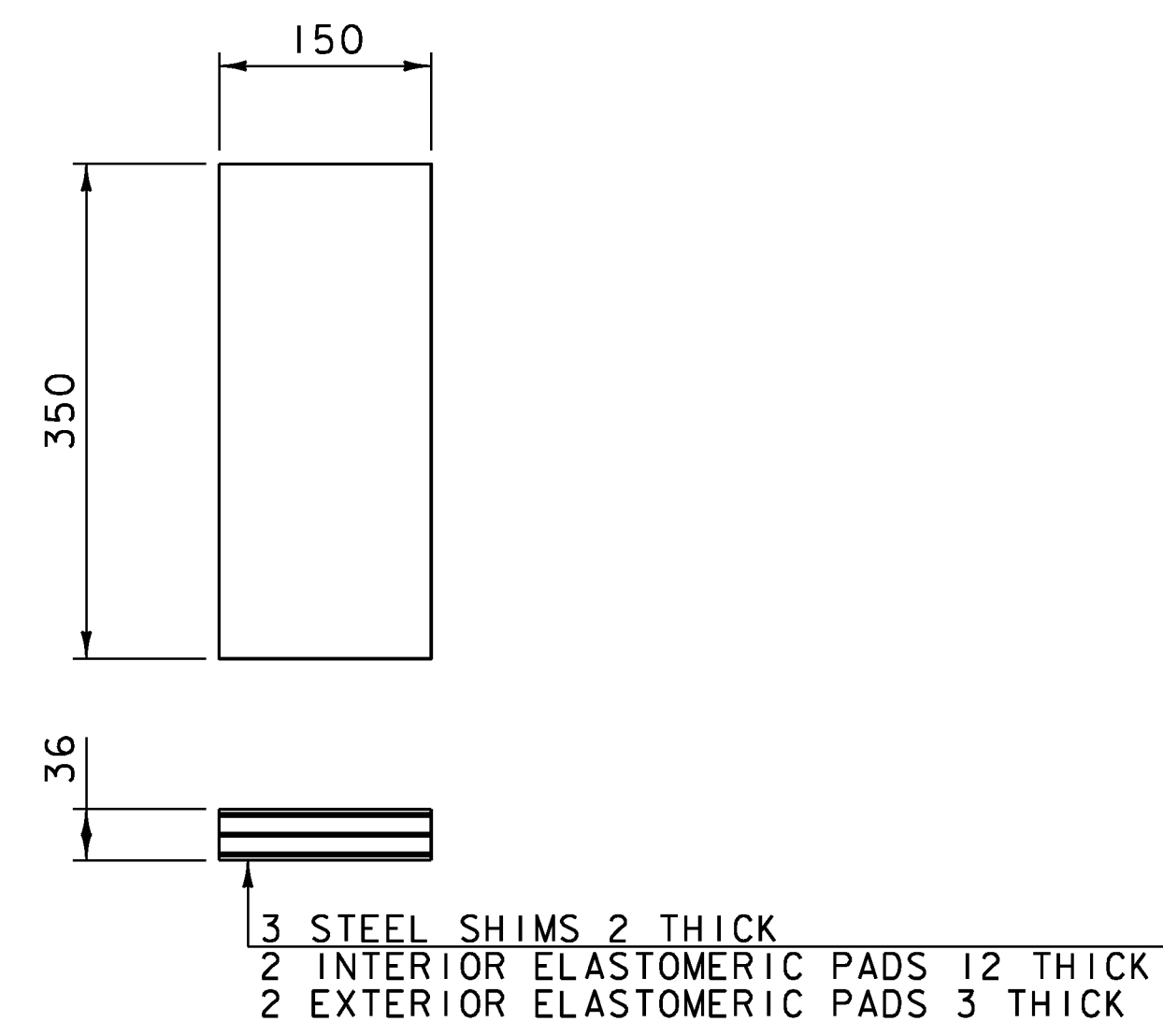
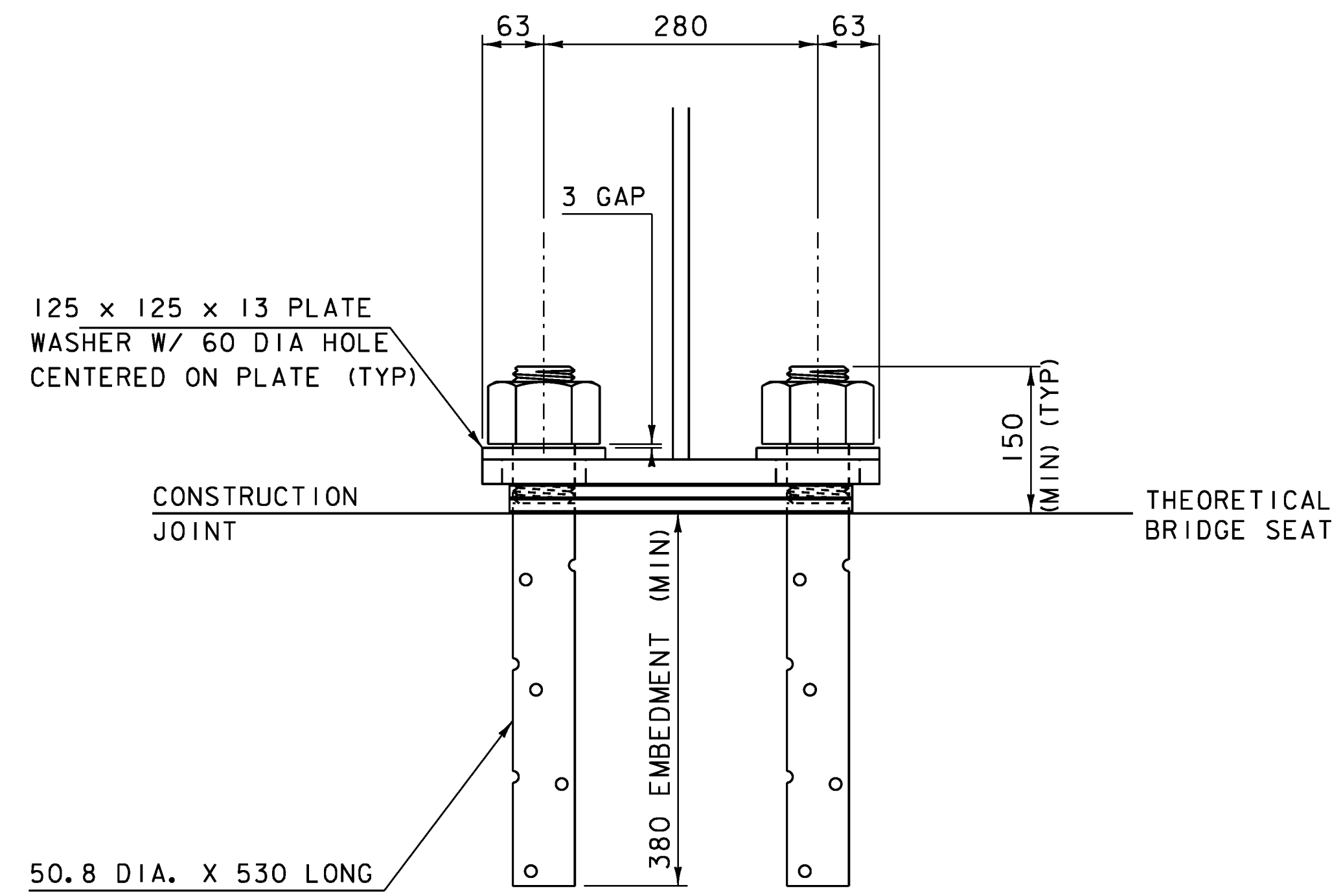


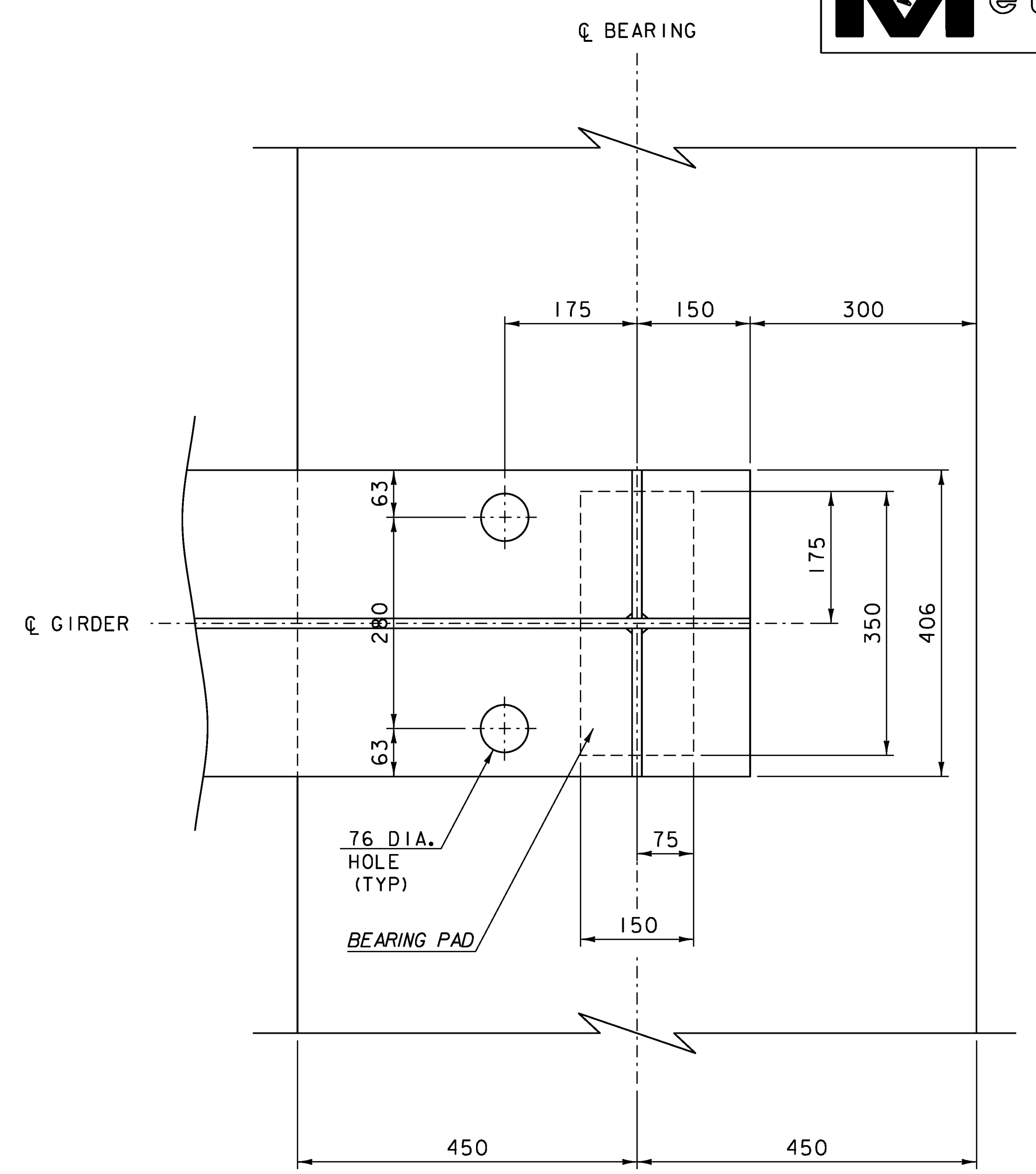
BEARING ELEVATION



BEARING PAD DETAIL

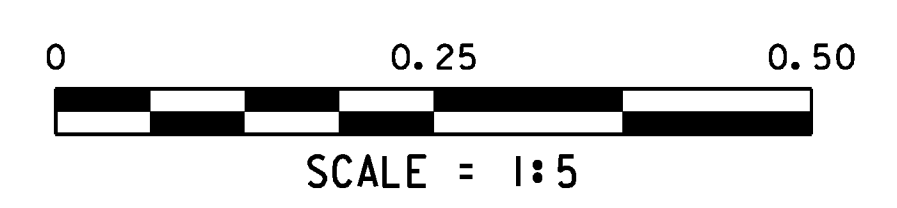


BEARING SECTIONS



BEARING PLAN

SEE ABUTMENT #1 BEARING SHEET FOR NOTES.



PROJECT NAME: CAMBRIDGE	PLOT DATE: 05-JUN-2012
PROJECT NUMBER: BRF 027-1(4)	DRAWN BY: R. PELLETT
FILE NAME: s78f163brg.dgn	DESIGNED BY: T. FILLBACH
PROJECT LEADER: M. EVANS-MONGEON	CHECKED BY: T. FILLBACH
INTEGRAL ABUTMENT BEARING DETAILS	SHEET 170 OF 214