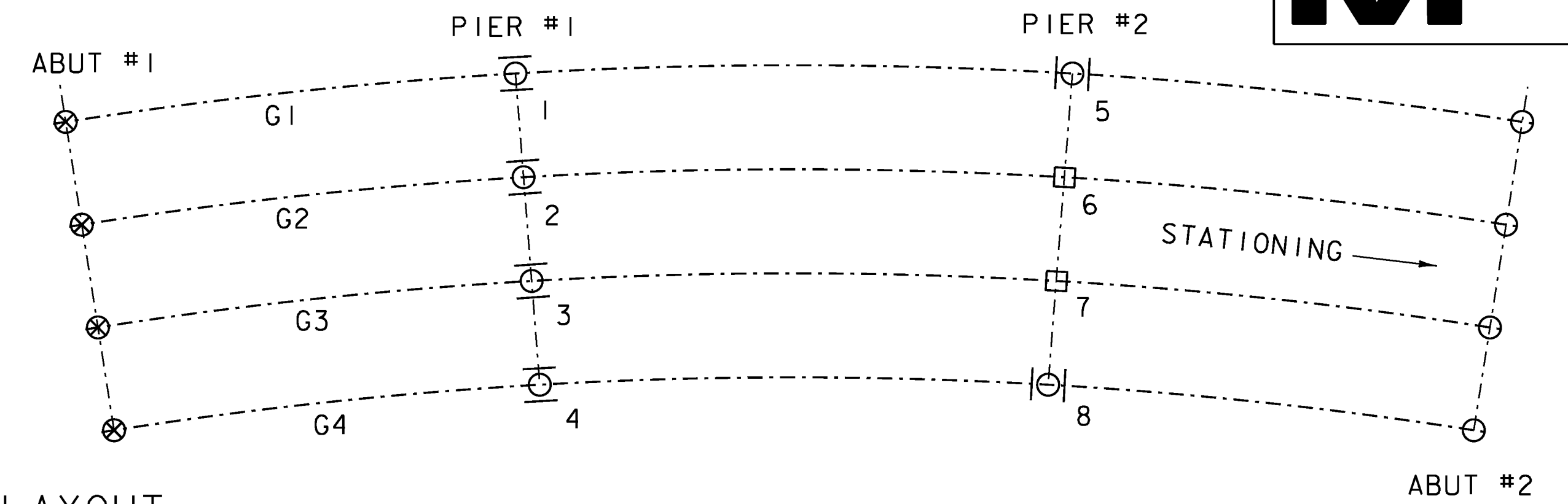
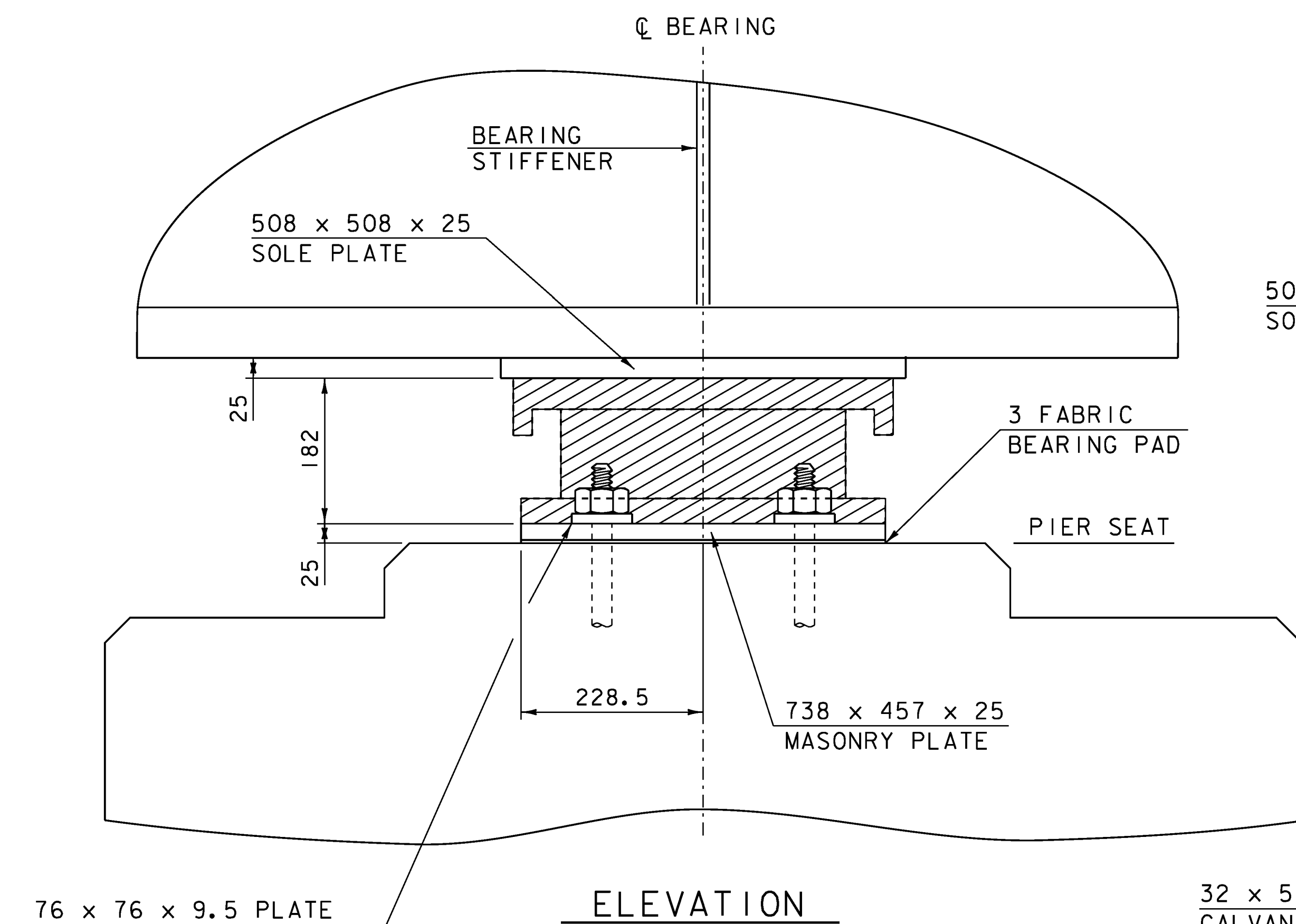


BEARING	GUIDE ANGLE
1	166° - 15'
2	171° - 25'
3	176° - 45'
4	182° - 10'
5	90° - 00'
6	NONE
7	NONE
8	90° - 00'

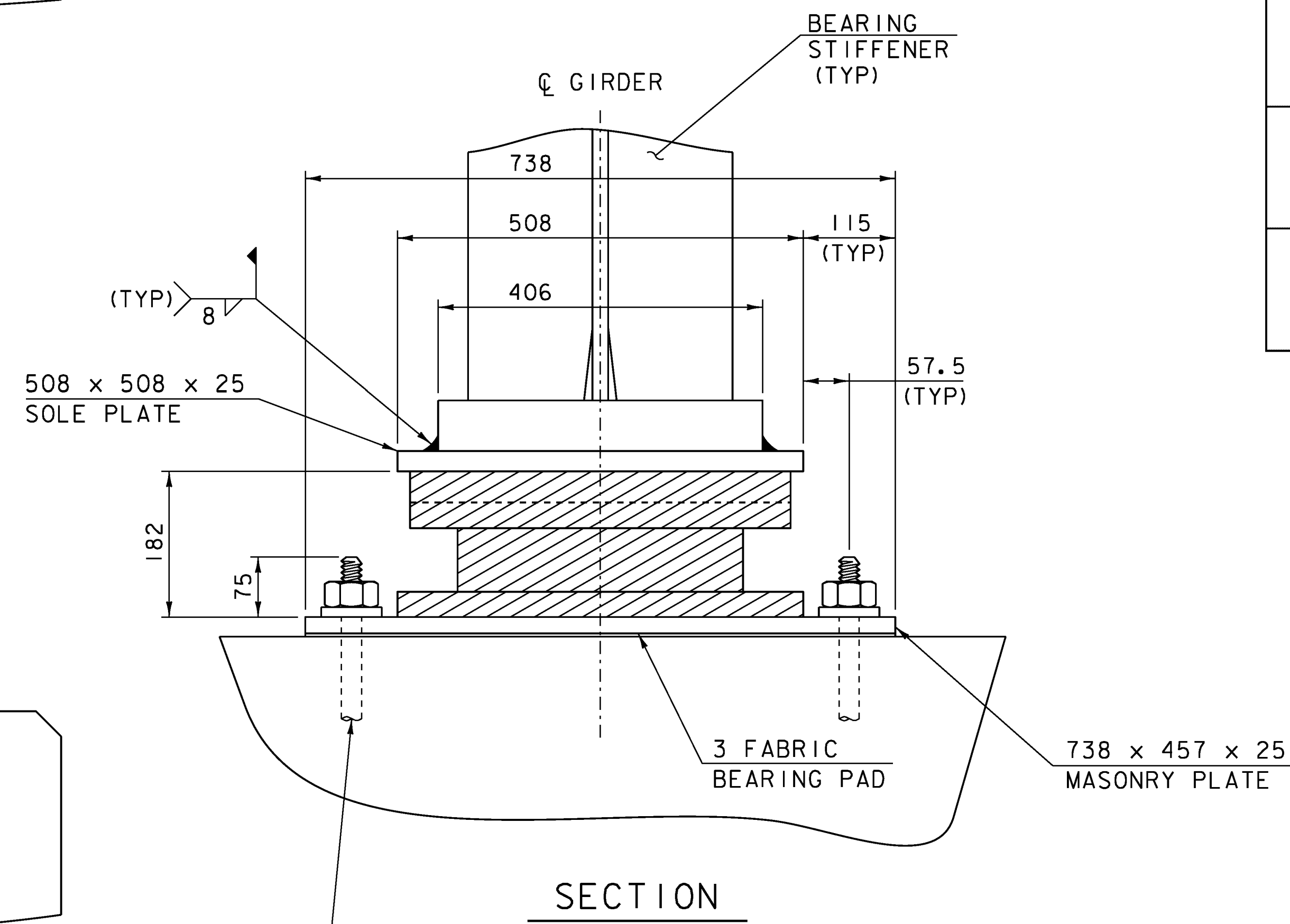


LEGEND	
□	FIXED POT BEARING
○	GUIDED POT BEARING
○	INTEGRAL ABUTMENT BEARING
⊗	ELASTOMERIC BEARING

Design Load (kN)	Service Limit State	Vertical	Max	1807
			Min	621
Design Load (kN)	Strength Limit State	Vertical	Permanent	651
			Transverse	314
			Longitudinal	40
Design Load (kN)	Strength Limit State	Vertical	Permanent	2840
			Transverse	550
			Longitudinal	168
Translation (mm)	Service Limit State	Irreversible	Transverse	0
			Longitudinal	3
Translation (mm)	Service Limit State	Reversible	Transverse	7
			Longitudinal	29
Rotation (rad)	Service Limit State	Irreversible	Transverse	0.005
			Longitudinal	0.006
Rotation (rad)	Service Limit State	Reversible	Transverse	0.000
			Longitudinal	0.003

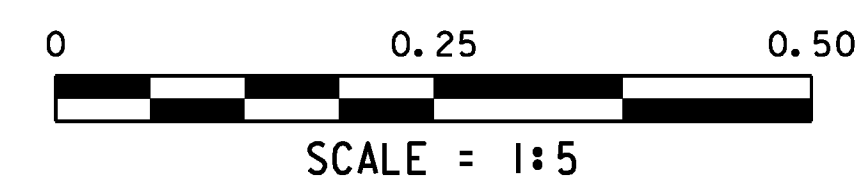


32 x 508 SWEDGED GALVANIZED ANCHOR BOLT BURR THREADS TO PREVENT NUT REMOVAL, 380 MINIMUM EMBEDMENT (TYP)



* THE CROSS HATCHED COMPONENTS OF THE POT BEARINGS ARE SHOWN FOR REPRESENTATIVE PURPOSES ONLY. THE ACTUAL CONFIGURATION OF THE COMPONENTS WILL BE DEPENDENT UPON THE BEARING FABRICATOR.

SEE ABUTMENT #1 BEARING SHEET FOR ADDITIONAL NOTES.



PROJECT NAME: CAMBRIDGE
PROJECT NUMBER: BRP 027-1(4)

FILE NAME: s78f163brg.dgn
PROJECT LEADER: M. EVANS-MONGEON
DESIGNED BY: T. FILLBACH
HIGH LOAD MULTI-ROTATIONAL BEARING

PLOT DATE: 05-JUN-2012
DRAWN BY: R. PELLETT
CHECKED BY: T. FILLBACH
SHEET 169 OF 214