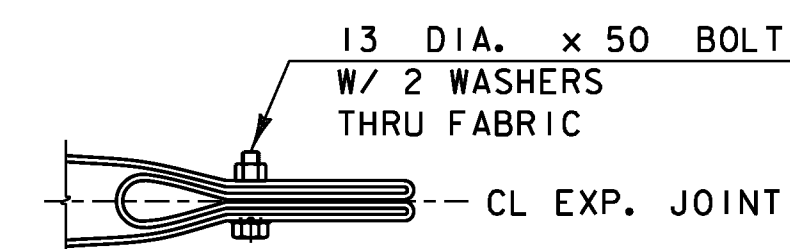
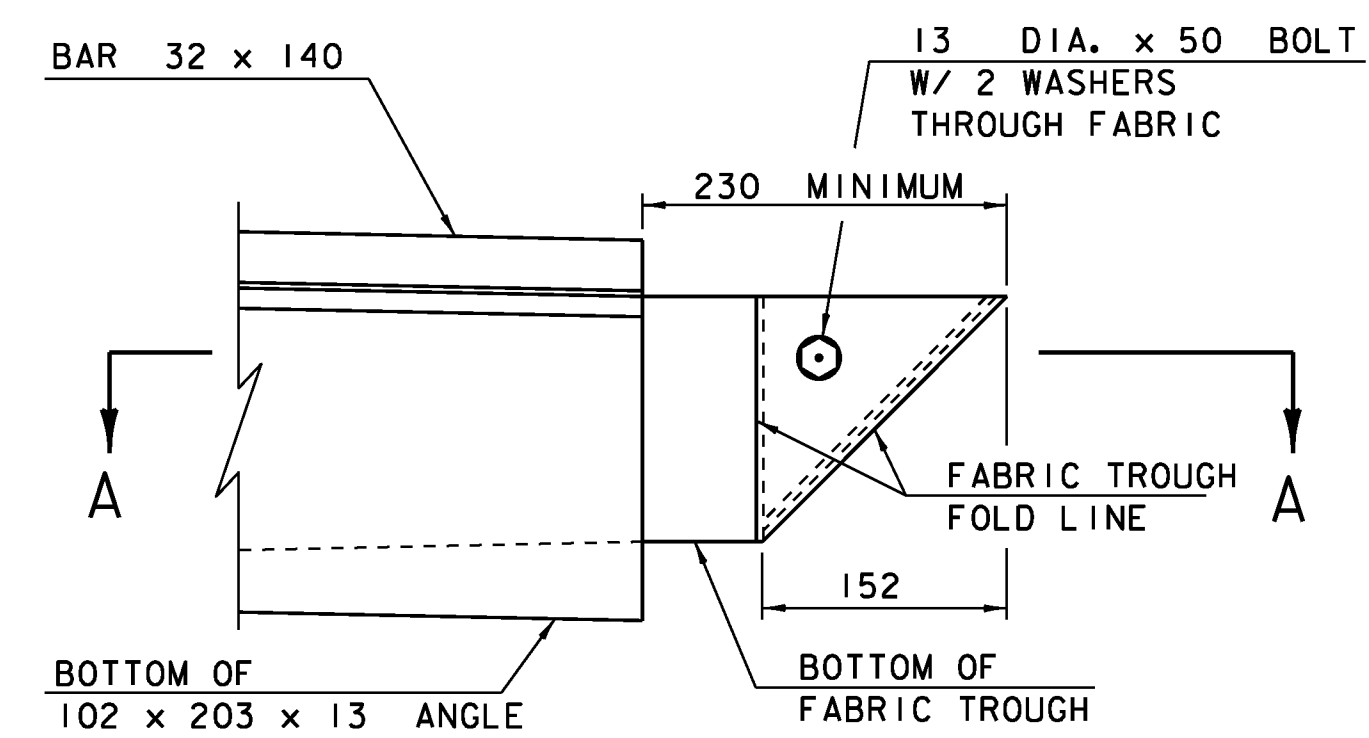


EXPANSION JOINT PLAN VIEW



VIEW A-A

NTS



ELEVATION  
FOLDED TROUGH END DETAILS

NTS

PROJECT NAME: CAMBRIDGE  
PROJECT NUMBER: BRF 027-I(4)

FILE NAME: s78f163dwspt.dgn  
PROJECT LEADER: M. EVANS-MONGEON  
DESIGNED BY: T. FILLBACH  
EXPANSION JOINT LAYOUT

PLOT DATE: 05-JUN-2012  
DRAWN BY: R. PELLETT  
CHECKED BY: T. FILLBACH  
SHEET 165 OF 214